

Additional Resources

Datto's Partner Portal (partners.datto.com) is the place to go for everything Datto. The Partner Portal includes:

- **Datto Knowledge Base** (kb.datto.com) - technical articles to help you with all of your Datto Networking needs
- **MarketNow** (datto.com/marketnow) - your very own Marketing Automation Platform
- **Sales Resources** - Sales Playbooks, MSPeasy eBooks and videos, etc.

Your dedicated Channel Account Manager can help with sales and planning questions along the way. If you need additional help, the Datto Support Team is here for you 24/7/365.

Contact Us

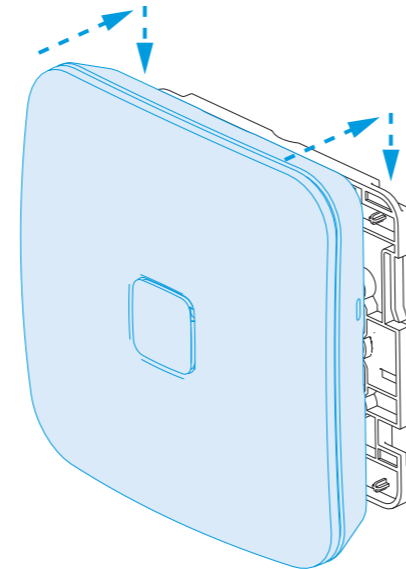
support@datto.com
 North America: +1.877.455.6015
 EMEA: +44.(0).118.402.9609
 Australia/New Zealand: +61 (02) 8015 6826



For more information, visit www.datto.com/networking
 © 2017 Datto Inc. All rights reserved.

Unmounting Directions

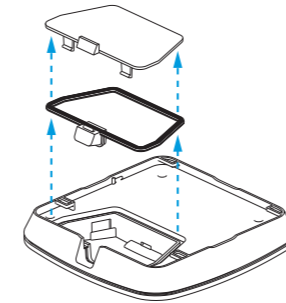
To unlock, insert a small, flat screwdriver into the Mount Release Hole on the side of the access point. Slide the access point upwards until it disengages from the mounting plate.



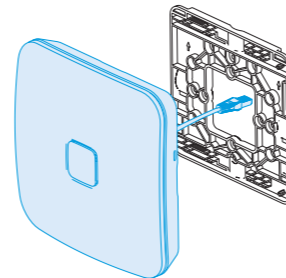
Ethernet or Junction Box Mount

This access point can be mounted to any junction box for secure installations in hotel and resort guest rooms, dorms, care facilities and more.

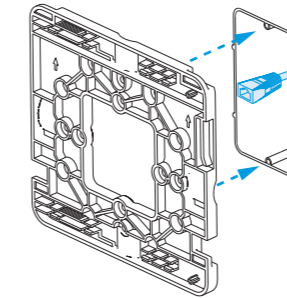
1) Remove rear door and seal.



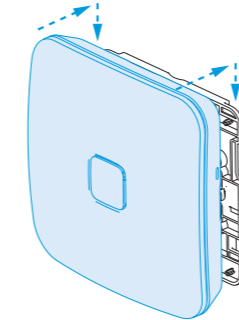
3) Connect included slim ethernet cable from device (Port 1) to connection in wall.



2) Mount flat side of plate to junction box.



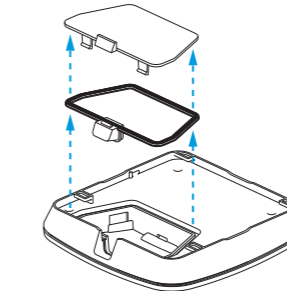
4) Slide device down plate to lock in place.



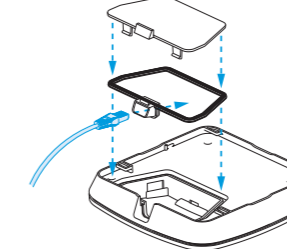
Outdoor Mount

This access point can be configured as an outdoor model and mounted to any wall or pole. This configuration protects against the sun, rain and dust. Operating temperatures for this access point range from 0°C to 50°C.

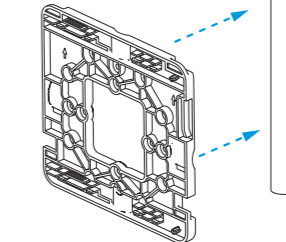
1) Remove rear door and seal. Peel plastic tab off from door.



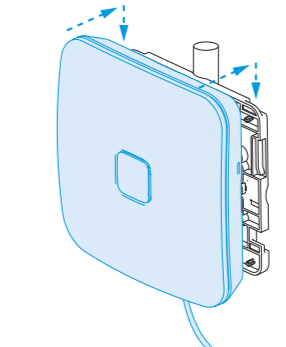
3) Place ethernet cable through seal and connect to device (Port 1). Reinstall seal and back cover.



2) Secure flat side of mount to outdoor fixture. Arrows on plate pointing upwards.



4) Slide device down plate to lock in place.



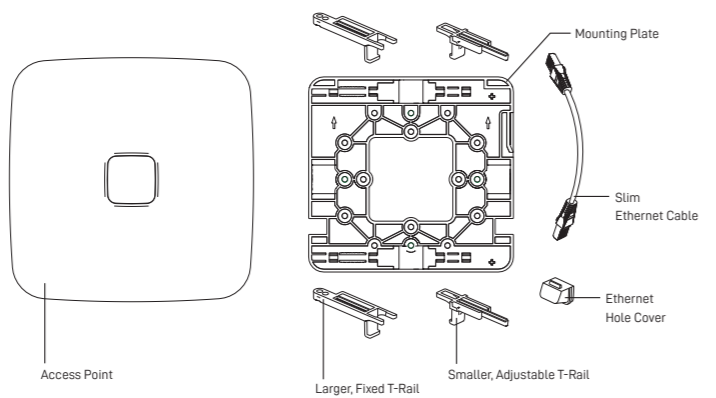
© 2017 Datto Inc. All rights reserved.

Cloud Management

1. Sign in to **networking.datto.com**. Click **Add New** button.
2. Create a new network by navigating to **All Networks > Create Network**, or select an existing network on the **All Networks** page.
3. On the left menu, navigate to **Access Points**. Click **Add New** and enter the MAC address. Use the drop-down arrow to enter multiple MAC addresses at once or upload a CSV file.
Repeat this process to add as many access points as required.
4. Connect device to internet over ethernet or an existing Datto mesh network. The device will then configure and start reporting status within a few minutes.

What's in the Box

- (1) Access Point
- (4) T-Rail Clips (ceiling rail mount)
- (1) Slim Ethernet Cable (for wall or junction box mount)
- (1) Mounting Plate
- (1) Ethernet Hole Cover

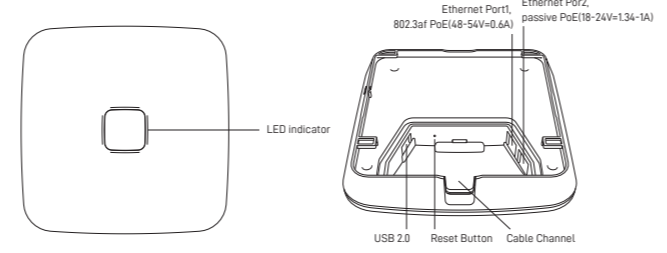


Physical Installation

This access point is designed to be installed indoors or out, in several mounting positions. Regardless of how you mount this access point, keep the following in mind:

- 802.3af PoE input is required. Connect to any Datto Networking Switch, an 802.3af-compatible PoE switch or PoE injector.
- Place in the center of the room and away from any metallic surfaces.
- Signal primarily radiates to the front and sides. There is limited signal coverage directly behind it.
- Do not place heavy objects on the access point.
- Install in an area free from strong electromagnetic sources.
- Check the Ethernet cables to ensure they are fully secured to both the access point and PoE injector or switch.
- Do not install this access point in plenum spaces. Use the ceiling mount instead.

Access Point Overview

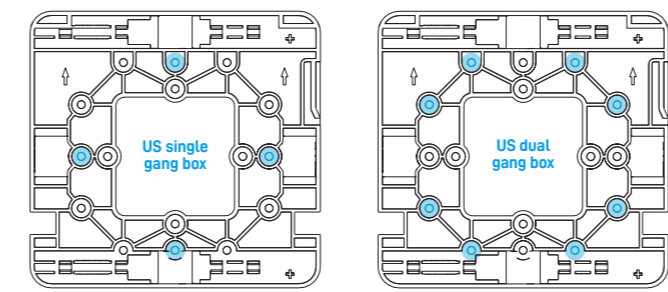


Note: Ethernet port 1 is PoE input. The pass-through port (Ethernet 2) is data only. No power is passed through the second port.

LED Light States

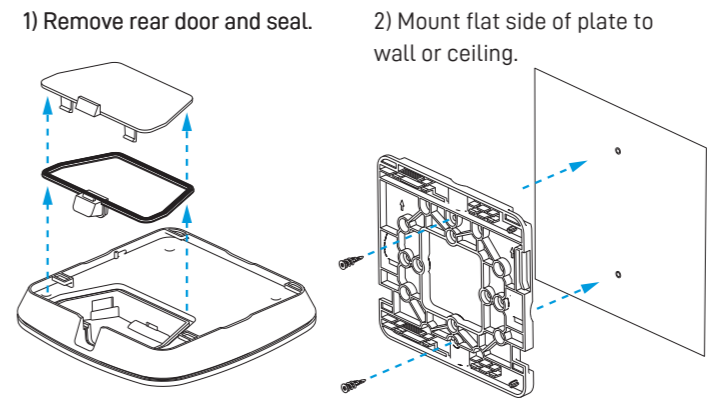
STATE	LIGHT COLOR
Online, Mesh Speed >2Mbps	Solid Blue
Online, Mesh Speed <=2Mbps	Flash Blue
Boot Loader	Solid Purple
Booting Up	Solid Yellow
Firmware Upgrade	Solid Red
CloudTrax Checkin Failure	Flash White
Key Re-pair	Flash Yellow
Configuration Change AP not ready	Solid White
Net Failure - no default route	Flash Red

Mounting Bracket Overview



Wall or Solid Ceiling Mount

Attach the universal mounting plate to any solid surface (screws are not included).



T-Rail Ceiling Mount

For attaching to drop ceiling T-Rail or other T-Rail System.

