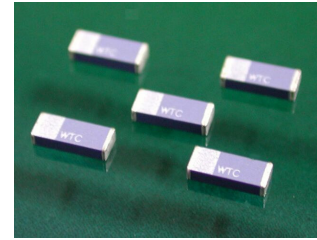


# Broad Band Ceramic Antenna

## RFANT5220110A0T Series



LTCC Multi Layer Chip Antenna  
 – Broad Band Type  
 For ISM Band 2.4GHz Application

Patent Pending

### FEATURES

- Surface Mounted Devices with a small dimension of 5.2 x 2.0 x 1.1 mm<sup>3</sup> meet future miniaturization trend.
- Embedded and LTCC (Low Temperature Co-fired Ceramic) technology is able to future integrate with system design as well as beautifying the housing of final product.
- High Stability in Temperature / Humidity Change

### ELECTRICAL CHARACTERISTICS

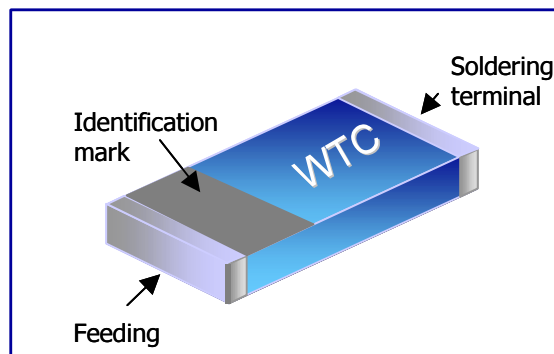
Item	Specification
Central frequency	2.450 GHz (Note-1)
Bandwidth	150MHz (typical)
Gain	0 ~ 2 dBi
VSWR	2 max.
Polarization	Linear
Azimuth Beamwidth	Omni-directional
Impedance	50Ω

\*Note 1. Central Frequency should be defined after customers' application approval.

### APPLICATIONS

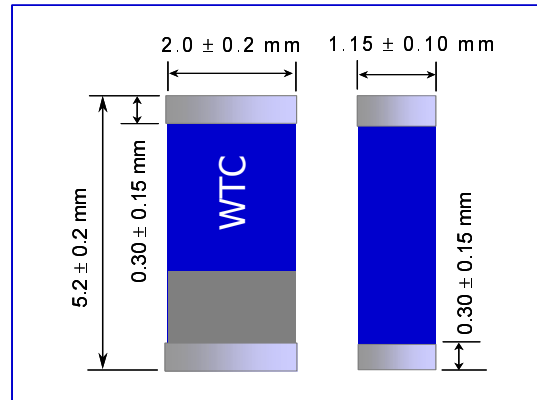
- Bluetooth
- Wireless LAN
- HomeRF
- ISM band 2.4GHz applications.

### CONSTRUCTION

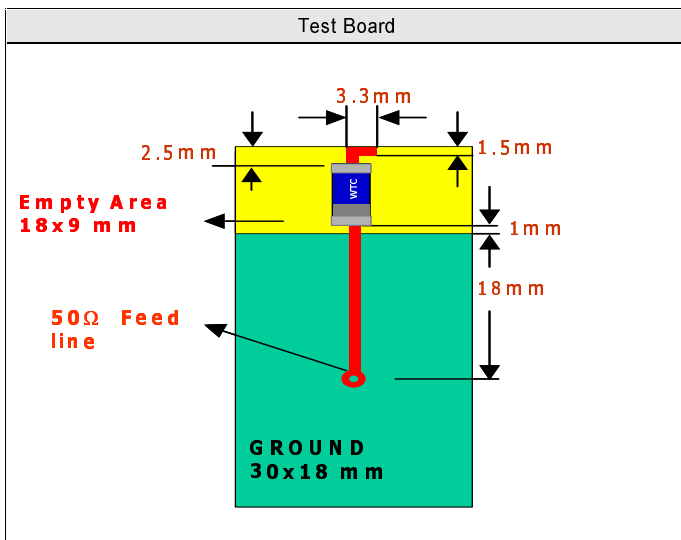


Outline of 2.4GHz Chip Antenna

### DIMENSION



### Test Board



### Insertion Loss (S11)

