



TRM-300 409-470 MHz IDENTIFICATION LABELS

PRODUCT: TRM-300 409-470 MHz

CODE: D288Y21N1PT

VERSION: 03

REVISION: 00

DATE: 19/11/2013

CLASSIFICATION:

General information

Internal document

DOCUMENT MAINTENANCE

THIS DOCUMENT HAS 5 PAGES

EDIT.	DATE	AUTHOR	DESCRIPTION
1.0	29/06/2012	Juan Luis Romera	First release.
2.0	05/11/2013	Juan Luis Romera	Changes in the TRM-300 identifying label: 1) Code "MN:" added before TRM-300 name. 2) Symbol ":" added before "IC" and "FCC ID".
3.0	20/11/2013	Juan Luis Romera	ICES-003 Compliance Label added.



TRM-300 409-470 MHz IDENTIFICATION LABELS

Code: TRM-300_IDLABEL_410

Date: 20/11/2013

Page: 2 of 5

PowerTrunk Inc. is the subsidiary of Teltronic S.A.U. responsible for business development, distribution and customer support for Teltronic's Land Mobile Radio products in North America. The company is headquartered in New York City. Teltronic S.A.U. distributes the same products for Land Mobile Radio under different trademarks and brand names in other regions of the world.

Disclaimer

Although every reasonable effort has been made to ensure the accuracy of the information contained herein and any other referred document, this should not be construed as a commitment on the part of Teltronic S.A.U. and/or PowerTrunk Inc., and the liability of Teltronic S.A.U. and/or PowerTrunk Inc. for any errors and omissions shall be limited to the correction of such errors and omissions. Teltronic S.A.U. and/or PowerTrunk Inc. welcomes any comment as a way to improve any delivered documentation.

The information contained herein has been prepared for the use of appropriately trained personnel, and it is intended for the purpose of the agreement under which the information is submitted. Any party using or relying upon this information assumes full responsibility for such use and in no event shall Teltronic S.A.U. and/or PowerTrunk Inc. be liable to anyone for especial, collateral, incidental, or consequential damages in connection with or arising out of the use of this information.

The information or statements given in these documents regarding the suitability, capacity or performance of the mentioned hardware or software products cannot be considered binding but shall be defined in the agreement made between Teltronic S.A.U. and/or PowerTrunk Inc. and the customer.

Teltronic S.A.U. and/or PowerTrunk Inc. reserves the right to revise these documents and to make changes to its content at any time, without prior notification.

Copyrights

No part of the information contained herein and the other referred documents may be copied, distributed or transmitted by any means to any other party without prior written permission of Teltronic S.A.U. and/or PowerTrunk Inc. The distribution of this document may be also covered by NDA (non-disclosure agreement) between Teltronic S.A.U. and/or PowerTrunk Inc. and the receiver.

Please also note that part of these contents even may be covered by patent rights.

This document, the referred documents and the described product are considered protected by copyright according to the applicable laws.

PowerTrunk and the PowerTrunk logo are registered trademarks of Teltronic S.A.U.

Copyright © PowerTrunk Inc. All rights reserved.



**TRM-300 409-470 MHz
IDENTIFICATION LABELS**

Code: TRM-300_IDLABEL_410

Date: 20/11/2013

Page: 3 of 5

CONTENTS:

1. INTRODUCTION.....	4
2. LABELS.....	4
3. LOCATION OF THE LABELS	5



TRM-300 409-470 MHz IDENTIFICATION LABELS

Code: TRM-300_IDLABEL_410

Date: 20/11/2013

Page: 4 of 5

1. INTRODUCTION

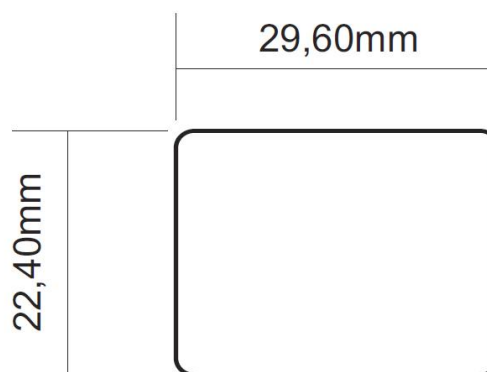
There are three identification labels that are located on the front part of the TRM-300 409-470 MHz.

2. LABELS

Label 1:

Material: Polyester film laminate.

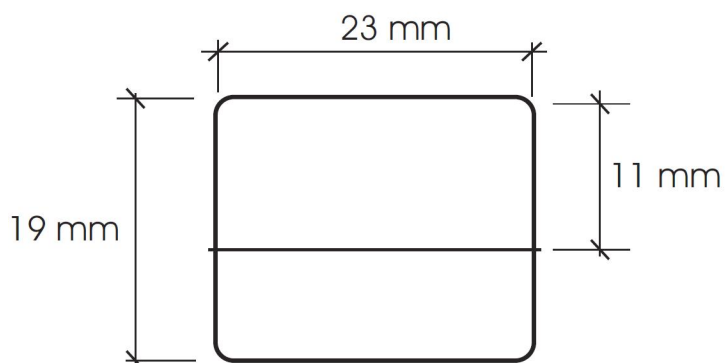
Colour: Silver and Black.



Label 2:

Material: Polyester film laminate.

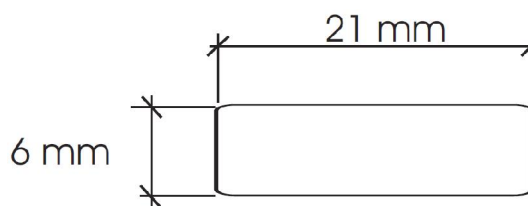
Colour: Silver, black and yellow.



Label 3:

Material: Polyester film laminate.

Colour: Silver and Black.





**TRM-300 409-470 MHz
IDENTIFICATION LABELS**

Code: TRM-300_IDLABEL_410

Date: 20/11/2013

Page: 5 of 5

3. LOCATION OF THE LABELS

