

# **MDT-400 409-430 MHz Mobile Radiotelephone**

## **Label Design and Location**

**Code: D262Z28PT**  
**Version: 2.0**  
**Date: 24/01/2018**

*PowerTrunk Inc. is the subsidiary of Teltronic S.A.U. responsible for business development, distribution and customer support for Teltronic's Land Mobile Radio products in North America. The company is headquartered in New Jersey. Teltronic S.A.U. distributes the same products for Land Mobile Radio under different trademarks and brand names in other regions of the world.*

## **Disclaimer**

*Although every reasonable effort has been made to ensure the accuracy of the information contained herein and in any other referred document, this should not be construed as a commitment on the part of Teltronic S.A.U. and/or PowerTrunk Inc., and the liability of Teltronic S.A.U. and/or PowerTrunk Inc. for any errors and omissions shall be limited to the correction of such errors and omissions. Teltronic S.A.U. and/or PowerTrunk Inc. welcomes any comment as a way to improve any delivered documentation.*

*The information contained herein has been prepared for the use of appropriately trained personnel, and it is intended for the purpose of the agreement under which the information is submitted. Any party using or relying upon this information assumes full responsibility for such use and in no event shall Teltronic S.A.U. and/or PowerTrunk Inc. be liable to anyone for special, collateral, incidental, or consequential damages in connection with or arising out of the use of this information.*

*The information or statements given in these documents regarding the suitability, capacity or performance of the mentioned hardware or software products cannot be considered binding but shall be defined in the agreement made between Teltronic S.A.U. and/or PowerTrunk Inc. and the customer.*

*Teltronic S.A.U. and/or PowerTrunk Inc. reserves the right to revise these documents and to make changes to their content at any time without prior notification.*

## **Copyright**

*No part of the information contained herein and in the other referred documents may be copied, distributed or transmitted by any means to any other party without prior written permission of Teltronic S.A.U. and/or PowerTrunk Inc. The distribution of this document may be also covered by NDA (non-disclosure agreement) between Teltronic S.A.U. and/or PowerTrunk Inc. and the receiver.*

*Please also note that part of these contents even may be covered by patent rights.*

*This document, the referred documents and the described product are considered protected by copyright according to the applicable laws.*

*PowerTrunk and the PowerTrunk logo are registered trademarks of Teltronic S.A.U.*

*Copyright © PowerTrunk Inc. All rights reserved.*

**CONTENTS**

- 1. INTRODUCTION..... 4**
- 2. MDT-400 409-430 MHZ LABELLING..... 5**
  - 2.1 MODEL IDENTIFICATION LABEL (MDT-400 409-430 MHZ WITH GPS OPTION) ..... 5
  - 2.2 FCC PART 15 AND RF EXPOSURE COMPLIANCE LABEL ..... 5
  - 2.3 ISED ICES-003 COMPLIANCE LABEL ..... 5
- 3. LOCATION OF ALL LABELS..... 6**

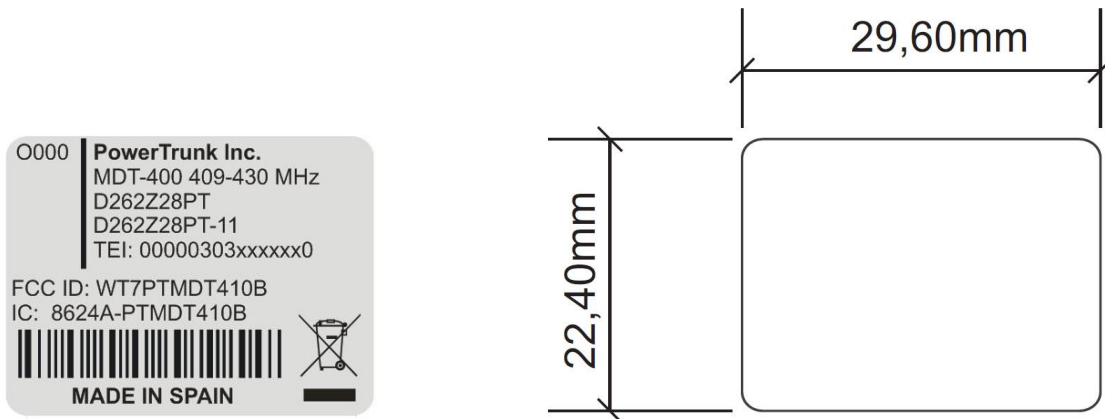
## 1. INTRODUCTION

This document is aimed at describing the labelling of the PowerTrunk mobile radio MDT-400 409-430 MHz (D262Z28PT).

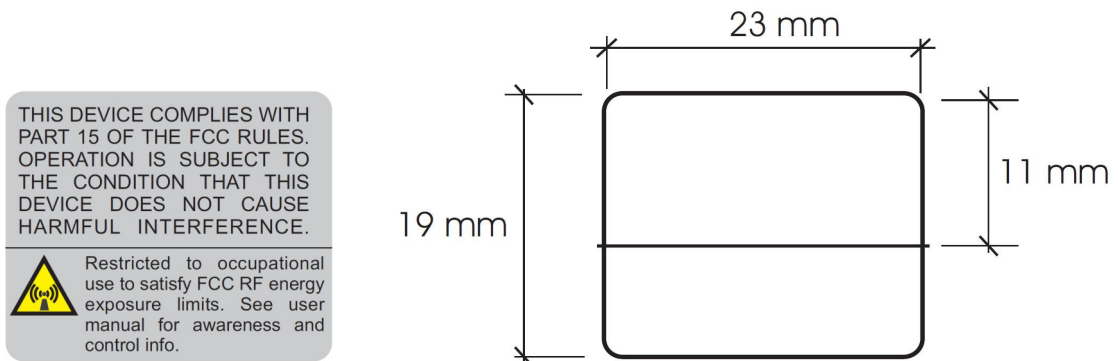
## 2. MDT-400 409-430 MHZ LABELLING

### 2.1 MODEL IDENTIFICATION LABEL (MDT-400 409-430 MHZ WITH GPS OPTION)

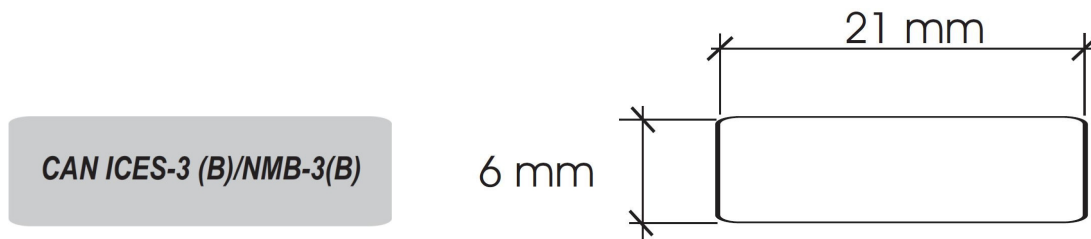
The code O000 on the upper left side of the label identifies the GPS option.



### 2.2 FCC PART 15 AND RF EXPOSURE COMPLIANCE LABEL



### 2.3 ISED ICES-003 COMPLIANCE LABEL



### 3. LOCATION OF ALL LABELS

All labels are located on the external fins of the MDT-400 rear heatsink, as shown in the picture below.



ISED ICES-003 compliance label

CAN ICES-3 (B)/NMB-3(B)

Model identification label

0000 PowerTrunk Inc.  
MDT-400 409-430 MHz  
D262228PT  
D262N28PT-11  
TEI: 00000303xxxxxx0  
FCC ID: W17PTMD1410B  
IC: 8624A-PTMD1410B  
MADE IN SPAIN



FCC Part 15 and RF Exposure compliance label

THIS DEVICE COMPLIES WITH PART 15 OF THE FCC RULES. OPERATION IS SUBJECT TO THE CONDITION THAT THIS DEVICE DOES NOT CAUSE HARMFUL INTERFERENCE.  
Restricted to occupational use to satisfy FCC RF energy exposure limits. See user manual for awareness and control info.