

**MBS Unit -N
Mast-mounted Base Station
806-870 MHz**

Label Design and Location

**Code: D148N01PT
Version: 1.0
Date: 22/01/2018**

PowerTrunk Inc. is the subsidiary of Teltronic S.A.U. responsible for business development, distribution and customer support for Teltronic's Land Mobile Radio products in North America. The company is headquartered in New Jersey. Teltronic S.A.U. distributes the same products for Land Mobile Radio under different trademarks and brand names in other regions of the world.

Disclaimer

Although every reasonable effort has been made to ensure the accuracy of the information contained herein and in any other referred document, this should not be construed as a commitment on the part of Teltronic S.A.U. and/or PowerTrunk Inc., and the liability of Teltronic S.A.U. and/or PowerTrunk Inc. for any errors and omissions shall be limited to the correction of such errors and omissions. Teltronic S.A.U. and/or PowerTrunk Inc. welcomes any comment as a way to improve any delivered documentation.

The information contained herein has been prepared for the use of appropriately trained personnel, and it is intended for the purpose of the agreement under which the information is submitted. Any party using or relying upon this information assumes full responsibility for such use and in no event shall Teltronic S.A.U. and/or PowerTrunk Inc. be liable to anyone for special, collateral, incidental, or consequential damages in connection with or arising out of the use of this information.

The information or statements given in these documents regarding the suitability, capacity or performance of the mentioned hardware or software products cannot be considered binding but shall be defined in the agreement made between Teltronic S.A.U. and/or PowerTrunk Inc. and the customer.

Teltronic S.A.U. and/or PowerTrunk Inc. reserves the right to revise these documents and to make changes to their content at any time without prior notification.

Copyright

No part of the information contained herein and in the other referred documents may be copied, distributed or transmitted by any means to any other party without prior written permission of Teltronic S.A.U. and/or PowerTrunk Inc. The distribution of this document may be also covered by NDA (non-disclosure agreement) between Teltronic S.A.U. and/or PowerTrunk Inc. and the receiver.

Please also note that part of these contents even may be covered by patent rights.

This document, the referred documents and the described product are considered protected by copyright according to the applicable laws.

PowerTrunk and the PowerTrunk logo are registered trademarks of Teltronic S.A.U.

Copyright © PowerTrunk Inc. All rights reserved.

CONTENTS

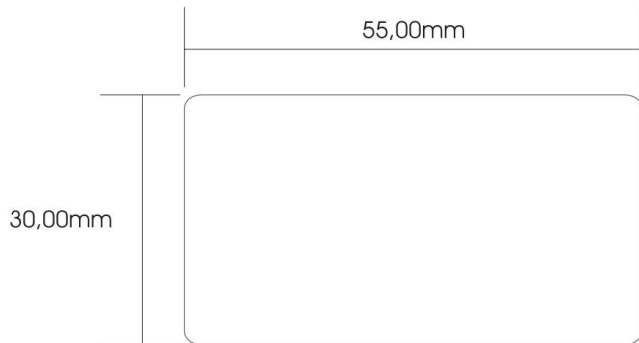
1. INTRODUCTION.....	4
2. LABELLING.....	5
2.1 PRODUCT IDENTIFICATION LABEL (MBS UNIT -N WITH VAC SUPPLY OPTION).....	5
2.2 PRODUCT IDENTIFICATION LABEL (MBS UNIT -N WITH VDC SUPPLY OPTION).....	5
2.3 UL MARKING LABEL	5
2.4 FCC PART 15 AND ISED ICES-003 COMPLIANCE LABEL	6
2.5 FCC COMPLIANCE LABEL ON RF EXPOSURE	6
2.6 POWERTRUNK ADDRESS LABEL	6
2.7 EARTH CONNECTION CAUTION LABEL (MBS UNIT -N WITH VDC SUPPLY OPTION)	6
2.8 POWER SUPPLY IDENTIFICATION LABEL (MBS UNIT -N WITH VAC SUPPLY OPTION)	7
2.9 POWER SUPPLY IDENTIFICATION LABEL (MBS UNIT -N WITH VDC SUPPLY OPTION)	7
2.10HOT SURFACE CAUTION LABEL.....	8
3. LOCATION OF THE POWER SUPPLY IDENTIFICATION LABELS.....	9
4. LOCATION OF THE HOT SURFACE CAUTION LABEL	10
5. LOCATION OF ALL OTHER LABELS	11

1. INTRODUCTION

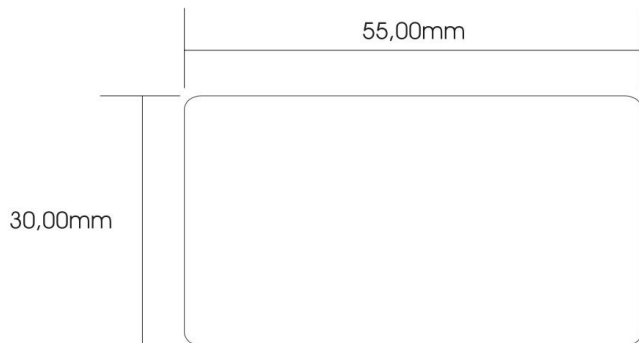
This document is aimed at describing the labelling of the PowerTrunk mast-mounted base station MBS Unit -N (D148N01PT) with the two possible supply options under consideration: VAC (O148017PT) and VDC (O148018PT).

2. LABELLING

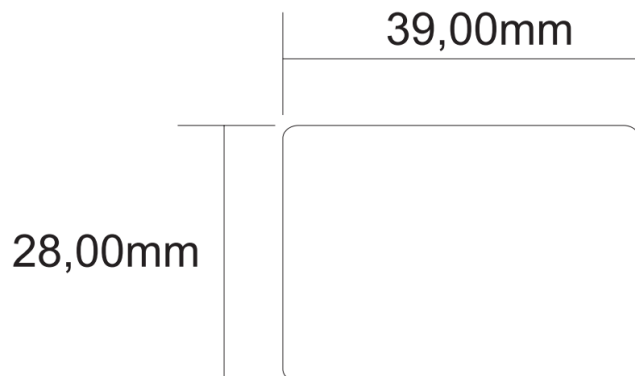
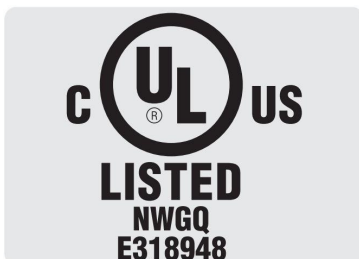
2.1 PRODUCT IDENTIFICATION LABEL (MBS UNIT -N WITH VAC SUPPLY OPTION)



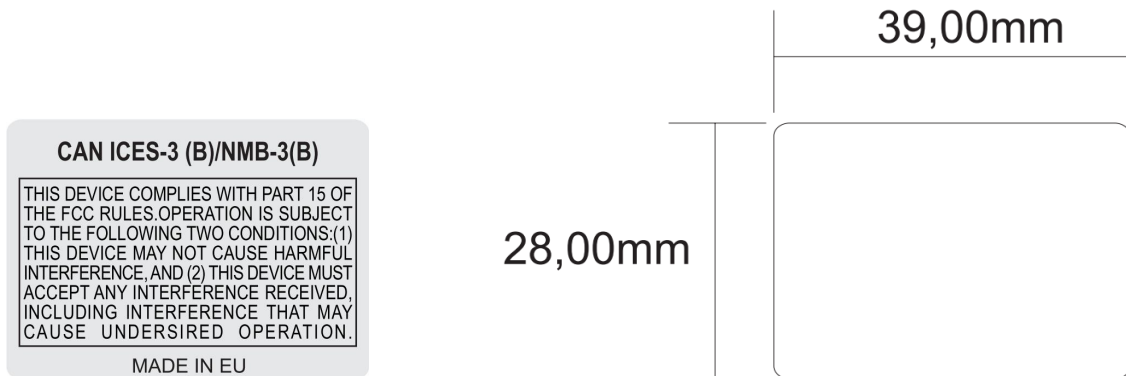
2.2 PRODUCT IDENTIFICATION LABEL (MBS UNIT -N WITH VDC SUPPLY OPTION)



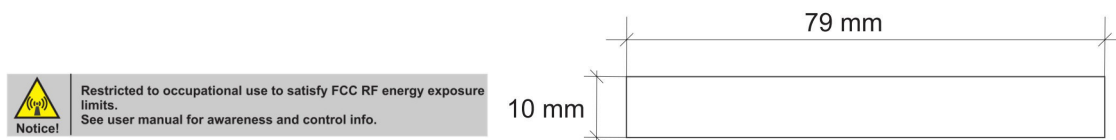
2.3 UL MARKING LABEL



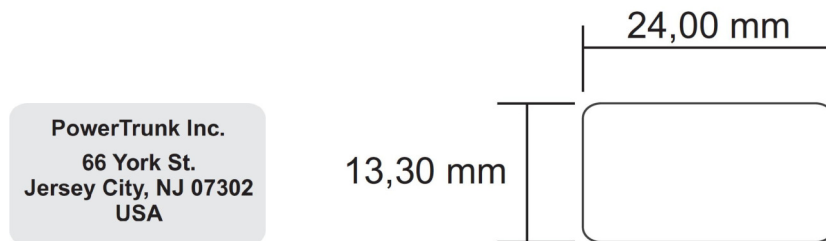
2.4 FCC PART 15 AND ISED ICES-003 COMPLIANCE LABEL



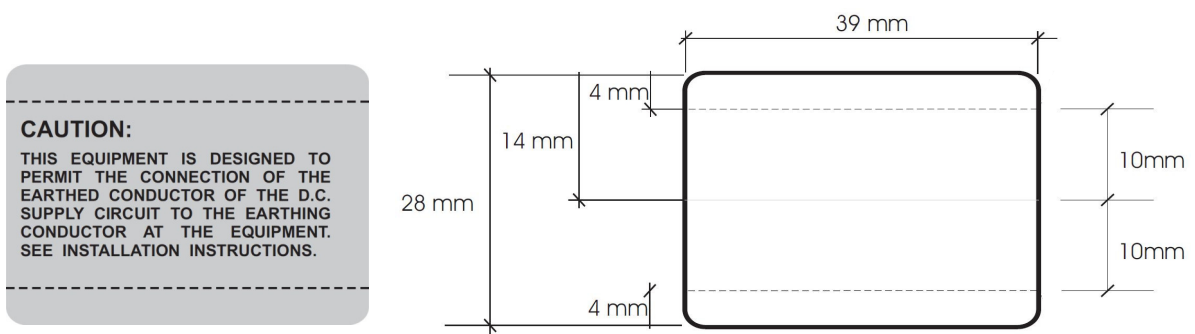
2.5 FCC COMPLIANCE LABEL ON RF EXPOSURE



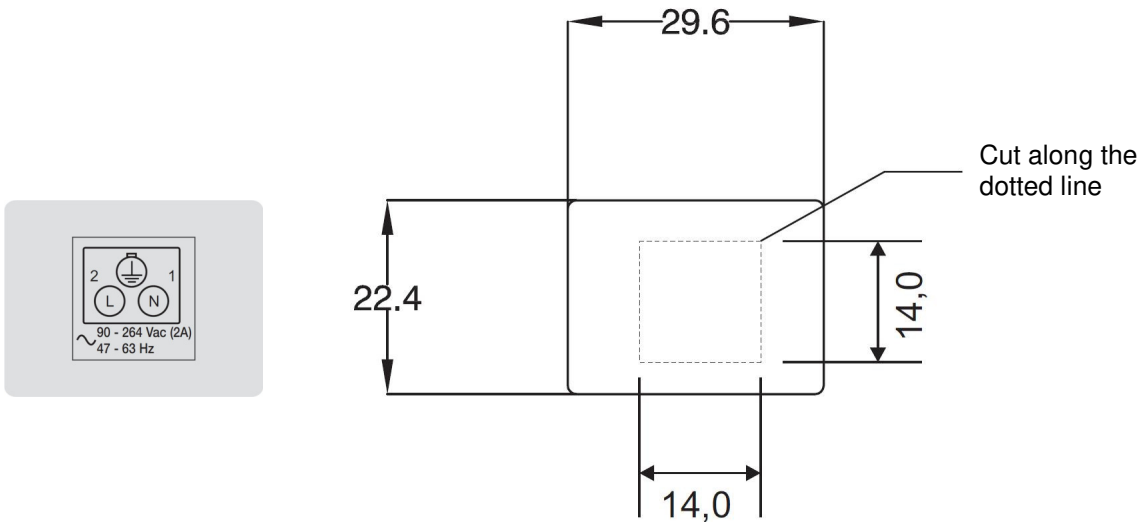
2.6 POWERTRUNK ADDRESS LABEL



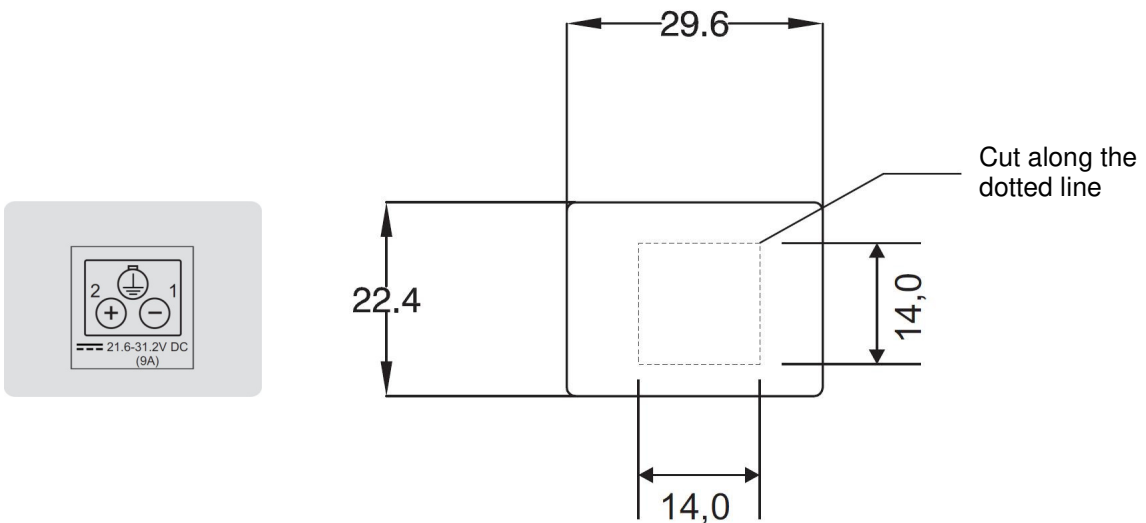
2.7 EARTH CONNECTION CAUTION LABEL (MBS UNIT -N WITH VDC SUPPLY OPTION)



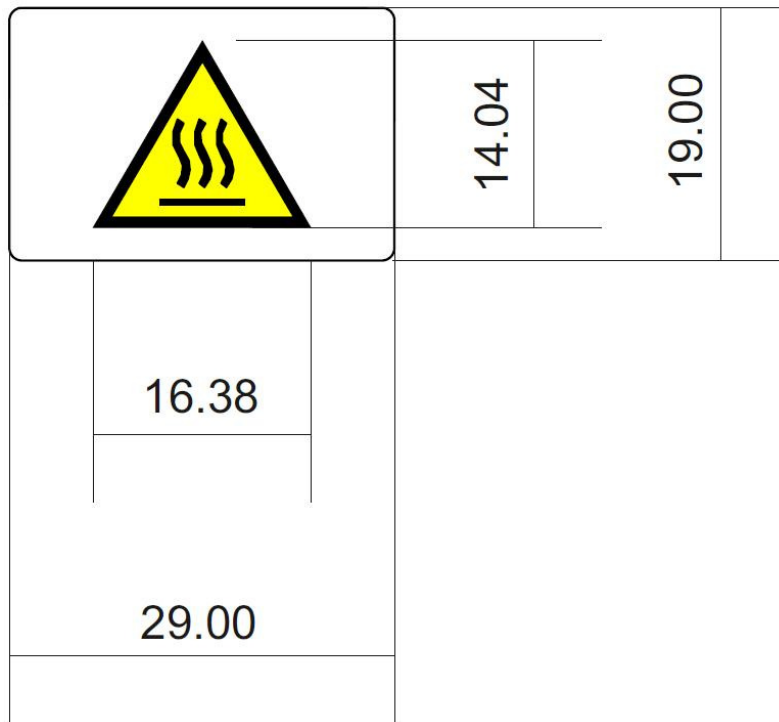
2.8 POWER SUPPLY IDENTIFICATION LABEL (MBS UNIT -N WITH VAC SUPPLY OPTION)



2.9 POWER SUPPLY IDENTIFICATION LABEL (MBS UNIT -N WITH VDC SUPPLY OPTION)



2.10 HOT SURFACE CAUTION LABEL



3. LOCATION OF THE POWER SUPPLY IDENTIFICATION LABELS

The label described above in section 2.8 is placed on each of the connectors named as “POWER IN” and “POWER OUT” of the MBS Unit –N with VAC supply option.

A similar labelling applies to the MBS Unit –N with VDC supply option, this time being the label described in section 2.9.

Each label is located on a conspicuous side of the corresponding connector, as shown in the picture below:



4. LOCATION OF THE HOT SURFACE CAUTION LABEL

The label described above in section 2.10 is placed close to the heatsink on the lid of the MBS Unit, as shown in the picture below:

