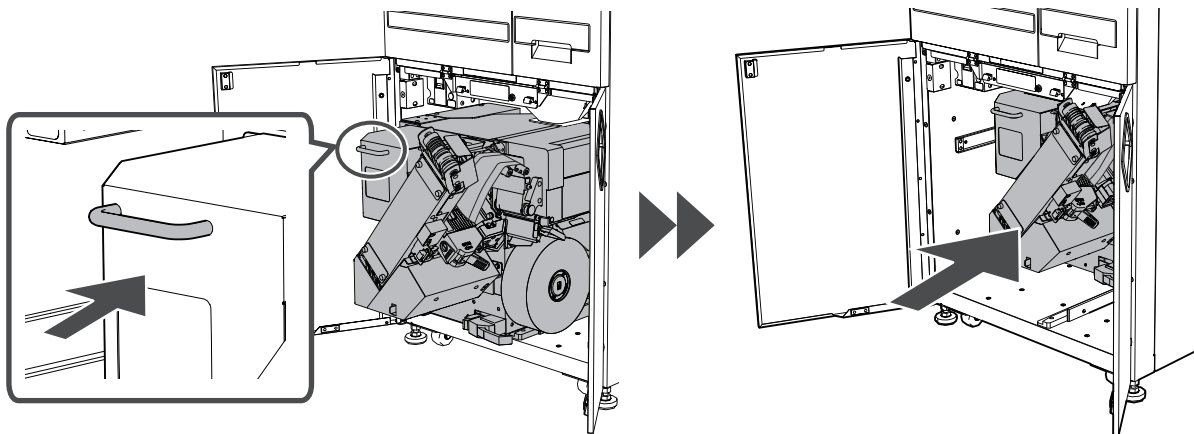


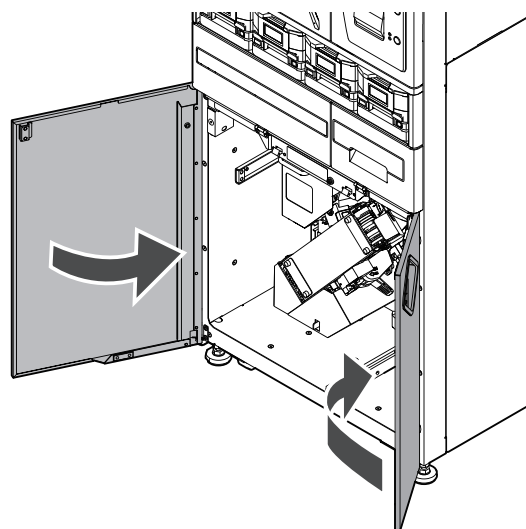
11 Set the packaging unit in place.

Hold the handle on the packaging unit and return the packaging unit to its original position. Push it all the way in until it clicks. When the packaging unit is set in place, the beep sound is played.



12 Close the lower doors.

Close the right door first and then close the left door.



13 Resume dispensing.

Tap [Resume] to restart dispensing.



CAUTION

Dispose of the used ink and protective cap according to the disposal regulations and rules in your community.



Maintenance Tank

Note: This chapter only covers the inkjet printer type.

When the maintenance tank becomes full, the warning appears on the touch panel and the packaging machine stops operation.

Replace the maintenance tank with the new one.



CAUTION

Do not lick or swallow the ink. If so, call a physician immediately.

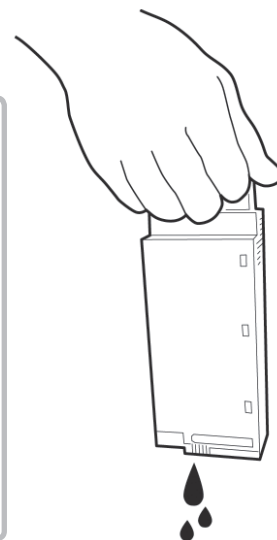
Do not leave the maintenance tank removed for a long time.

Do not detach the maintenance tank unless it needs to be replaced.

Replace the maintenance tank carefully to avoid ink adhesion to your hands.

After removing the used maintenance tank, put it in a reclosable plastic bag and zip the bag securely.

Do not shake or press the used maintenance tank hard. Also, do not hold the maintenance tank with the ink port facing down. Doing so may cause the ink to leak out, resulting in staining of clothing or the surrounding area.



1 The warning appears.

The inkjet maintenance tank warning is displayed on the touch panel and the audio guidance is played.

Tap [Mute] to stop the audio guidance.

Note: If you tap [Disconnect], the packaging machine goes into the "Printer OFF Mode" and dispenses medicine without printing. If you restart the computer and the packaging machine, the "Printer OFF Mode" is switched back to the normal mode.

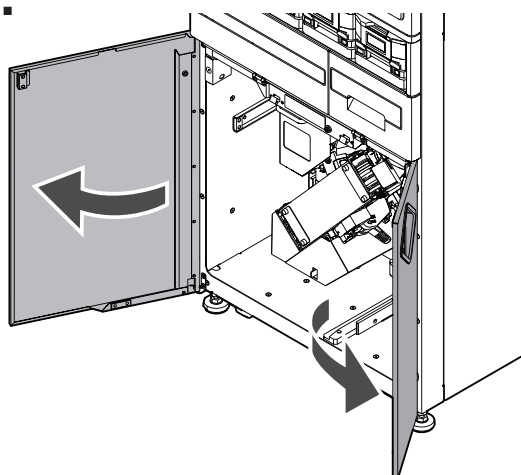


Tips

If there is a string of pouches in front of the lower doors when you try to open them, press the End Cutter button.

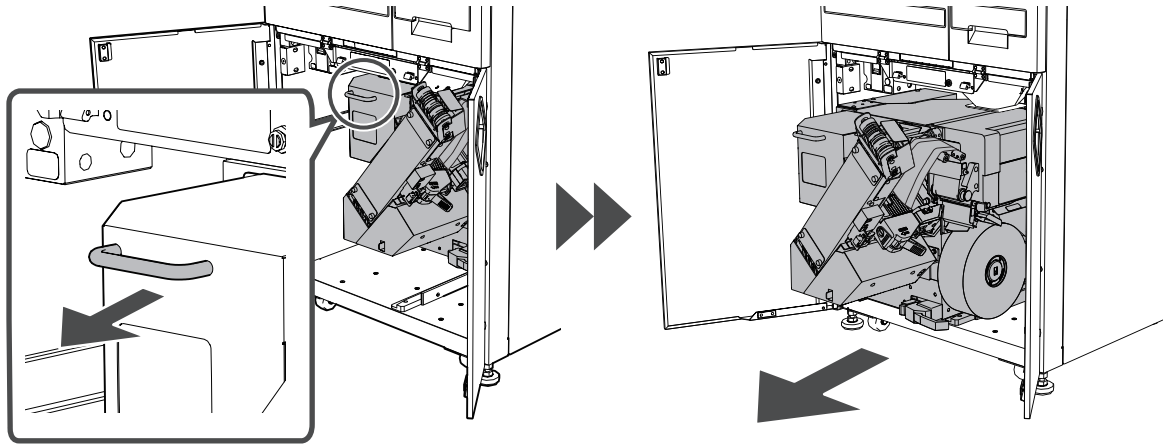
2 Open the lower doors.

Open the left door first and then open the right door.



3 Pull out the packaging unit.

Hold the handle on the packaging unit and then pull it out.

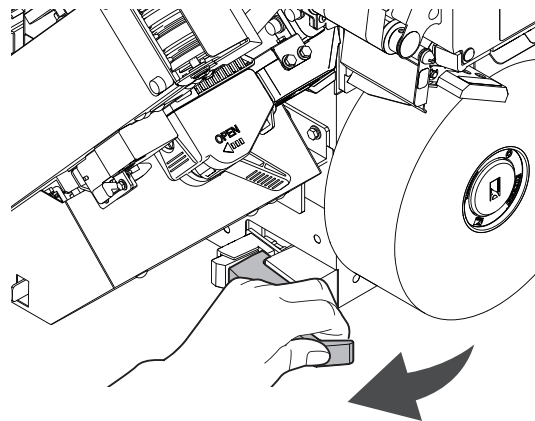


4 Open the packaging unit.

Pull the lever on the packaging unit.
After unlocking the packaging unit, pull it out.

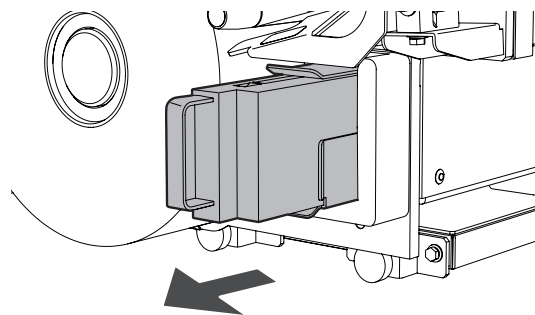
⚠ CAUTION

When opening the packaging unit, be careful not to hit against something that could damage the packaging unit.



5 Remove the maintenance tank.

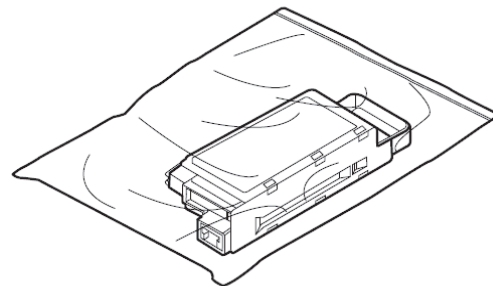
Pull the maintenance tank full of ink to the left to remove it.



Put the removed maintenance tank in the provided disposal bag and zip the bag securely.

⚠ CAUTION

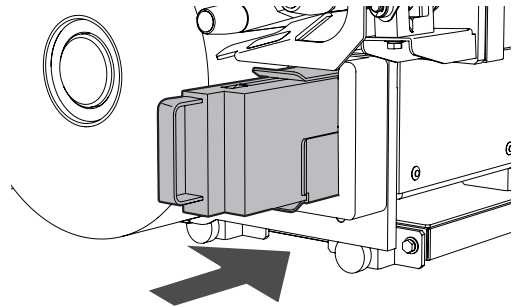
Do not shake or press the used maintenance tank hard. Also, do not hold the maintenance tank with the ink port facing down. Doing so may cause the ink to leak out, resulting in staining of clothing or the surrounding area.



6 Install the maintenance tank.

Install the new maintenance tank.

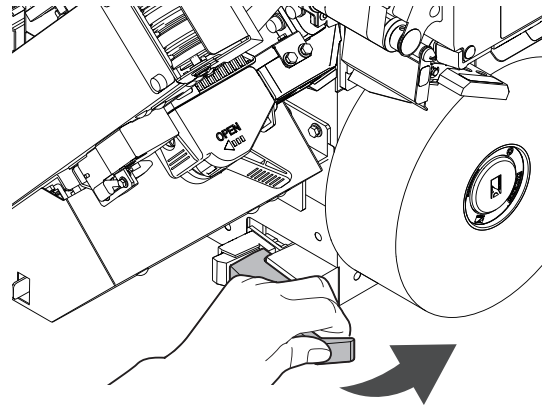
Note: Insert it all the way in.



7 Return the packaging unit to its original position.

Hold the lever on the packaging unit and push the packaging unit.

Push it all the way in until it clicks.

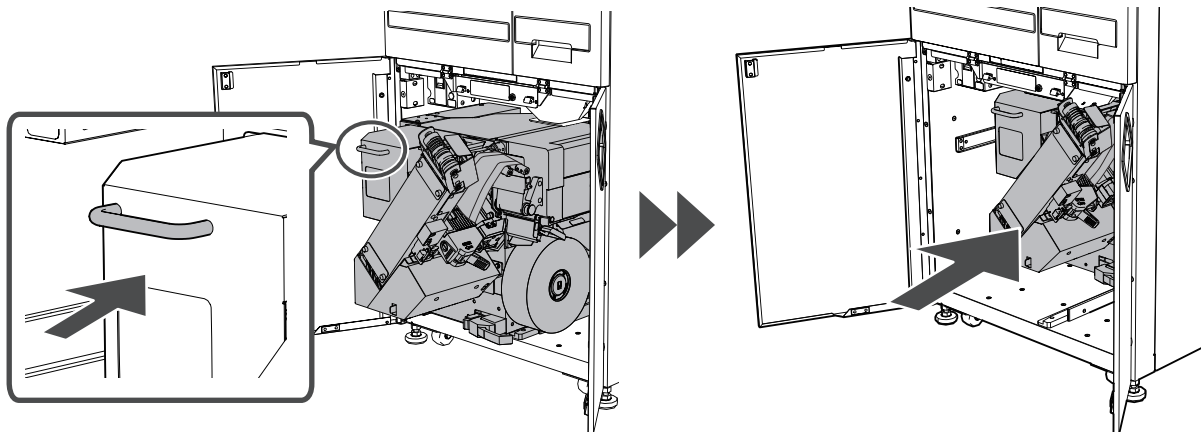


8 Set the packaging unit in place.

Hold the handle on the packaging unit and return the packaging unit to its original position.

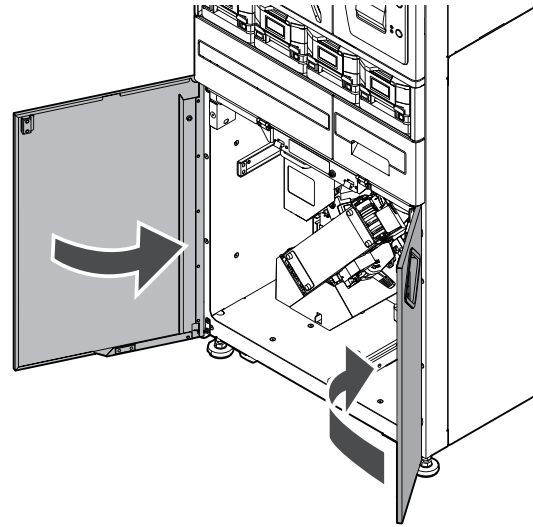
Push it all the way in until it clicks.

When the packaging unit is set in place, the beep sound is played.



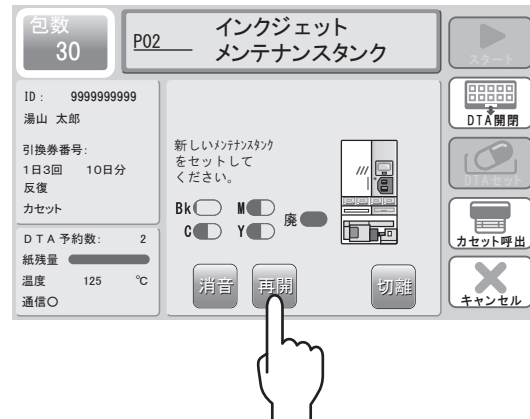
9 Close the lower doors.

Close the right door first and then close the left door.



10 Resume dispensing.

Tap [Resume] to restart dispensing.



⚠ CAUTION

- Dispose of the used maintenance tank according to the disposal regulations and rules in your community.
- Do not store the maintenance tank with the ink port facing down. Doing so may cause the ink to leak out, resulting in staining of clothing or the surrounding area.

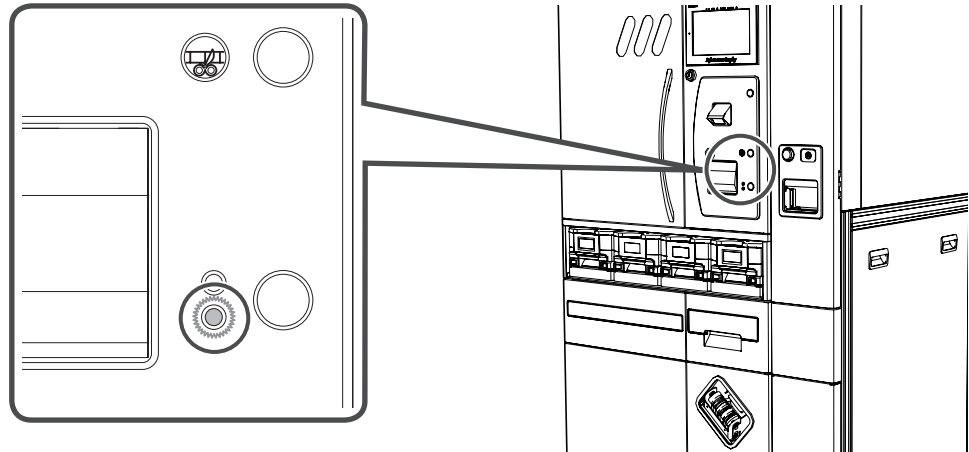
Journal Printer Paper

Even though the journal printer paper roll becomes empty, no error is displayed on the touch panel.

(Please check the paper lamp on the control panel.)

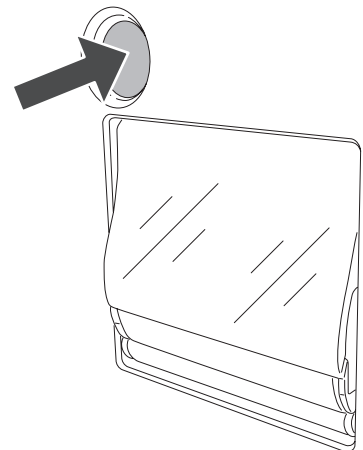
If the journal printer paper roll becomes empty, set the new one.

If the journal printer paper roll becomes empty, the paper lamp on the control panel turns on in red.



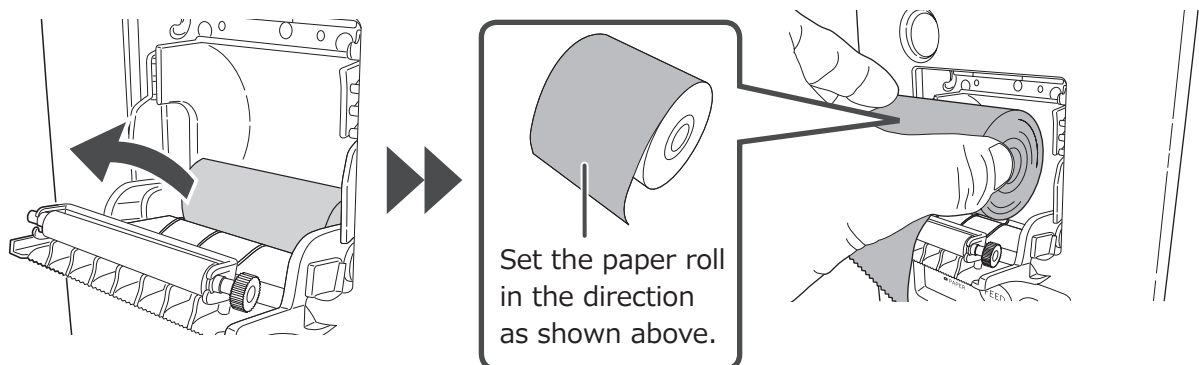
1 Open the journal printer cover.

Press the open button to open the journal printer cover.



2 Set the new printer paper.

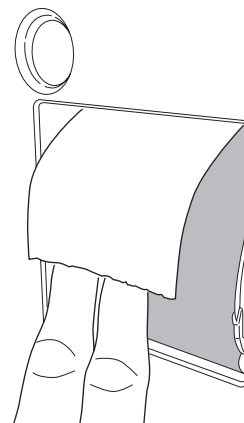
Remove the empty paper core and set the new paper roll. Set the paper roll so that the paper comes out of the upper side.



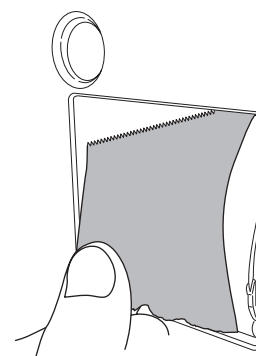
Set the paper roll in the direction as shown above.

3 Close the printer paper cover.

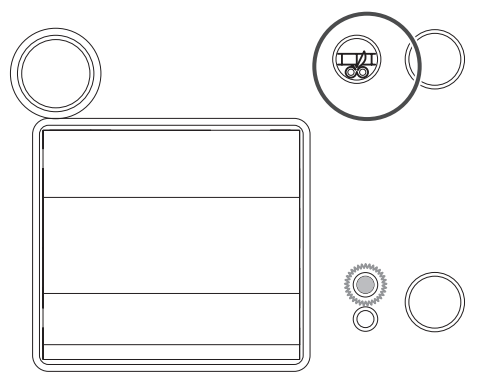
Close the cover with the end of the paper taken out a little.



Cut the paper coming out of the printer.
If the paper is too short to cut by hand, press the printer feed button to feed the paper.



When the replacement is completed,
the Online lamp turns on.





If any part is damaged or deteriorated, or the packaging machine has any problem after cleaning, please contact your sales agent.

■ Frequency: Everyday

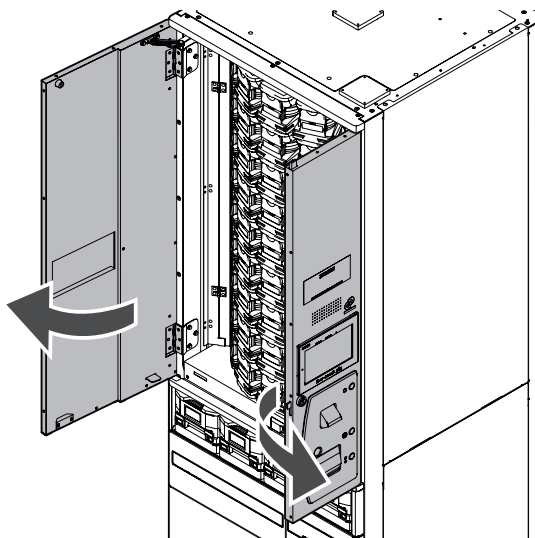
Name	Cleaning Method	Timing of Replacement/ Repair	Refer- ence Page
DTA partition tray	Wipe with a soft dry cloth.		
DTA feeder	Wipe with a damp cloth and then dry with another soft cloth.	When the medicine is stuck to it or it is damaged or deteriorated.	116
DTA slide plate			
Last hopper	Clean it with a vacuum cleaner. If the dirt is heavy, wipe with a damp cloth and then dry with another soft cloth.	When it is damaged or deteriorated.	127
Paper guide	Wipe with a damp cloth and then dry with another soft cloth.	When the medicine is stuck to it or it is damaged or deteriorated.	130

■ Frequency: Once a week

Name	Cleaning Method	Timing of Replacement/ Repair	Refer- ence Page
Tablet drop sensor	Wipe with a soft dry cloth.	When it is damaged or deteriorated.	114
Motor base	Wipe with a damp cloth and then dry with another soft cloth.		
Large hopper	Wipe with a damp cloth and then dry with another soft cloth.	When it is damaged or deteriorated.	118
Print head	Wipe with the provided print head cleaner soaked in alcohol.	If the print is still faint even after cleaning.	121
Ribbon guide	Wipe with a damp cloth and then dry with another soft cloth.		
Heat roller	Clean it with the provided brush.	When the packaging paper is not sealed properly.	130
Paper retainer	Wipe with a soft cloth soaked in alcohol.		
DTA unit	Clean it with a vacuum cleaner. If the dirt is heavy, wipe with a damp cloth and then dry with another soft cloth.	When the medicine is stuck to it or it is damaged or deteriorated.	138
Standby valve	Clean it with a vacuum cleaner. If the dirt is heavy, wipe with a damp cloth and then dry with another soft cloth.	When the medicine is stuck to it or it is damaged or deteriorated.	147
Chute cover unit (option)	Wipe with a damp cloth and then dry with another soft cloth.	When it is damaged or deteriorated.	150
Canister for half tablets (option)	Wipe with a damp cloth and then dry with another soft cloth.	When it is damaged.	154
Powder collecting unit for half tablet canisters (option)	Remove the powder from the powder collecting unit and clean it with the provided brush.		
Slide unit (option)	Wipe with a damp cloth and then dry with another soft cloth.	When it is damaged or deteriorated.	161
Slide hopper (option)	Wipe with a damp cloth and then dry with another soft cloth.	When the medicine is stuck to it or it is damaged or deteriorated.	166

1 Open the upper door.

When cleaning the tablet drop sensor, open the upper door of the main body or the front door of the slide unit.



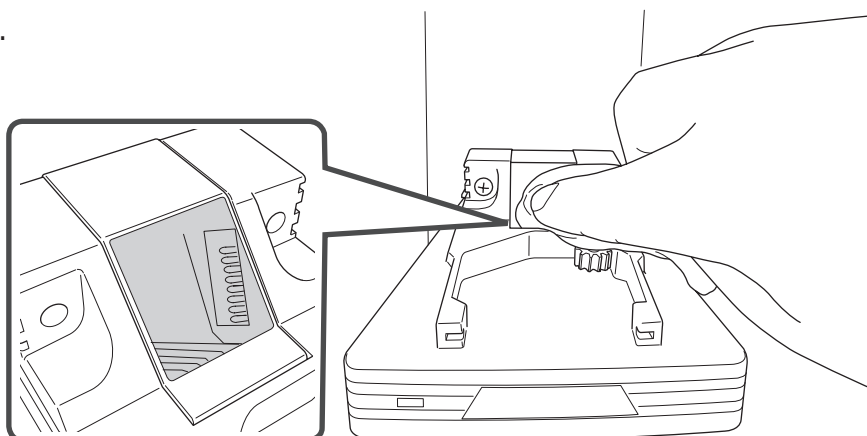
2 Remove the canister.

Press the lock of the canister until it clicks and then remove the canister while holding the lock.



3 Clean the tablet drop sensor.

Wipe with a soft dry cloth.

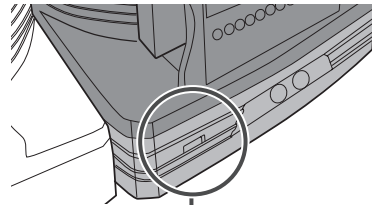
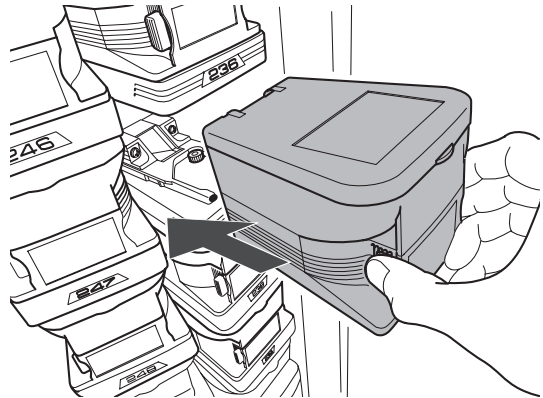


CAUTION

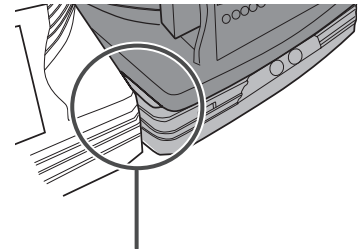
Do not wipe with a damp cloth.
Doing so may cause a failure.

4 Attach the canister.

When attaching the canister, push it all the way in so that its edge is aligned to the motor base. When the canister is identified, the motor base LED light blinks in orange.



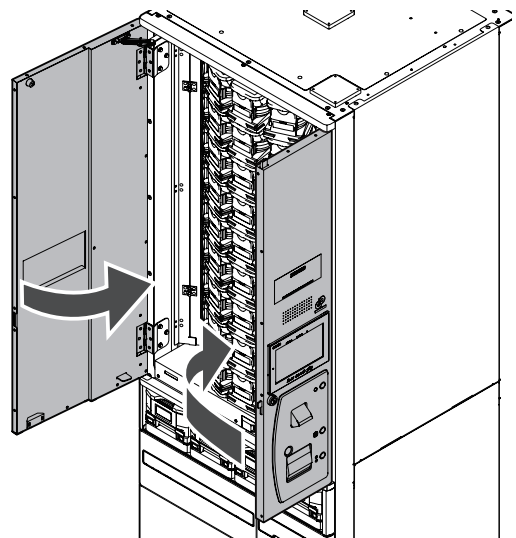
LED light



The edge of the canister is not aligned to the one of the motor base.

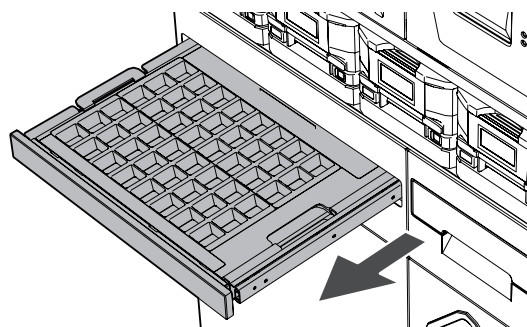
5 Close the upper door.

Close the upper door of the main body or the front door of the slide unit.



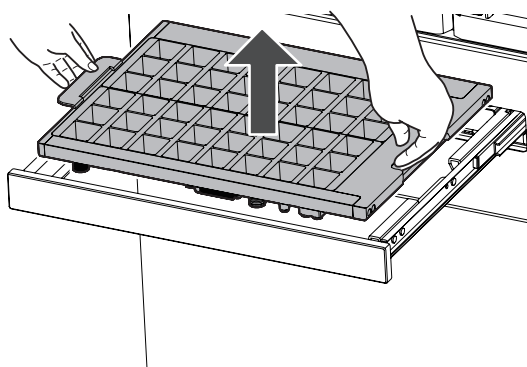
1 Open the DTA tray.

Tap [DTA Open/Close] to open the DTA tray.



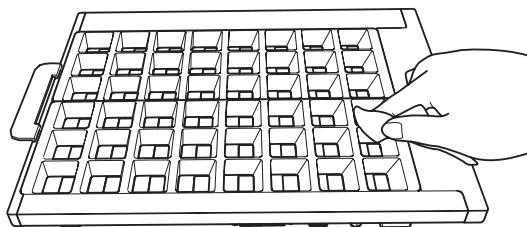
2 Remove the DTA partition tray.

When holding the DTA partition tray, hold its both sides. Generally lift it up and remove it from the back side.



3 Clean the DTA partition tray.

Wipe with a soft dry cloth.

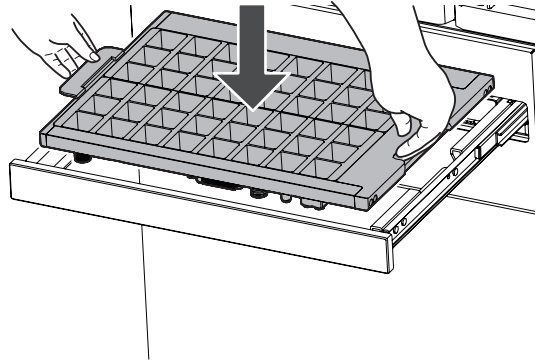


CAUTION

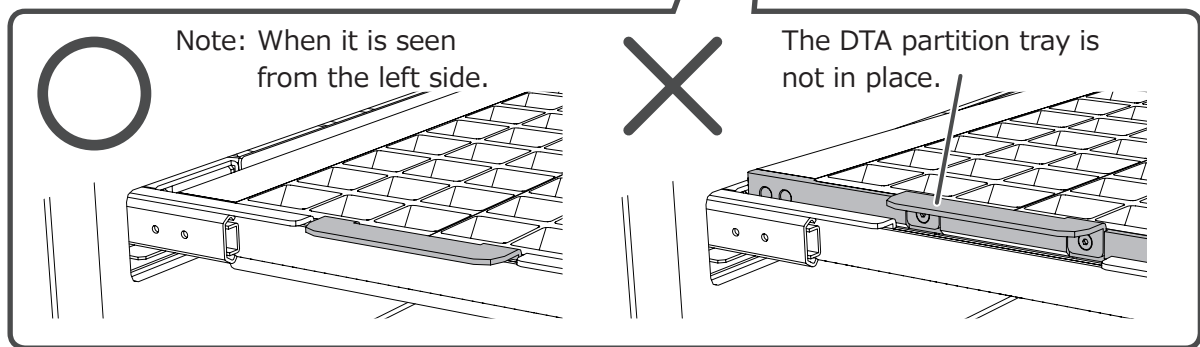
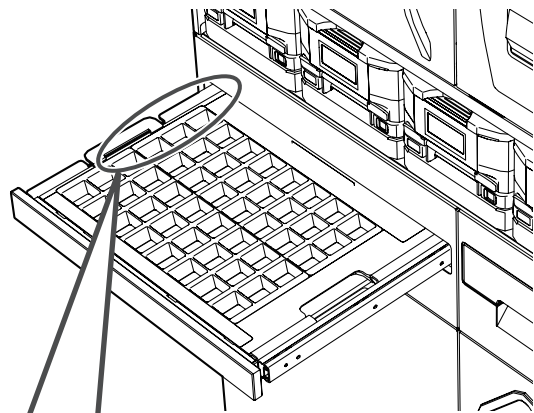
Do not wipe with a damp cloth or wash in water if LED lights are installed. Doing so may cause a failure.

4 Return the DTA partition tray to its original position.

Return the DTA partition tray to its original position.



When returning the DTA partition tray to its original position, be sure to check if it is set in place.



5 Close the DTA tray.

Tap [DTA Open/Close] to close the DTA tray.

