

Tips

If any dust remains where the ink ribbon passes through such as metal parts and rollers in the case, wipe off with a cloth soaked in alcohol.

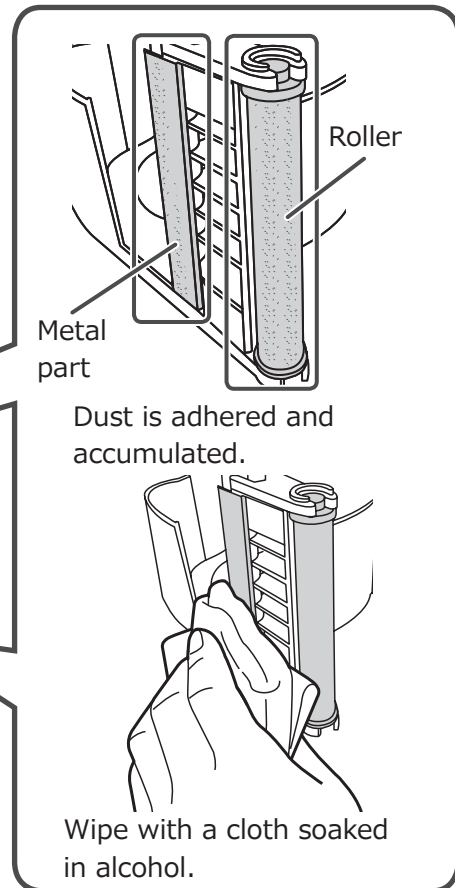
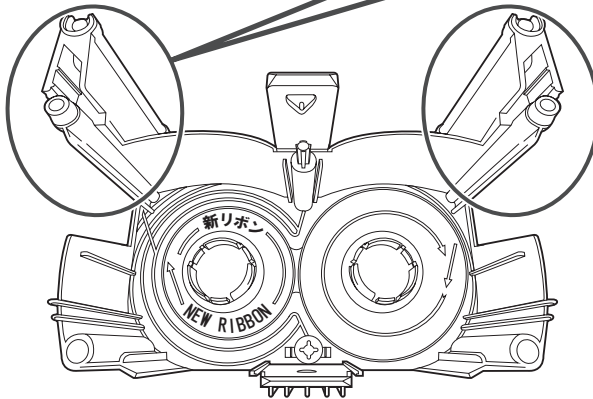
After cleaning, be sure to dry the case thoroughly and then set the ink ribbon.

Note: If any dust remains except where the ink ribbon passes through, wipe with a soft damp cloth that has been wrung out thoroughly.

WARNING

- Using the ink ribbon cartridge without removing dust may result in faint printing or contamination.
- When replacing the ink ribbon, check if the cartridge case does not have any defects such as breakage.
If so, replace the cartridge case with the new one.

Note: In case of purchasing the new one, contact your sales agent.
(For value)



8 Attach the ribbon adapter to the ribbon shaft.

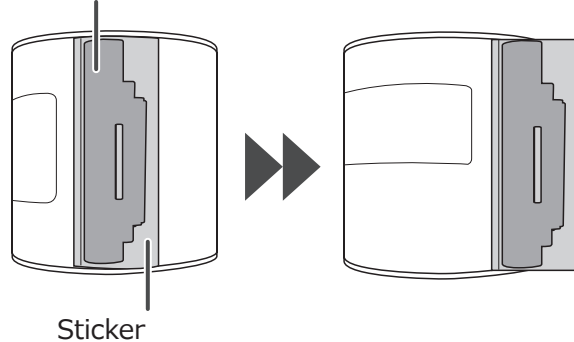
Remove the sticker from the new ink ribbon.



CAUTION

Do not remove the sticker completely. Doing so may cause the ribbon adapter to be removed from the ink ribbon.

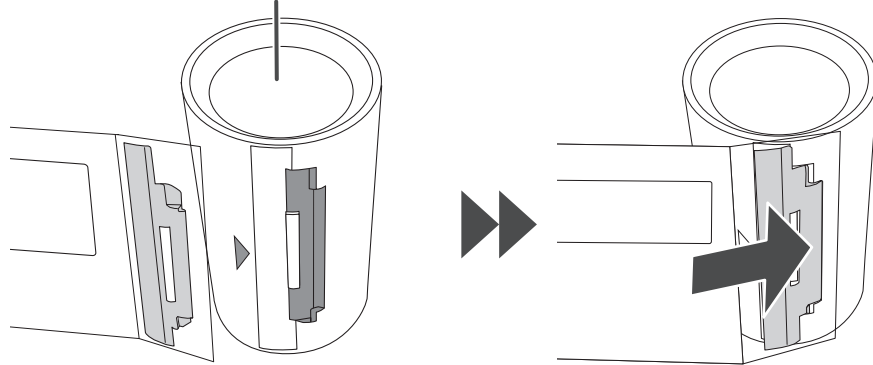
Ribbon adapter



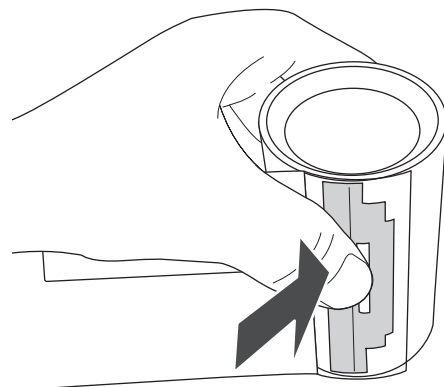
Place the adapter of the new ink ribbon towards the arrow mark on the ribbon take-up shaft, and then insert the ribbon adapter into the slot on the ribbon shaft.

Note: The ribbon shaft is the one separated from the used ribbon adapter.

Ribbon shaft

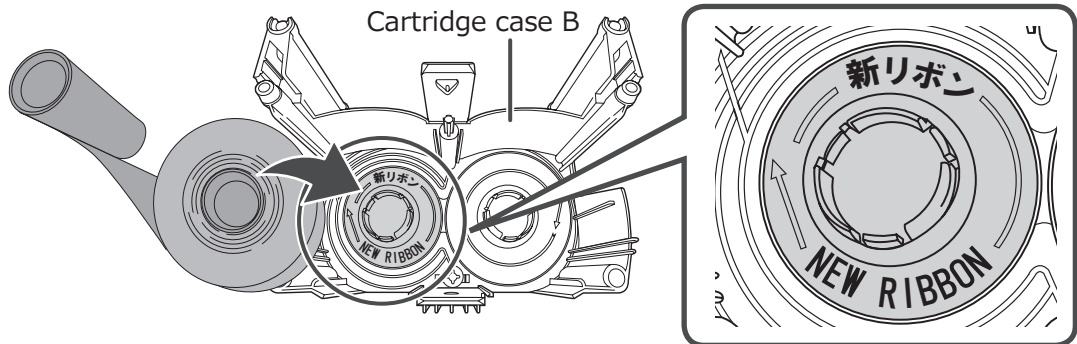


Insert the ribbon adapter into the ribbon shaft until it clicks.



9 Set the ink ribbon.

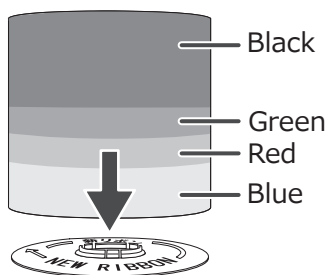
Set the ink ribbon in the cartridge case B. Place the new ink ribbon on the side where "NEW RIBBON" is printed.



Tips

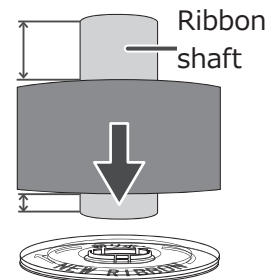
Installation of the Four-Color Ink Ribbon

Set the ink ribbon so that its color order from the bottom up is blue, red, green, and black.



Installation of the Half Ink Ribbon

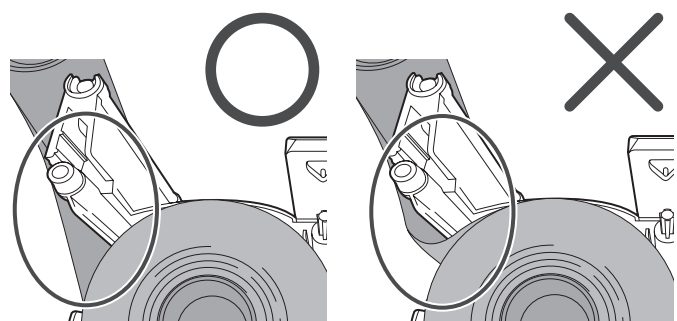
Set the ink ribbon with the short shaft down. If the ink ribbon is set in the cartridge with the long shaft down, the cartridge case A cannot be attached.



Set the ink ribbon with the short shaft down.

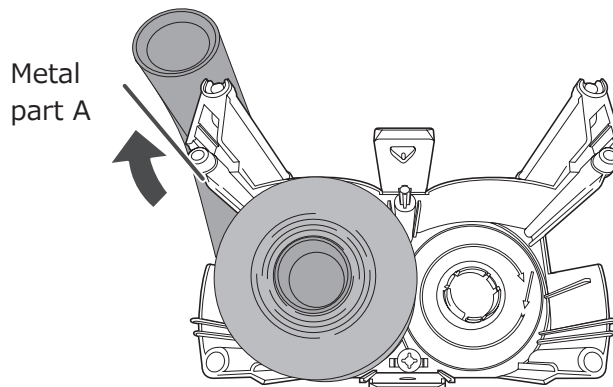
CAUTION

Set the ink ribbon in the direction as the arrow indicates in this manual. Setting the ink ribbon in a wrong direction may result in a failure.

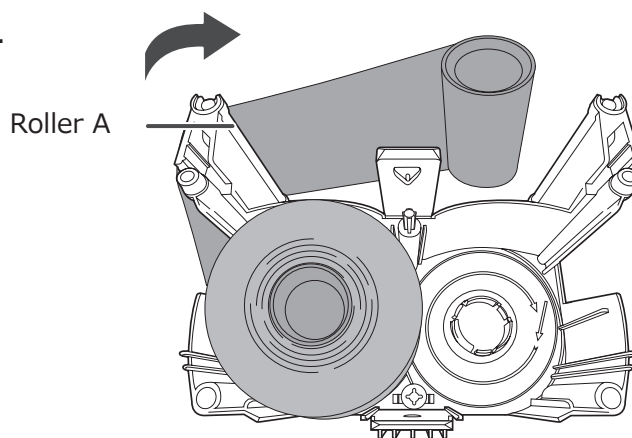


■ How to Set the Ink Ribbon

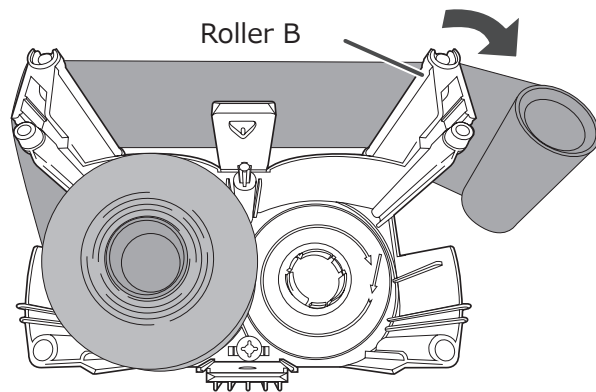
Pass the ink ribbon to the left side of the metal part A.



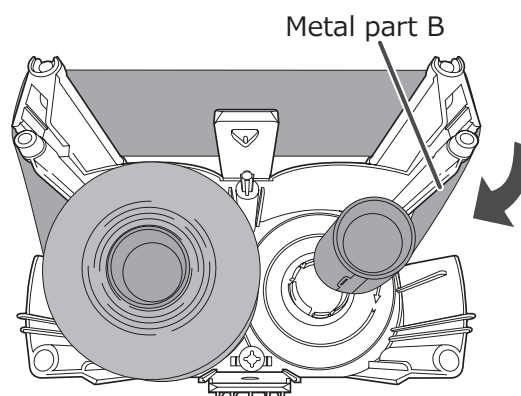
Pass the ink ribbon over the roller A.



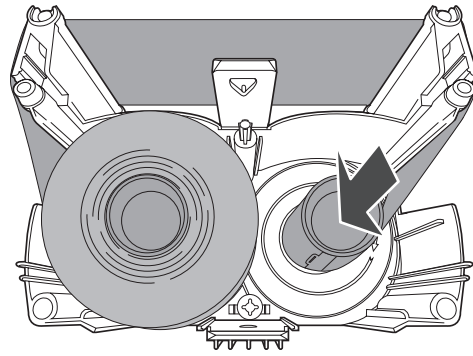
Pass the ink ribbon over the roller B.



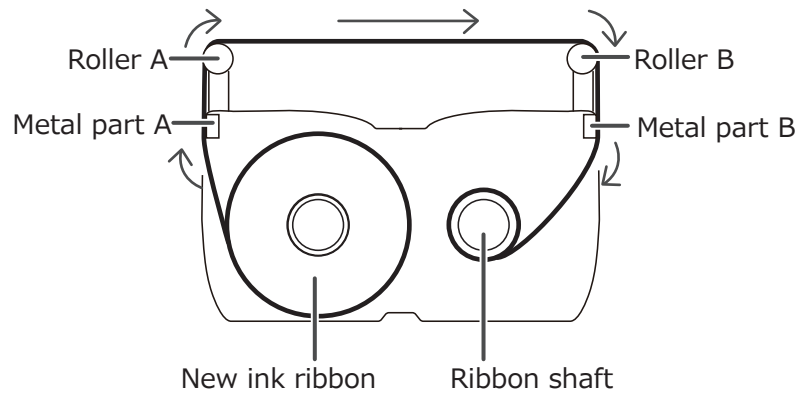
Pass the ink ribbon to the right side of the metal part B.



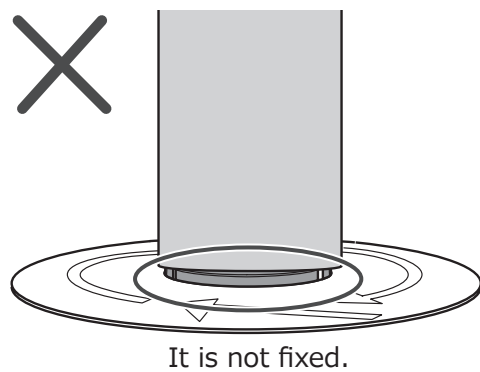
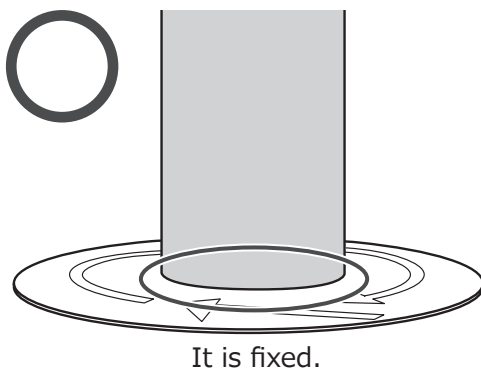
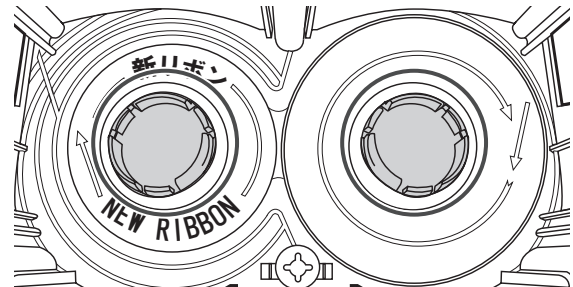
Insert the ribbon shaft into the case.



Check if the ink ribbon is set correctly.



Check if the new ink ribbon and the ribbon shaft are fixed in the cartridge case B.



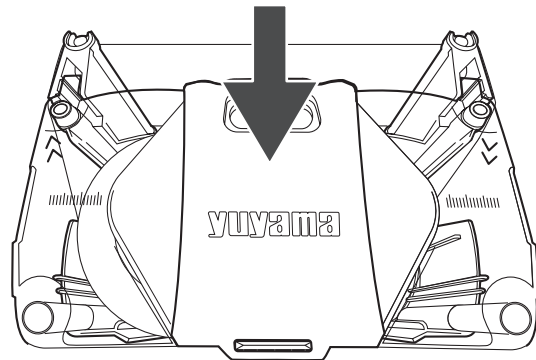
10 Attach the cartridge case.

Fit the cartridge case A in the holes on the cartridge case B to attach it.

Note: Push the cartridge case A all the way in until it clicks.

⚠ CAUTION

Check if the ink ribbon is not pinched between the cartridge cases A and B.

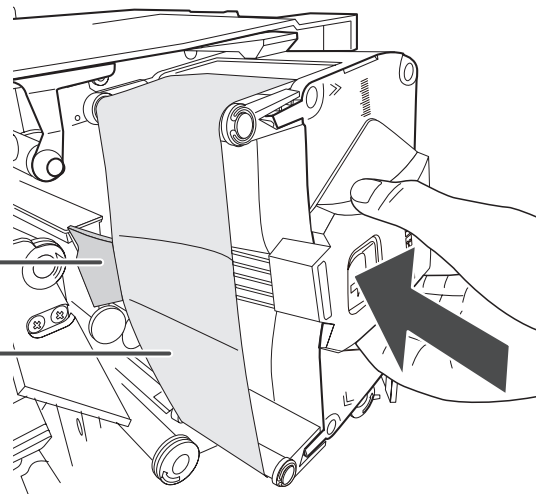


11 Return the ink ribbon cartridge to its original position.

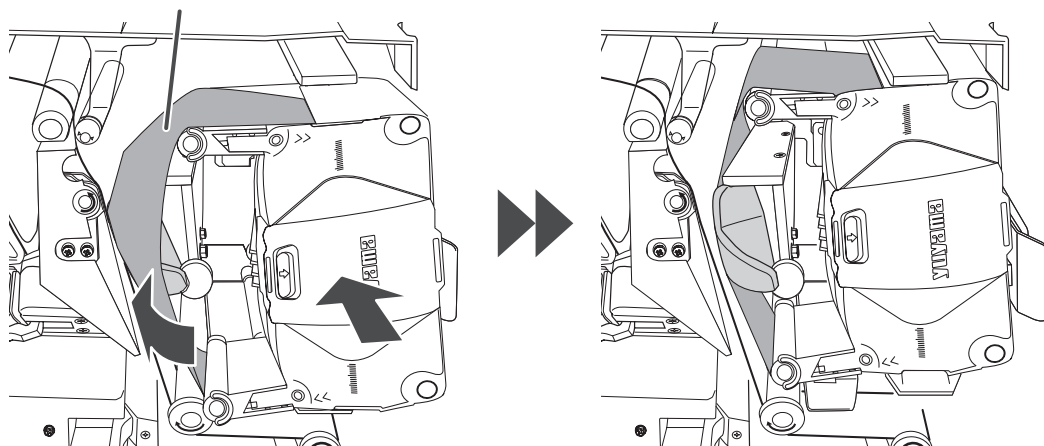
Attach the cartridge case so that the ink ribbon passes through the left side of the ribbon guide. After that, check if the cartridge case is securely fixed.

Ribbon guide

Pass the ink ribbon through the left side of the ribbon guide.

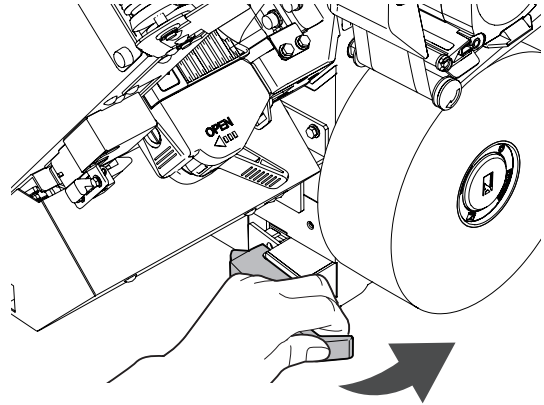


Ink ribbon



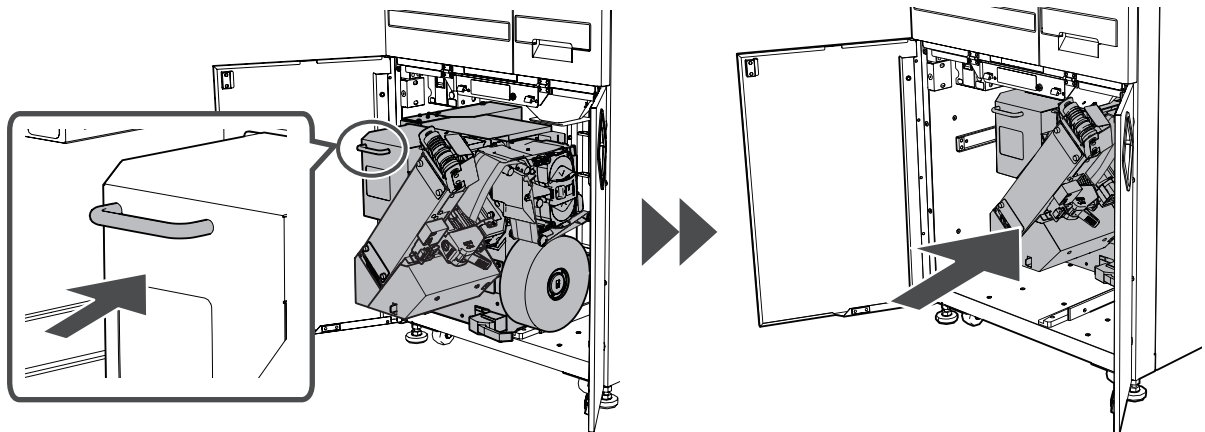
12 Return the packaging unit to its original position.

Hold the lever on the packaging unit and push the packaging unit.
Push it all the way in until it clicks.



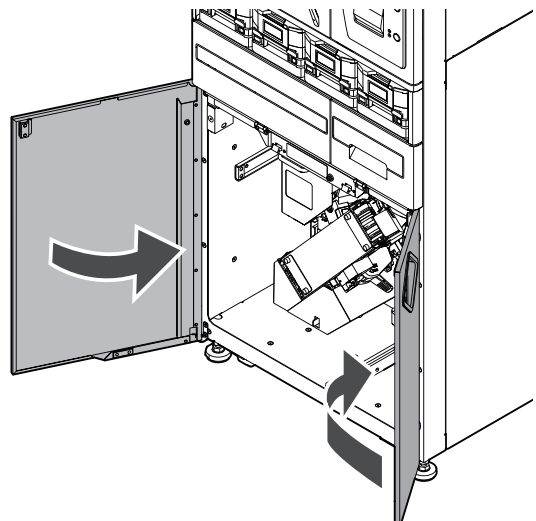
13 Set the packaging unit in place.

Hold the handle on the packaging unit and return the packaging unit to its original position.
Push it all the way in until it clicks.
When the packaging unit is set in place, the beep sound is played.



14 Close the lower doors.

Close the right door first and then close the left door.



15 Remove the warning message.

Tap [Resume] to restart dispensing.



Ink (Inkjet Printer)

Note: This chapter only covers the inkjet printer type.

If the ink becomes empty during dispensing, the warning appears and the machine stops dispensing. Replace the ink with the new one.

Note: If the print is still faint even after replacing the ink, clean the printer.



CAUTION

Use the ink in the following ambient conditions:

- The temperature range should be between 15°C and 30°C .
(Guaranteed printing temperature)
- The humidity range should be between 15% and 85%. (No condensation allowed)

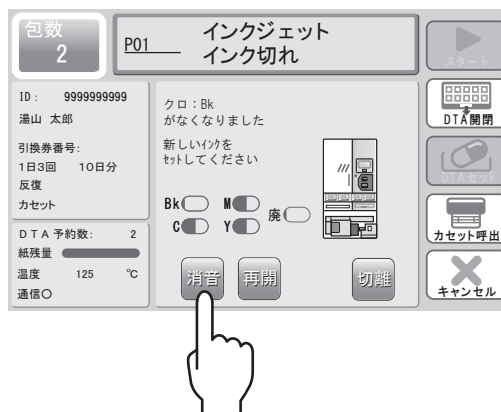
Note: Use the ink ribbon at humidity of 48% or less when the temperature is 30°C and at temperature of 28°C or less when the humidity is 85%. Failure to follow this instruction may result in poor print quality such as faint printing.

1 The warning appears.

The inkjet ink out warning is displayed on the touch panel and the audio guidance is played. Tap [Mute] to stop the audio guidance.

Note: If you tap [Disconnect], the packaging machine goes into the "Printer OFF Mode" and dispenses medicine without printing.

If you restart the computer and the packaging machine, the "Printer OFF Mode" is switched back to the normal mode.

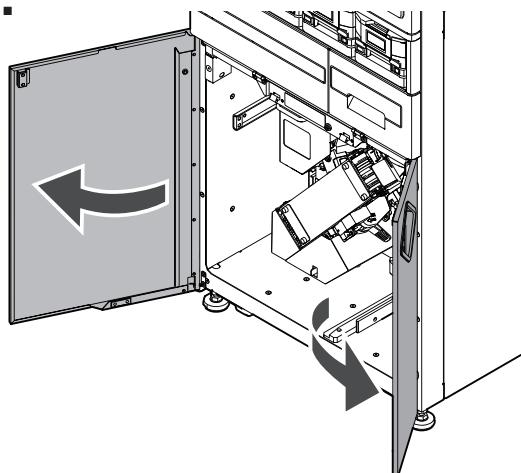


Tips

If there is a string of pouches in front of the lower doors when you try to open them, press the End Cutter button.

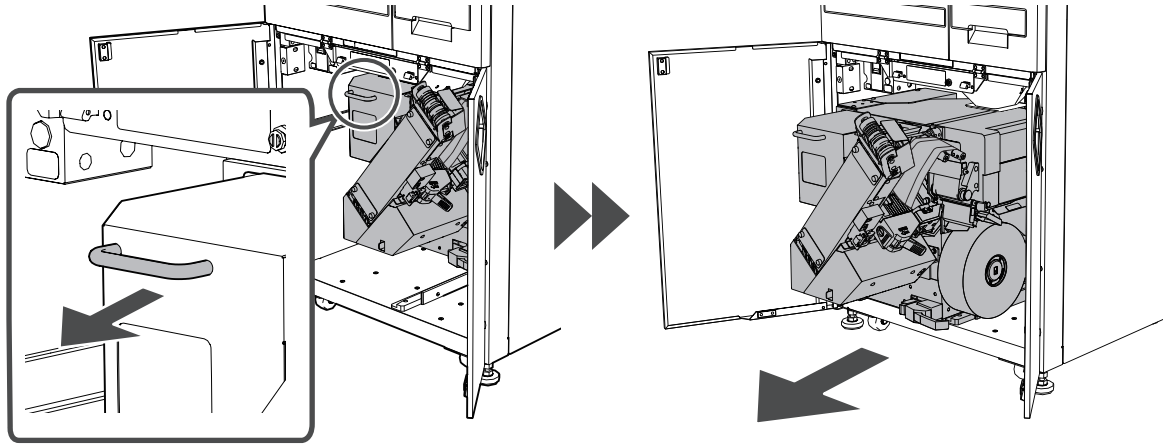
2 Open the lower doors.

Open the left door first and then open the right door.



3 Pull out the packaging unit.

Hold the handle on the packaging unit and then pull it out.



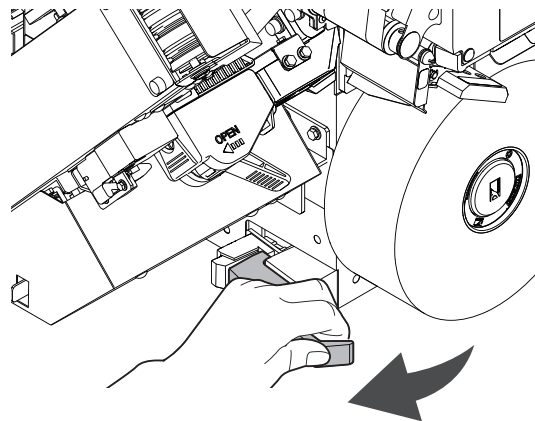
4 Open the packaging unit.

Pull the lever on the packaging unit.
After unlocking the packaging unit, pull it out.



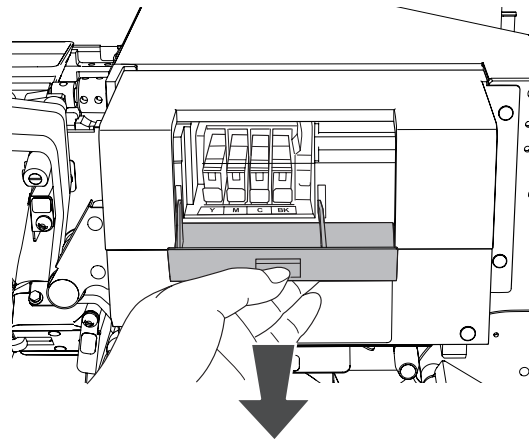
CAUTION

When opening the packaging unit, be careful not to hit against something that could damage the packaging unit.



5 Open the ink tank cover.

Open the ink tank cover.



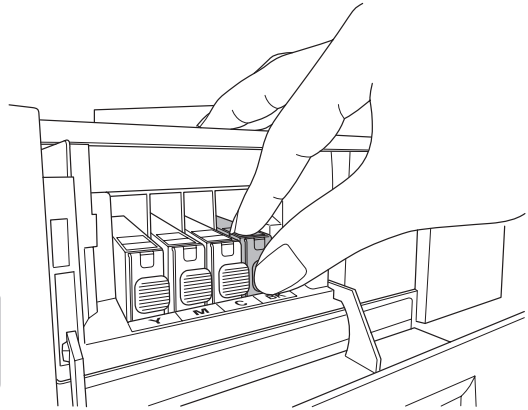
6 Remove the empty ink.

Unlock the ink and remove it.



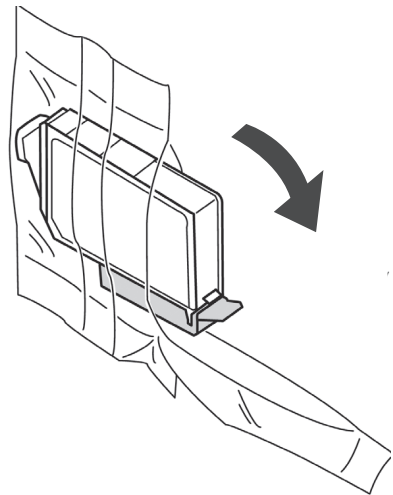
CAUTION

Handle the ink carefully to avoid staining of clothing or the surrounding area.

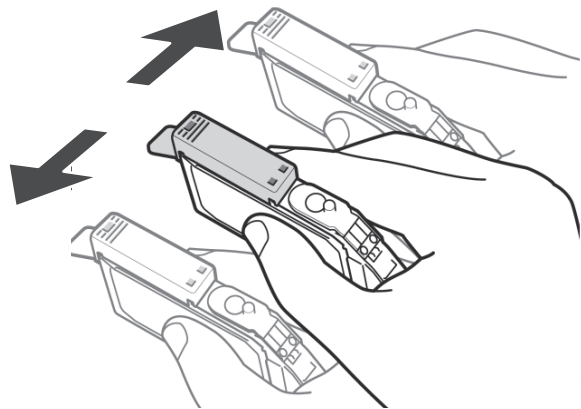


7 Unpack the new ink.

Unpack the new ink.

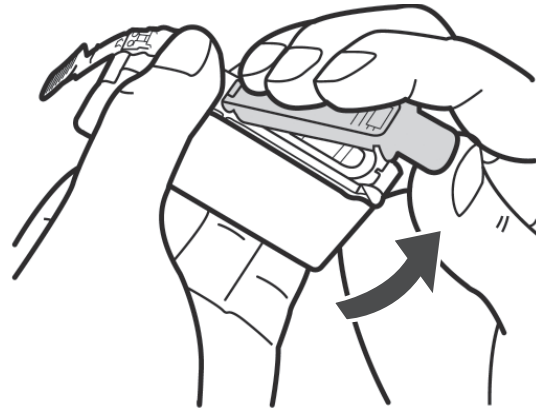


Shake the ink about ten times with the orange protective cap pointing up.



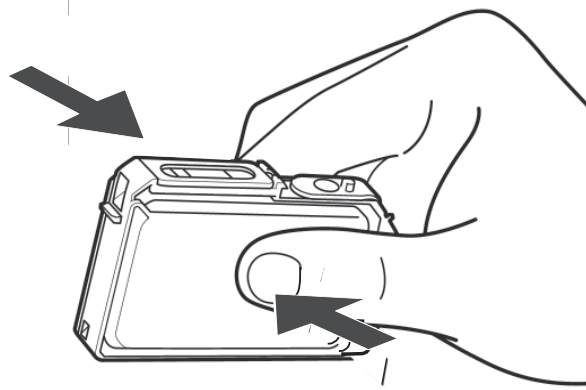
➔ Ink (Inkjet Printer) (Option)

Remove the orange protective cap.
Remove the cap while holding it to avoid ink adhesion to your fingers.
Dispose of the removed protective cap according to the disposal regulations and rules in your community.

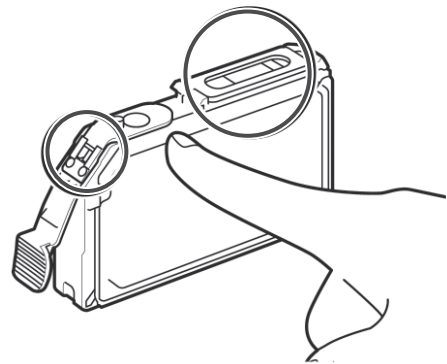


CAUTION

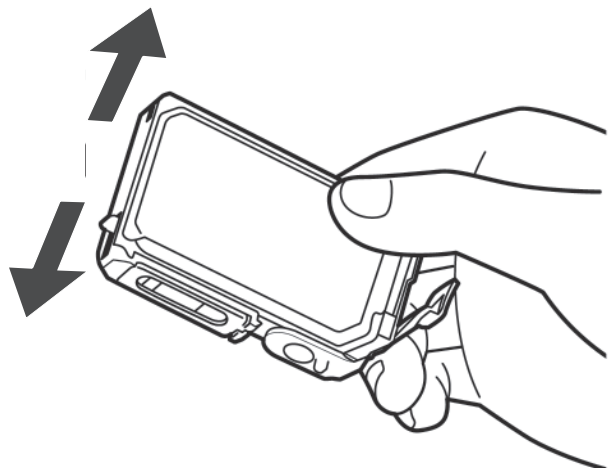
Do not push the sides of the ink strongly.
Doing so may cause the ink to splash.



Do not touch the circuit on the ink.
Doing so may cause the printer to malfunction.
Do not touch the ink port.
Doing so may cause the ink not to be discharged properly.

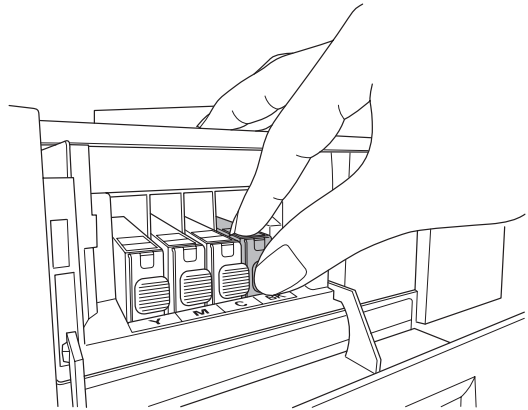


Do not shake the ink with the ink port facing down.
Doing so may cause the ink to leak out of the ink port, resulting in staining of clothing or the surrounding area.
Handle the removed protective cap carefully to avoid staining of clothing or the surrounding area.



8 Attach the new ink.

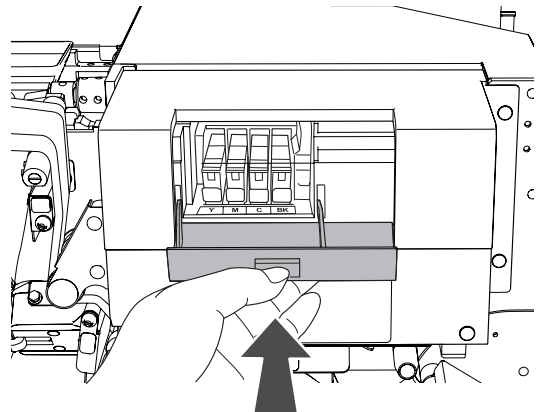
Install the ink with the ink port facing down.
Push the top of the ink until it clicks.
Be sure that the color is correct.



Install the ink in the correct position according to the label.
If not, the printer cannot print. Or it may cause colors to be mixed, resulting in a print failure.
If any ink is not installed, the printer cannot print.
Be sure to install all the inks.
Once the ink is installed, do not detach it unless it needs to be replaced.

9 Close the ink tank cover.

Close the ink tank cover.



10 Return the packaging unit to its original position.

Hold the lever on the packaging unit and push the packaging unit.
Push it all the way in until it clicks.

