

***ROADKING***<sup>®</sup>



**RKING2000  
Noise-Canceling Mono  
Bluetooth<sup>®</sup> Headset  
User Manual**

**Contents:**

Product Overview ----- 3

Basic Operation ----- 4

Bluetooth Pairing and Connection ----- 5

Connection with Two Devices ----- 6

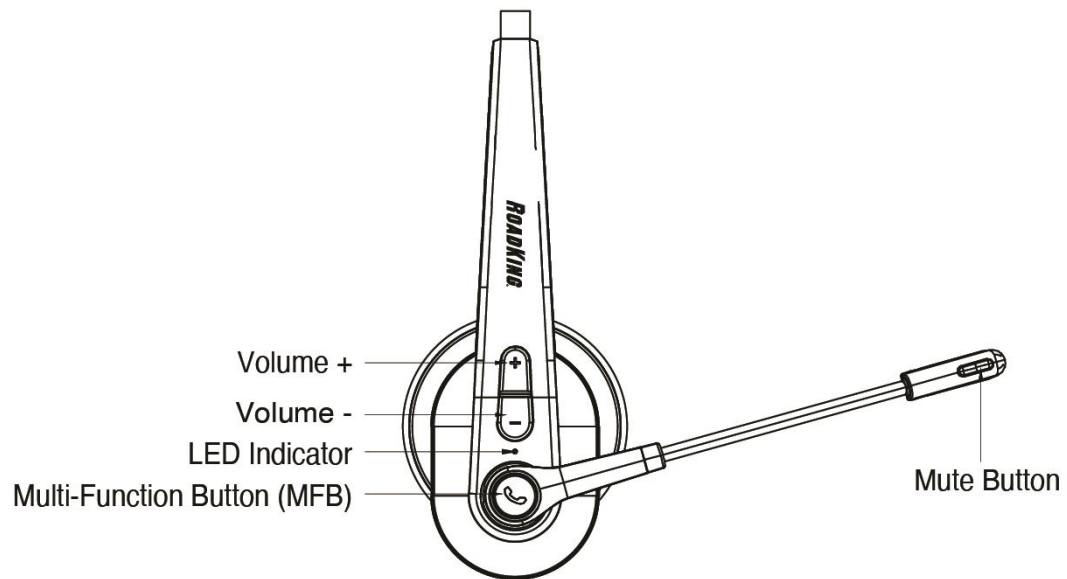
LED Indicator ----- 7

Charging ----- 8

Product Specifications ----- 9

Notes and Q & A ----- 10

## Product Overview



### Package Contents:

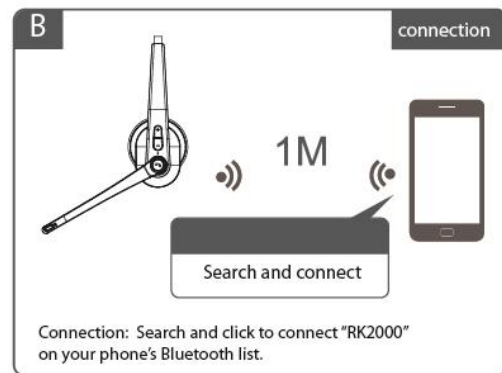
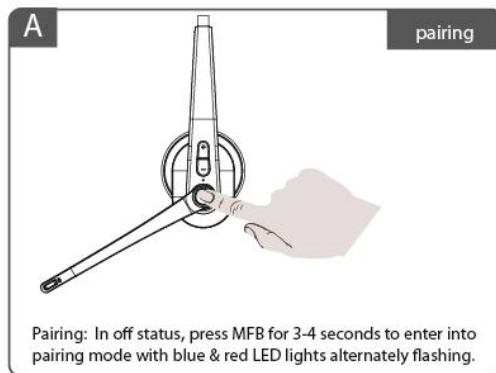
- A. Bluetooth headset RKING2000 x 1
- B. Micro USB charging cable x 1
- C. User manual x 1
- D. Car charger x 1
- E. Sponge microphone cover x 1
- F. Drawstring bag x 1

## Basic Operation

Button	Function	Operation Instructions
MFB	Power on	When device is off, press and hold the MFB for 2 seconds to power on.
	Power off	When device is on, press and hold the MFB for 3 seconds to power off.
	Enter pairing mode	When device is off, press and hold the MFB for 3-4 seconds to enter into pairing mode. When under disconnected standby mode, short click the MFB to enter into pairing mode.
	Play / Pause	Short click when listening to music.
	Redial a call	Double-click the MFB to dial the last number called.
	Voice dial	Hold down the MFB for 1 second, then release.
	Answer a call	Short click when call is incoming
	End a call	To end a call, short click the MFB.
Volume +	Reject a call	To decline an incoming call, hold down the MFB for 1 second.
	Volume up	Short click the Volume + button to increase volume.
Volume -	Next song	Hold down the Volume + button to skip to the next song.
	Volume down	Short click the Volume - button to decrease volume.
	Previous song	Hold down the Volume - button to go back to the previous song.

## Bluetooth Pairing and Connection

- A. When device is off, press and hold the Multi-Function Button (MFB) for 3-4 seconds to enter into pairing mode. The blue & red lights should alternate flashing.
- B. Search and click "RK2000" to connect the headset to your phone's Bluetooth. Once connected, the blue LED light will flash, and you can now play music from your phone to the headset.
- C. You can press the MFB and Volume +/- on the Bluetooth headset to control calls and music.



## Connection with Two Devices

- A. Follow instructions on page 4 to connect first phone, then turn off the Bluetooth function on the first phone.
- B. You'll see the red & blue LED lights flash alternately.
- C. Search and click "RK2000" on the second phone's Bluetooth list. The LED will flash blue once connected.
- D. Turn the first phone's Bluetooth back on and reconnect to "RK2000". The headset will now be connected to two phones.



### Note:

Music can only be played from one phone at a time. When you want to play music from the other phone, you will need to pause or close the music of the previous phone. The same applies during talking status.

## LED Indicator

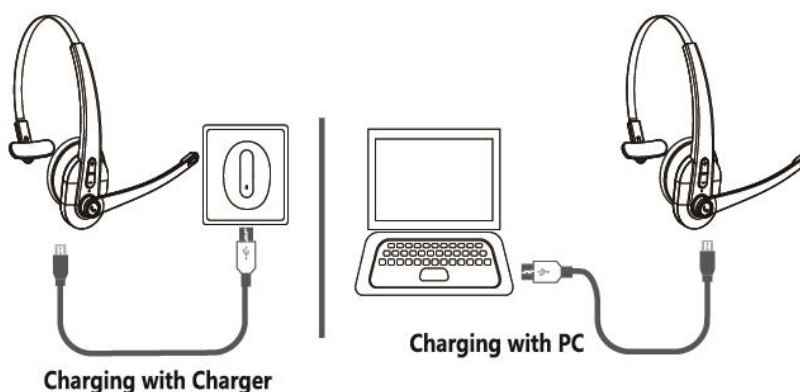
Mode	LED Indicator
Power on	The blue LED light flashes 2 times
Power off	The red LED light flashes 2 times
Pairing mode	The blue & red LED lights flash alternately
Reconnected standby mode	The blue LED light flashes twice every 5 seconds
Connected standby mode	The blue LED light flashes once every 10 seconds
Playing music	The blue LED light flashes once every 10 seconds
Talking	The blue LED light flashes once every 10 seconds
Delete paired record	The blue & red LED lights flash once at the same time
Charging	Solid red LED light
Full charge	The red LED light turns off
Low battery	The red LED light flashes

## Charging

Please charge the RKING2000 at once when the red LED light flashes. Charging time is approximately two hours, and once fully charged, the red light will change to blue.

### Charge Connections

Please connect to the RKING2000 charging port through the Micro USB charging cable. The charger can be used as a car charger, travel charger, computer USB, etc.



### Note:

1. Charge the RKING2000 at least once every two months when not in use.
2. When powered on during charging, it is normal for the charging indicator to cover up the Bluetooth indicator.



## Product Specifications

Bluetooth Version	V5.2
Bluetooth Chipset	BT8926B2
Operation Range	Up to 32 feet
Bluetooth Protocols	HSP, HFP, AVRCP, A2DP
CODEC Code	SBC
Battery Capacity	400mAh/3.7V
Charging Time	2 hours
Stand by Time	400 hours
Working Time	About 24 hours (50% volume)
Headset Net Weight	.17 lbs
Headset Dimension	6.44" x 6.32" x 2.42"

Actual use time will differ depending on environment and music.

## **Notes and Q & A**

### **A. How to reconnect and operate when connection fails?**

When RKING2000 connects to your phone successfully the first time, it will search and reconnect to the paired device automatically going forward. If it fails to connect, repair the phone to reconnect.

### **B. How to delete paired records?**

When powered on, press and hold the Volume + and - buttons for 5 seconds to clear the pairing record. The blue and red indicator lights will flash once at the same time indicating the record has been cleared. Try clearing the records when experiencing a connection problem.

### **C. What is the password for pairing?**

Some devices require a password for pairing. Please try 0000, 8888, 1111, or 1234.

### **D. What device can charge the headset?**

Any car charger, power bank, computer, etc. that is DC 5V with a charging current more than 500mA can be used to charge this headset.

### **E. What to do if the headset won't turn on or connect?**

Try to reset the headset by plugging it into the charging cable and press and hold the MFB. The headset needs to be turned off and back on for full reset.

### **F. Does it power off automatically?**

The headset will power off automatically if it has not had a connection for 10 minutes or if the battery voltage is less than 3.1V.

### **G. How do I operate the three-way calling function?**

When receiving an incoming call, while already on a call...

1. Short click the MFB to answer the new call and end the current call.
2. Double-click the MFB to answer the new call and keep the current call on hold.
3. Click and hold the MFB for two seconds to reject the incoming call. When on a three-way call, double-click the MFB to switch audio between the current call and the call on hold.



## **FCC Statement**

This equipment has been tested and found to comply with the limits for a Class B digital device, pursuant to Part 15 of the FCC Rules. These limits are designed to provide reasonable protection against harmful interference in a residential installation. This equipment generates uses and can radiate radio frequency energy and, if not installed and used in accordance with the instructions, may cause harmful interference to radio communications. However, there is no guarantee that interference will not occur in a particular installation. If this equipment does cause harmful interference to radio or television reception, which can be determined by turning the equipment off and on, the user is encouraged to try to correct the interference by one or more of the following measures:

- Reorient or relocate the receiving antenna.
- Increase the separation between the equipment and receiver.
- Connect the equipment into an outlet on a circuit different from that to which the receiver is connected.
- Consult the dealer or an experienced radio/TV technician for help.

This device complies with part 15 of the FCC Rules. Operation is subject to the following two conditions:

(1) This device may not cause harmful interference, and (2) this device must accept any interference received, including interference that may cause undesired operation.

Changes or modifications not expressly approved by the party responsible for compliance could void the user's authority to operate the equipment.

## **IC Statement**

This device complies with Industry Canada licence-exempt RSS standard(s). Operation is subject to the following two conditions: (1) this device may not cause harmful interference, and (2) this device must accept any interference received, including interference that may cause undesired operation.

Le présent appareil est conforme aux CNR d'Industrie Canada applicables aux appareils radio exempts de licence. L'exploitation est autorisée aux deux conditions suivantes :

- (1) l'appareil ne doit pas produire de brouillage, et
- (2) l'utilisateur de l'appareil doit accepter tout brouillage radioélectrique subi, même si le brouillage est susceptible d'en compromettre le fonctionnement.

ONE-YEAR LIMITED WARRANTY For support, product and warranty information, please visit [www.roadprobrands.com](http://www.roadprobrands.com)

RoadKing® and RoadPro® are registered trademarks owned by DAS Brands, LLC and its affiliated companies. The BLUETOOTH® word mark and logos are registered trademarks owned by Bluetooth SIG, Inc. and any use of such marks by DAS Companies, Inc. is under license. All other trademarks, registered trademarks, copyrights and logos are the property of their respective owners. ©2022 DAS Companies, Inc. and/or affiliates.