

Antenna Specific

Model: M115B

Manufacturer SKY WING Communication Electronics Co.,Ltd

address No.62, 10 Rd, Longyan, Humen Town, Dongguan City,
Guangdong Province

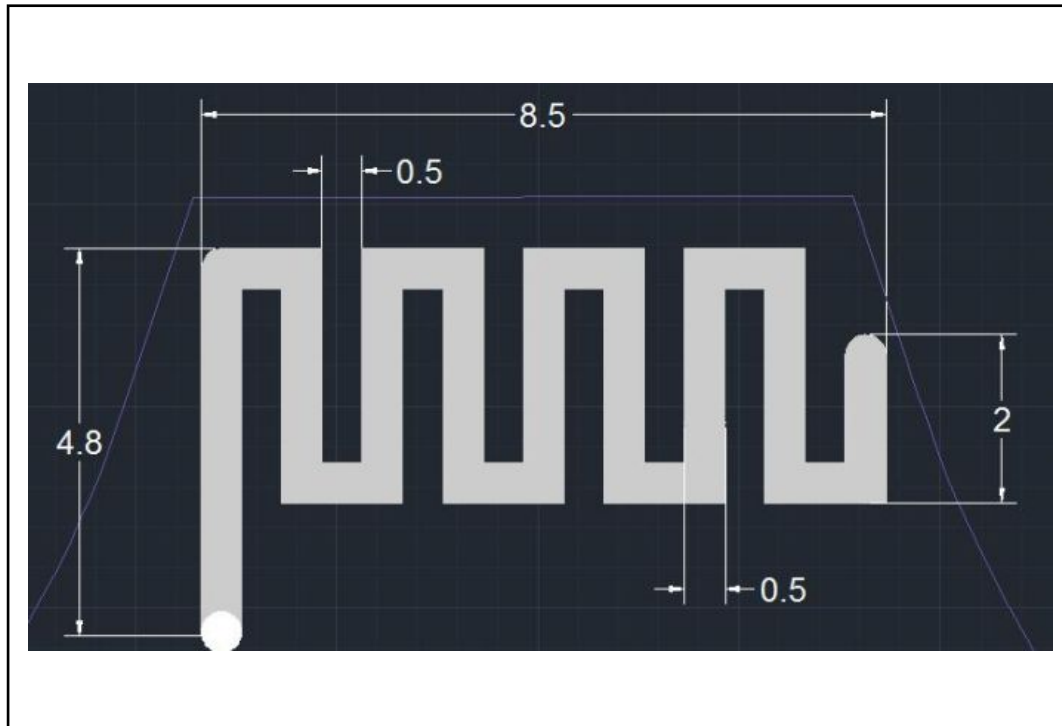
Product Type: Meander Line PCB Antenna

Technical parameter

Electronic Parameter	
Frequency Range	2400~2500MHz
Input impedance	50 Ω
VSWR	≤ 2
Gain	Max 1.8dBi
Physical Parameter	
Material	PCB/Cu
Operation temperature	-30°C~+80°C
Store temperature	-30°C~+80°C

Antenna

Specification



Test Result:

Antenna Specifications		
Frequency VNA	E Total. dBi (dBi)	Efficiency
2400MHz	0.693991	41.07%
2410MHz	1.14338	47.24%
2420MHz	0.223052	40.48%
2430MHz	-0.13659	33.93%
2440MHz	0.35326	37.82%
2450MHz	0.939894	42.77%
2460MHz	1.79838	52.67%
2470MHz	0.649809	41.93%
2480MHz	-0.215933	35.66%
2490MHz	-0.476639	34.62%
2500MHz	0.710741	40.22%

Direction:

