



SAR TEST REPORT

No. I17N00290-SAR

For

Doro AB

LTE Phone

Model Name: DSB-0090

Marketing Name: Doro8040

With

Hardware Version: 1011

Software Version: FRANK01A-S10A_DSB0090_201_USER_170503

FCC ID: WS5DSB0090

Issued Date: 2017-05-15

Note:

The test results in this test report relate only to the devices specified in this report. This report shall not be reproduced except in full without the written approval of CTTL.

Test Laboratory:

CTTL, Telecommunication Technology Labs, Academy of Telecommunication Research, MIIT

No.52, Huayuan North Road, Haidian District, Beijing, P. R. China 100191.

Tel:+86(0)10-62304633-2512,Fax:+86(0)10-62304633-2504

Email:ctl_terminals@catr.cn, website:www.chinattl.com



REPORT HISTORY

| Report Number | Revision | Issue Date | Description |
|----------------------|-----------------|-------------------|---------------------------------|
| I17N00290-SAR | Rev.0 | 2017-05-15 | Initial creation of test report |



TABLE OF CONTENT

| | |
|--|-----------|
| 1 TEST LABORATORY | 5 |
| 1.1 TESTING LOCATION | 5 |
| 1.2 TESTING ENVIRONMENT..... | 5 |
| 1.3 PROJECT DATA | 5 |
| 1.4 SIGNATURE..... | 5 |
| 2 STATEMENT OF COMPLIANCE | 6 |
| 3 CLIENT INFORMATION | 7 |
| 3.1 APPLICANT INFORMATION | 7 |
| 3.2 MANUFACTURER INFORMATION | 7 |
| 4 EQUIPMENT UNDER TEST (EUT) AND ANCILLARY EQUIPMENT (AE) | 8 |
| 4.1 ABOUT EUT | 8 |
| 4.2 INTERNAL IDENTIFICATION OF EUT USED DURING THE TEST | 9 |
| 4.3 INTERNAL IDENTIFICATION OF AE USED DURING THE TEST | 9 |
| 5 TEST METHODOLOGY | 10 |
| 5.1 APPLICABLE LIMIT REGULATIONS | 10 |
| 5.2 APPLICABLE MEASUREMENT STANDARDS..... | 10 |
| 6 SPECIFIC ABSORPTION RATE (SAR) | 11 |
| 6.1 INTRODUCTION..... | 11 |
| 6.2 SAR DEFINITION..... | 11 |
| 7 TISSUE SIMULATING LIQUIDS | 12 |
| 7.1 TARGETS FOR TISSUE SIMULATING LIQUID | 12 |
| 7.2 DIELECTRIC PERFORMANCE | 12 |
| 8 SYSTEM VERIFICATION | 18 |
| 8.1 SYSTEM SETUP | 18 |
| 8.2 SYSTEM VERIFICATION..... | 19 |
| 9 MEASUREMENT PROCEDURES | 20 |
| 9.1 TESTS TO BE PERFORMED | 20 |
| 9.2 GENERAL MEASUREMENT PROCEDURE..... | 21 |
| 9.3 WCDMA MEASUREMENT PROCEDURES FOR SAR | 22 |
| 9.4 BLUETOOTH & WI-FI MEASUREMENT PROCEDURES FOR SAR | 23 |
| 9.5 SAR MEASUREMENT FOR LTE..... | 23 |
| 9.6 POWER DRIFT..... | 24 |
| 10 AREA SCAN BASED 1-G SAR | 25 |
| 10.1 REQUIREMENT OF KDB..... | 25 |
| 10.2 FAST SAR ALGORITHMS | 25 |
| 11 CONDUCTED OUTPUT POWER | 26 |



| | |
|---|------------|
| 11.1 MANUFACTURING TOLERANCE | 26 |
| 11.2 GSM MEASUREMENT RESULT | 29 |
| 11.3 WCDMA MEASUREMENT RESULT..... | 30 |
| 11.4 LTE-FDD MEASUREMENT RESULT | 31 |
| 11.5 WI-FI AND BT MEASUREMENT RESULT | 33 |
| 12 SIMULTANEOUS TX SAR CONSIDERATIONS..... | 35 |
| 12.1 INTRODUCTION..... | 35 |
| 12.2 TRANSMIT ANTENNA SEPARATION DISTANCES | 35 |
| 12.3 SAR MEASUREMENT POSITIONS | 36 |
| 12.4 STANDALONE SAR TEST EXCLUSION CONSIDERATIONS | 36 |
| 13 EVALUATION OF SIMULTANEOUS..... | 37 |
| 14 SAR TEST RESULT | 38 |
| 14.1 SAR RESULTS FOR FAST SAR..... | 39 |
| 14.2 SAR RESULTS FOR STANDARD PROCEDURE | 44 |
| 14.3 WLAN EVALUATION FOR 2.4G..... | 46 |
| 14.4 WLAN EVALUATION FOR 5G..... | 49 |
| 15 SAR MEASUREMENT VARIABILITY..... | 53 |
| 16 MEASUREMENT UNCERTAINTY | 54 |
| 16.1 MEASUREMENT UNCERTAINTY FOR NORMAL SAR TESTS (300MHZ~3GHZ) | 54 |
| 16.2 MEASUREMENT UNCERTAINTY FOR FAST SAR TESTS (300MHZ~3GHZ) | 55 |
| 17 MAIN TEST INSTRUMENTS..... | 58 |
| ANNEX A GRAPH RESULTS..... | 59 |
| ANNEX B SYSTEM VERIFICATION RESULTS | 87 |
| ANNEX C SAR MEASUREMENT SETUP | 100 |
| C.1 MEASUREMENT SET-UP | 100 |
| C.2 DASY5 E-FIELD PROBE SYSTEM..... | 101 |
| C.3 E-FIELD PROBE CALIBRATION | 101 |
| C.4 OTHER TEST EQUIPMENT..... | 102 |
| ANNEX D POSITION OF THE WIRELESS DEVICE IN RELATION TO THE PHANTOM | 106 |
| D.1 GENERAL CONSIDERATIONS..... | 106 |
| D.2 BODY-WORN DEVICE | 107 |
| D.3 DESKTOP DEVICE..... | 107 |
| D.4 DUT SETUP PHOTOS..... | 108 |
| ANNEX E EQUIVALENT MEDIA RECIPES..... | 109 |
| ANNEX F SYSTEM VALIDATION | 110 |
| ANNEX G DAE CALIBRATION CERTIFICATE..... | 111 |
| ANNEX H PROBE CALIBRATION CERTIFICATE..... | 116 |
| ANNEX I DIPOLE CALIBRATION CERTIFICATE..... | 127 |



1 Test Laboratory

1.1 Testing Location

| | |
|---------------|---|
| Company Name: | CTTL(Shenzhen) |
| Address: | TCL International E City No.1001 Zhongshanyuan Road, Nanshan District, Shenzhen, Guangdong Province P.R.China |

1.2 Testing Environment

| | |
|-----------------------------|--------------|
| Temperature: | 18°C~25 °C |
| Relative humidity: | 30%~ 70% |
| Ground system resistance: | < 4Ω |
| Ambient noise & Reflection: | < 0.012 W/kg |

1.3 Project Data

| | |
|---------------------|----------------|
| Project Leader: | Zhang Yunzhuan |
| Test Engineer: | Li Yongfu |
| Testing Start Date: | April 24, 2017 |
| Testing End Date: | May 9, 2017 |

1.4 Signature

Li Yongfu

(Prepared this test report)

Zhang Yunzhuan

(Reviewed this test report)

Cao Junfei

Deputy Director of the laboratory

(Approved this test report)

2 Statement of Compliance

The maximum results of Specific Absorption Rate (SAR) found during testing for Doro AB LTE Phone DSB-0090 are as follows:

Table 2.1: Highest Reported SAR (1g)

| Exposure Configuration | Technology Band | Highest Reported SAR 1g(W/Kg) | Equipment Class |
|--|-----------------|----------------------------------|-----------------|
| Head (Separation Distance 0mm) | GSM850 | 0.43 | PCE |
| | PCS1900 | 0.52 | |
| | UMTS FDD 5 | 0.30 | |
| | UMTS FDD 2 | 0.89 | |
| | LTE Band 7 | 0.37 | |
| | WLAN 2.4GHz | 0.46 | DTS |
| | WLAN 5GHz | 0.56 | UNII |
| Body-worn (Data) (Separation Distance 10mm) | GSM850 | 0.97 | PCE |
| | PCS1900 | 0.87 | |
| | UMTS FDD 5 | 0.40 | |
| | UMTS FDD 2 | 1.07 | |
| | LTE Band 7 | 1.22 | |
| | WLAN 2.4GHz | 0.11 | DTS |
| | WLAN 5GHz | 0.27 | UNII |

The SAR values found for the Mobile Phone are below the maximum recommended levels of 1.6 W/Kg as averaged over any 1g tissue according to the ANSI C95.1-1999.

For body worn operation, this device has been tested and meets FCC RF exposure guidelines when used with any accessory that contains no metal and which provides a minimum separation distance of 10 mm between this device and the body of the user. Use of other accessories may not ensure compliance with FCC RF exposure guidelines.

The EUT battery must be fully charged and checked periodically during the test to ascertain uniform power output.

The measurement together with the test system set-up is described in annex C of this test report. A detailed description of the equipment under test can be found in chapter 4 of this test report.

The highest reported SAR value is obtained at the case of **(Table 2.1)**, and the values are: **1.22W/kg(1g)**.

Table 2.2: The sum of reported SAR values for main antenna and NII

| | Position | Main antenna | NII | Sum |
|-------------------------------------|-------------|--------------|------|-------------|
| Highest reported SAR value for Head | Left Touch | 0.89 | 0.56 | 1.45 |
| | Right Touch | 0.43 | 0.24 | 0.67 |
| Highest reported SAR value for Body | Rear | 0.97 | 0.27 | 1.24 |
| | Bottom | 1.22 | / | 1.22 |

Table 2.3: The sum of reported SAR values for main antenna and DTS

| | Position | Main antenna | DTS | Sum |
|--|-------------|--------------|------|-------------|
| Highest reported SAR value for Head | Left Touch | 0.89 | 0.46 | 1.35 |
| | Right Touch | 0.43 | 0.21 | 0.64 |
| Highest reported SAR value for Body | Rear | 0.97 | 0.11 | 1.08 |
| | Bottom | 1.22 | / | 1.22 |

Table2.4: The sum of reported SAR values for main antenna and BT

| | Position | Main antenna | BT* | Sum |
|--|-------------|--------------|------|-------------|
| Highest reported SAR value for Head | Left Touch | 0.89 | 0.23 | 1.12 |
| | Right Touch | 0.43 | 0.23 | 0.66 |
| Highest reported SAR value for Body | Rear | 0.97 | 0.13 | 1.10 |
| | Bottom | 1.22 | / | 1.22 |

BT*-Estimated SAR for Bluetooth (seethetable13.3)

According to the above tables, the highest sum of reported SAR values is **1.45 W/kg (1g)**. The detail for simultaneous transmission consideration is described in chapter 13.

3 Client Information

3.1 Applicant Information

| | |
|----------------|--|
| Company Name: | Doro AB |
| Address /Post: | Magistratsvägen 10 SE-226 43 Lund Sweden |
| Contact: | Per Carlenhag |
| Email: | per.carlenhag@doro.com |
| Telephone: | +46 46 280 5000 |
| Fax: | +46 46 280 5001 |

3.2 Manufacturer Information

| | |
|----------------|--|
| Company Name: | CK TELECOM LTD. |
| Address /Post: | Technology Road. High-Tech Development Zone. Heyuan, Guangdong, P.R.China |
| Contact: | Xin Li |
| Email: | xin.li@ck-telecom.com |
| Telephone: | 0755-26739100 ext.8515 |
| Fax: | 0755-26739600 |

4 Equipment Under Test (EUT) and Ancillary Equipment (AE)

4.1 About EUT

| | |
|---------------------------------------|---|
| Description: | LTE Phone |
| Model name: | DSB-0090 |
| Marketing name | Doro8040 |
| Operating mode(s): | GSM 850/900, WCDMA 850/1900, LTE_FDD Band 7, BT, Wi-Fi 2.4G/5G |
| Tested Tx Frequency: | 825–848.8 MHz (GSM 850) |
| | 1850.2–1910 MHz (GSM 1900) |
| | 826.4–846.6 MHz (WCDMA850 Band V) |
| | 1852.4–1907.6 MHz (WCDMA1900 Band II) |
| | 2502.5–2567.5 MHz (LTE_FDD Band 7) |
| | 2412 – 2462 MHz (Wi-Fi 2.4G) |
| | 5150 – 5250 MHz (U-NII-1) |
| | 5250 – 5350 MHz (U-NII-2A) |
| 5725 – 5825 MHz (U-NII-3) | |
| GPRS&EGPRS Multislot Class: | 12 |
| GPRS capability Class: | B |
| WCDMA Category: | USAT: 9 |
| | HSDPA: 24 |
| | HSUPA: 7 |
| Release Version: | GSM: Rel97 |
| | GPRS: Rel99 |
| | UMTS: 6 |
| Test device Production information: | Production unit |
| Device type: | Portable device |
| Antenna type: | Integrated antenna |
| Accessories/Body-worn configurations: | / |
| Hotspot mode: | Support |

4.2 Internal Identification of EUT used during the test

| EUT ID* | SN or IMEI | HW Version | SW Version |
|---------|-----------------------|------------|---|
| EUT1 | IMEI: 355115080005942 | 1011 | FRANK01A-S10A_DSB0090 _201_USER_170503 |
| EUT2 | IMEI: 355115080003384 | 1011 | FRANK01A-S10A_DSB0090 _201_USER_170503 |

*EUT ID: is used to identify the test sample in the lab internally.

Note: It is performed to test SAR with the EUT 1, and conducted power with the EUT 2.

4.3 Internal Identification of AE used during the test

| AE ID* | Description | Model | SN | Manufacturer |
|--------|-------------|--------------------|----|--|
| AE1 | Battery | DBN-2920A | / | Coslight Technology International Group Co., Ltd. |
| AE2 | Headset | 150C-333E-3.5MM-24 | / | QUANCHENG ELECTRONIC CO., LTD |

*AE ID: is used to identify the test sample in the lab internally.



5 TEST METHODOLOGY

5.1 Applicable Limit Regulations

ANSI C95.1–1999: IEEE Standard for Safety Levels with Respect to Human Exposure to Radio Frequency Electromagnetic Fields, 3 kHz to 300 GHz.

It specifies the maximum exposure limit of **1.6 W/kg** as averaged over any 1 gram of tissue for portable devices being used within 20 cm of the user in the uncontrolled environment.

5.2 Applicable Measurement Standards

IEEE 1528–2013: Recommended Practice for Determining the Peak Spatial-Average Specific Absorption Rate (SAR) in the Human Head from Wireless Communications Devices: Experimental Techniques.

KDB447498 D01 General RF Exposure Guidance v06: Mobile and Portable Devices RF Exposure Procedures and Equipment Authorization Policies.

KDB648474 D04 Handset SAR v01r03: SAR Evaluation Considerations for Wireless Handsets.

KDB941225 D01 SAR test for 3G devices v03r01: SAR Measurement Procedures for 3G Devices

KDB941225 D05 SAR for LTE Devices v02r05: SAR Evaluation Considerations for LTE Devices

KDB 941225 D06 Hot Spot SAR v02r01: SAR Evaluation Procedures for Portable Devices with Wireless Router Capabilities

KDB 248227 D01 802.11 Wi-Fi SAR v02r02: SAR Guidance for IEEE 802.11 (Wi-Fi) Transmitters.

KDB 865664 D01 SAR measurement 100 MHz to 6 GHz v01r04: SAR Measurement Requirements for 100 MHz to 6 GHz.

KDB 865664 D02 RF Exposure Reporting v01r02: RF Exposure Compliance Reporting and Documentation Considerations

6 Specific Absorption Rate (SAR)

6.1 Introduction

SAR is related to the rate at which energy is absorbed per unit mass in an object exposed to a radio field. The SAR distribution in a biological body is complicated and is usually carried out by experimental techniques or numerical modeling. The standard recommends limits for two tiers of groups, occupational/controlled and general population/uncontrolled, based on a person's awareness and ability to exercise control over his or her exposure. In general, occupational/controlled exposure limits are higher than the limits for general population/uncontrolled.

6.2 SAR Definition

The SAR definition is the time derivative (rate) of the incremental energy (dW) absorbed by (dissipated in) an incremental mass (dm) contained in a volume element (dv) of a given density (ρ). The equation description is as below:

$$SAR = \frac{d}{dt} \left(\frac{dW}{dm} \right) = \frac{d}{dt} \left(\frac{dW}{\rho dv} \right)$$

SAR is expressed in units of Watts per kilogram (W/kg)

SAR measurement can be either related to the temperature elevation in tissue by

$$SAR = c \left(\frac{\delta T}{\delta t} \right)$$

Where: C is the specific heat capacity, δT is the temperature rise and δt is the exposure duration, or related to the electrical field in the tissue by

$$SAR = \frac{\sigma |E|^2}{\rho}$$

Where: σ is the conductivity of the tissue, ρ is the mass density of tissue and E is the RMS electrical field strength.

However for evaluating SAR of low power transmitter, electrical field measurement is typically applied.

7 Tissue Simulating Liquids

7.1 Targets for tissue simulating liquid

Table 7.1: Targets for tissue simulating liquid

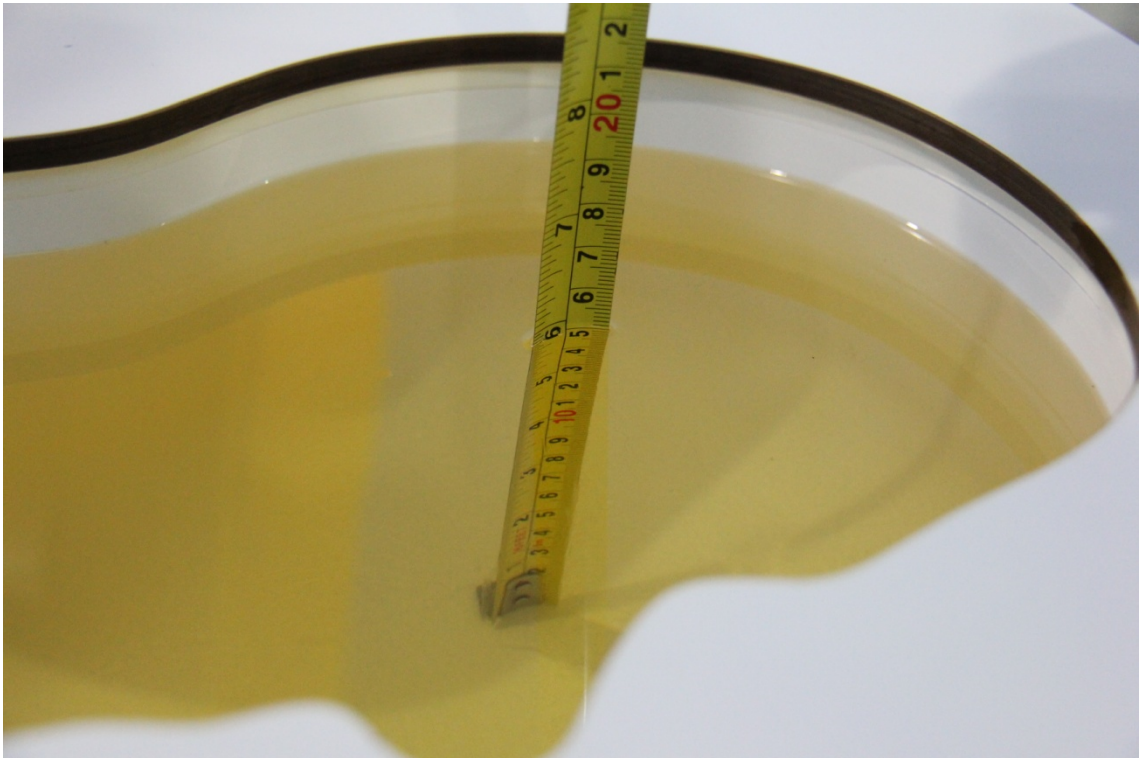
| Frequency (MHz) | Liquid Type | Conductivity (σ) | $\pm 5\%$ Range | Permittivity (ϵ) | $\pm 5\%$ Range |
|-----------------|-------------|---------------------------|-----------------|-----------------------------|-----------------|
| 835 | Head | 0.90 | 0.86~0.95 | 41.5 | 39.4~43.6 |
| 835 | Body | 0.97 | 0.92~1.02 | 55.2 | 52.4~58.0 |
| 1900 | Head | 1.40 | 1.33~1.47 | 40.0 | 38.0~42.0 |
| 1900 | Body | 1.52 | 1.44~1.60 | 53.3 | 50.6~56.0 |
| 2450 | Head | 1.80 | 1.71~1.89 | 39.2 | 37.2~41.2 |
| 2450 | Body | 1.95 | 1.85~2.05 | 52.7 | 50.1~55.3 |
| 2550 | Head | 1.91 | 1.81~2.01 | 39.07 | 37.1~41.0 |
| 2550 | Body | 2.09 | 1.99~2.19 | 52.6 | 50.0~55.2 |
| 5200 | Head | 4.66 | 4.43~4.89 | 35.99 | 34.2~37.7 |
| 5200 | Body | 4.90 | 4.66~5.14 | 49.0 | 46.6~51.4 |
| 5800 | Head | 5.27 | 5.01~5.53 | 35.3 | 33.5~37.1 |
| 5800 | Body | 6.00 | 5.70~6.30 | 48.2 | 45.8~50.6 |

7.2 Dielectric Performance

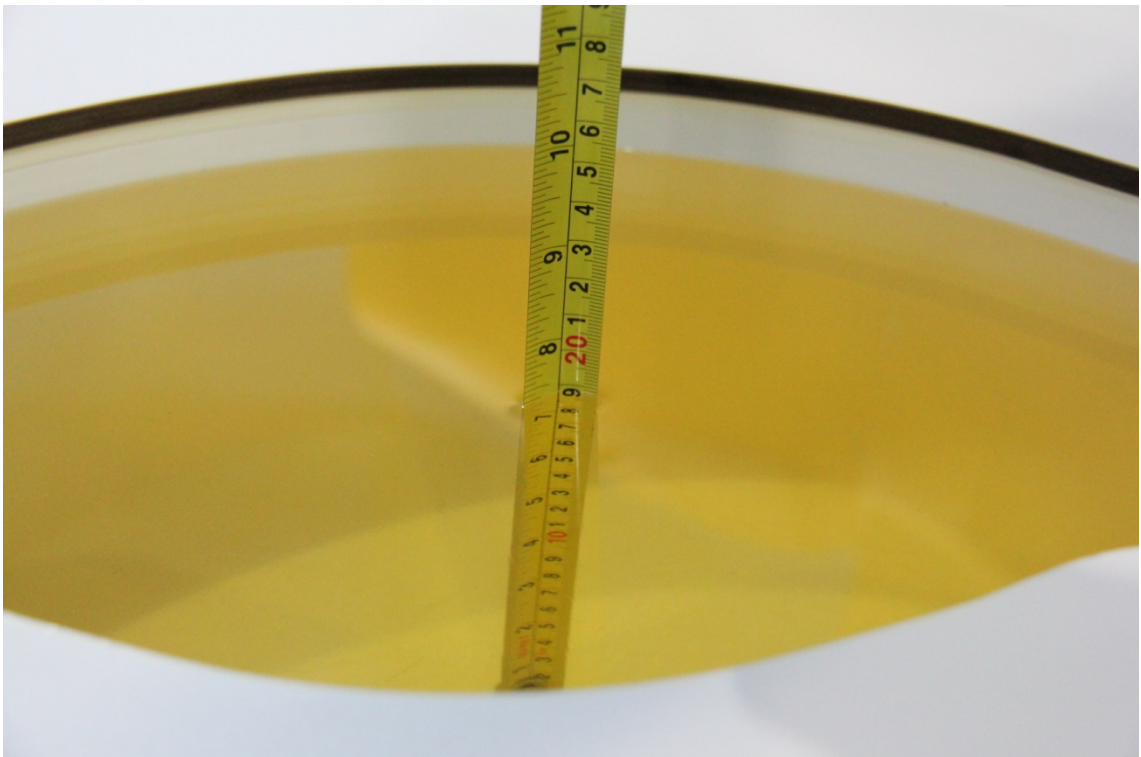
Table 7.2: Dielectric Performance of Tissue Simulating Liquid

| Measurement Date (yyyy-mm-dd) | Type | Frequency | Permittivity ϵ | Drift (%) | Conductivity σ (S/m) | Drift (%) |
|-------------------------------|------|-----------|-------------------------|-----------|-----------------------------|-----------|
| 2017-4-24 | Head | 835 | 40.86 | -1.54 | 0.924 | 2.67 |
| 2017-4-24 | Body | 835 | 53.74 | -2.64 | 0.995 | 2.58 |
| 2017-4-26 | Head | 1900 | 39.25 | -1.88 | 1.406 | -0.43 |
| 2017-4-26 | Body | 1900 | 52.28 | -1.91 | 1.543 | 1.51 |
| 2017-5-9 | Head | 2450 | 38.62 | -1.48 | 1.832 | 1.78 |
| 2017-5-9 | Body | 2450 | 51.28 | -2.69 | 1.986 | 1.85 |
| 2016-4-28 | Head | 2550 | 38.47 | -1.54 | 1.935 | 1.31 |
| 2016-4-28 | Body | 2550 | 53.36 | 1.44 | 2.115 | 1.20 |
| 2017-5-9 | Head | 5200 | 36.27 | 0.78 | 4.586 | -1.59 |
| 2017-5-9 | Body | 5200 | 47.96 | -2.12 | 4.784 | -2.37 |
| 2017-5-9 | Head | 5800 | 34.52 | -2.21 | 5.192 | -1.48 |
| 2017-5-9 | Body | 5800 | 46.84 | -2.82 | 6.233 | 3.88 |

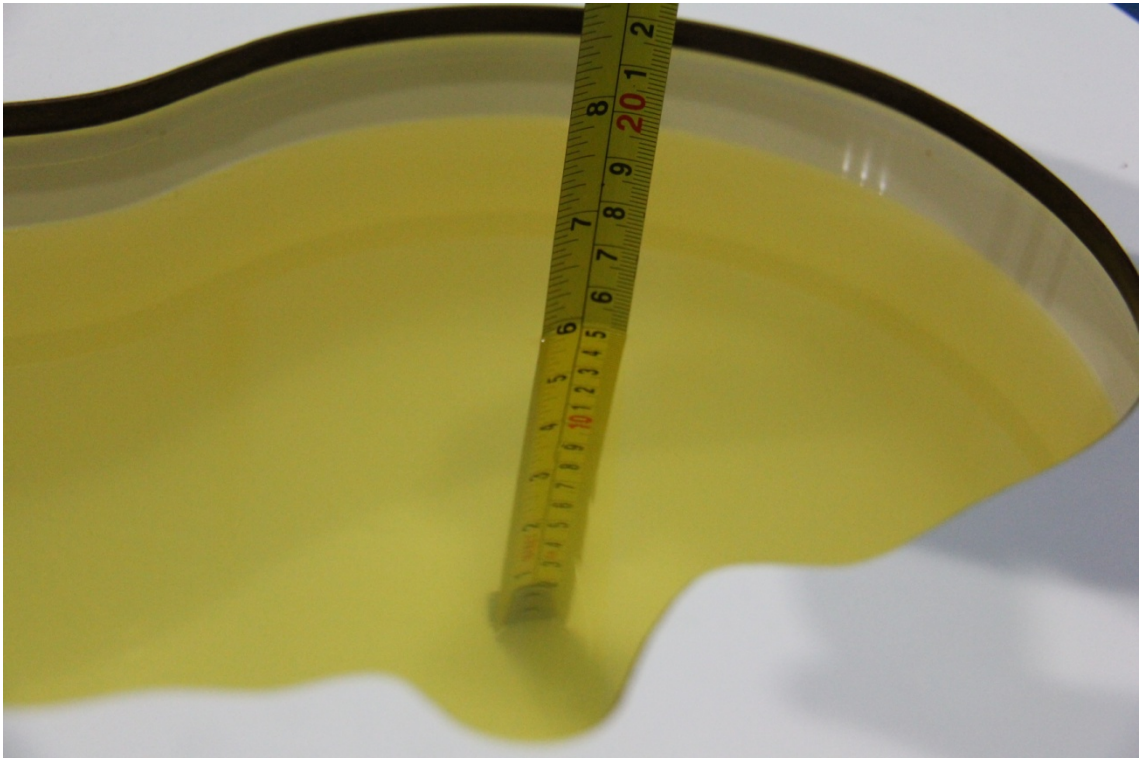
Note: The liquid temperature is 22.0°C



Picture 7-1: Liquid depth in the Head Phantom (835 MHz)



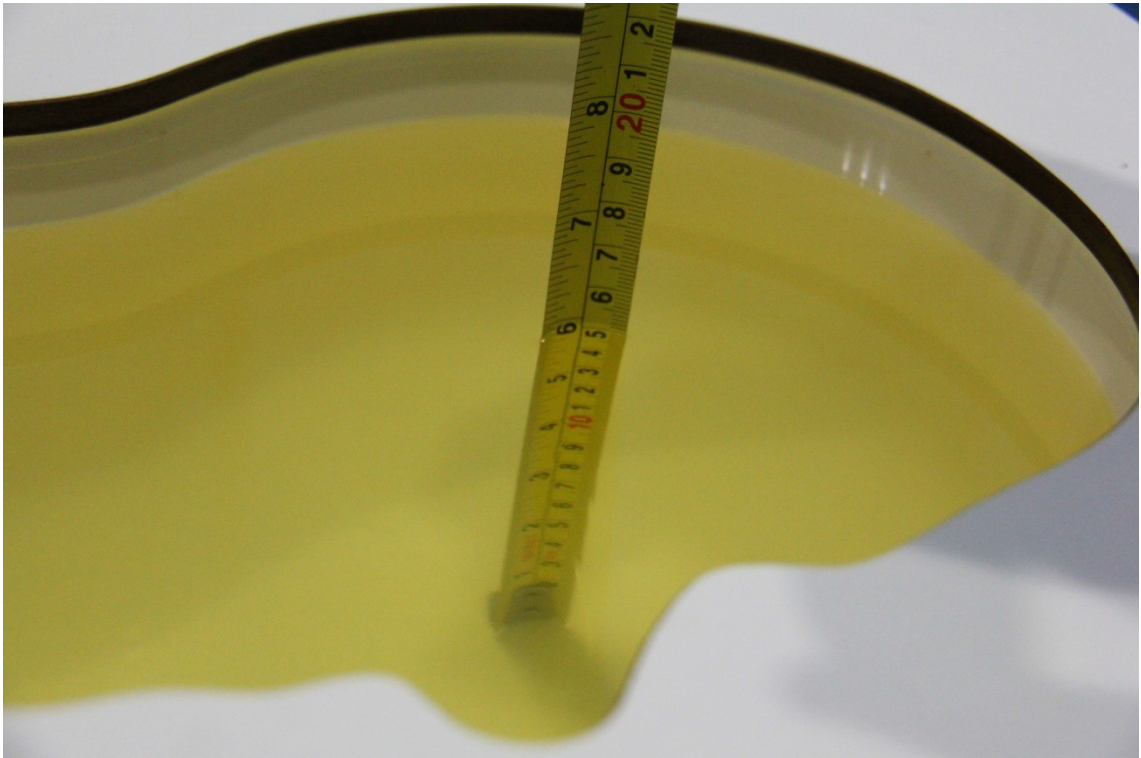
Picture 7-2: Liquid depth in the Flat Phantom (835 MHz)



Picture 7-3: Liquid depth in the Head Phantom (1900 MHz)



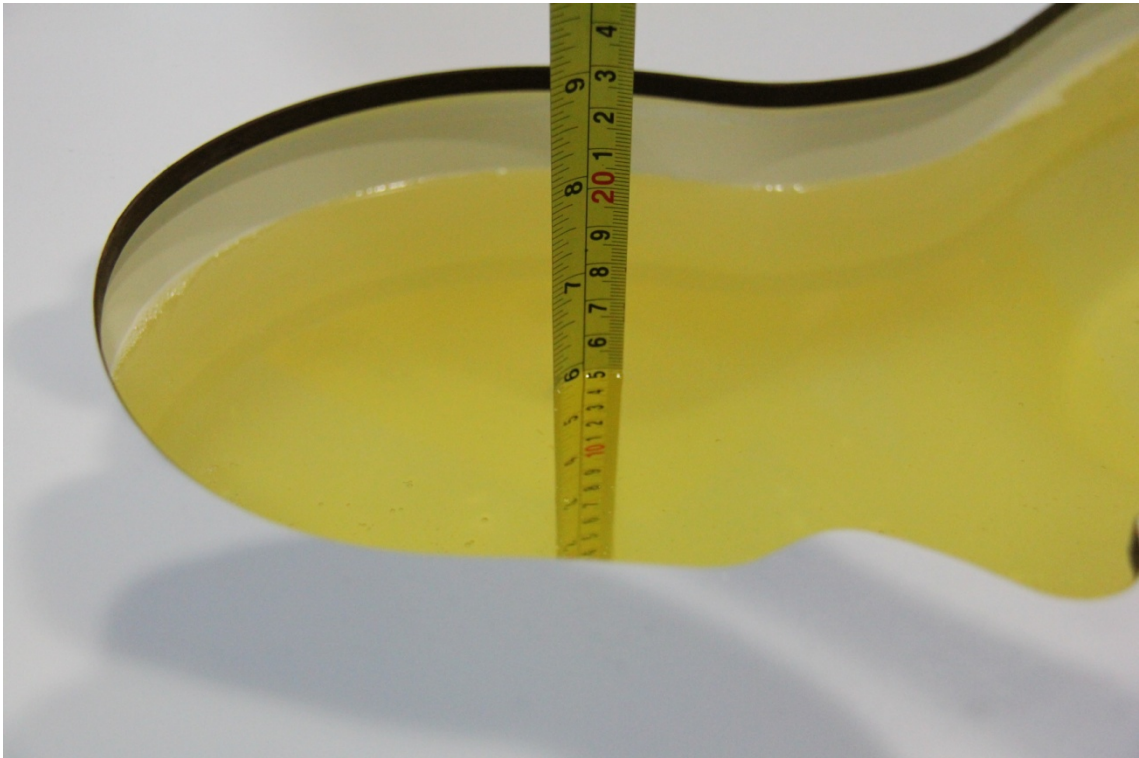
Picture 7-4: Liquid depth in the Flat Phantom (1900MHz)



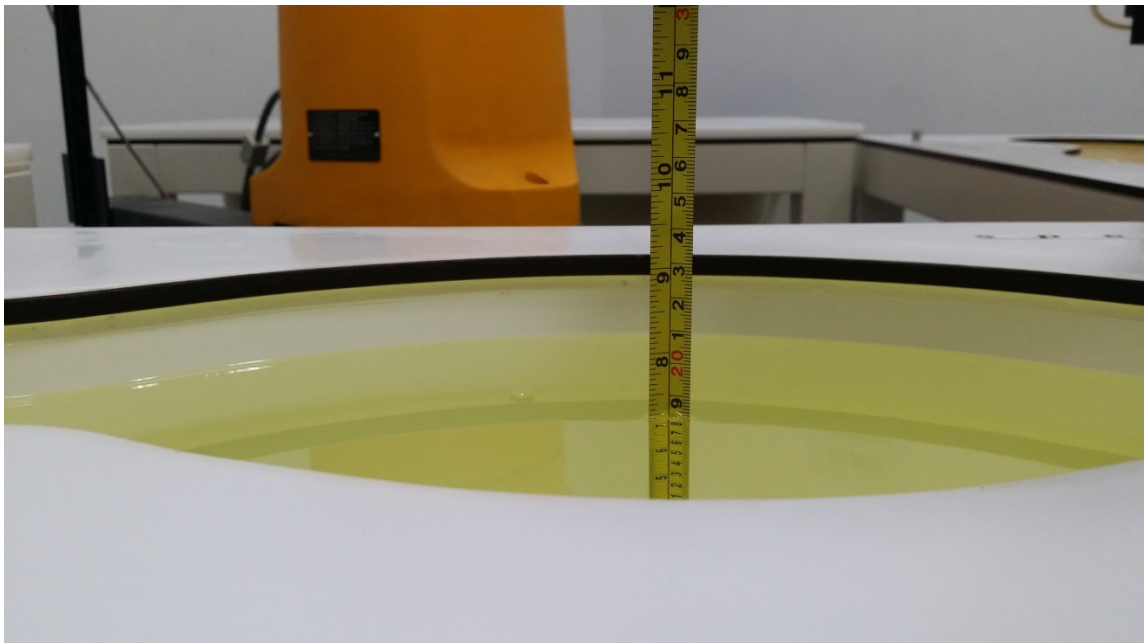
Picture 7-5: Liquid depth in the Head Phantom (2450 MHz)



Picture 7-6: Liquid depth in the Flat Phantom (2450MHz)



Picture 7-7: Liquid depth in the Head Phantom(2550MHz)



Picture 7-8: Liquid depth in the Flat Phantom(2550MHz)



Picture 7-9: Liquid depth in the Head Phantom(5G)

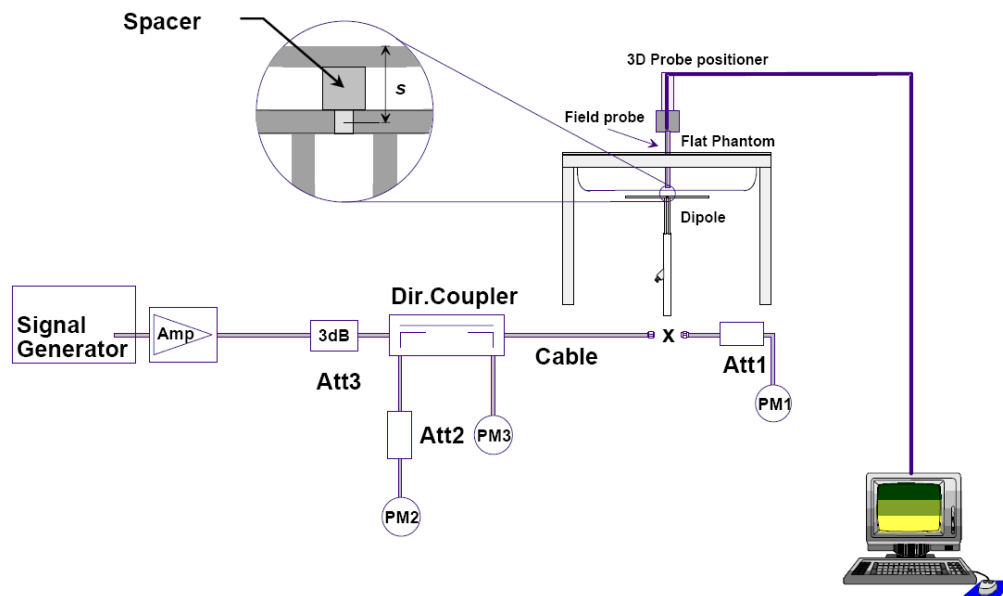


Picture 7-10: Liquid depth in the Flat Phantom (5G)

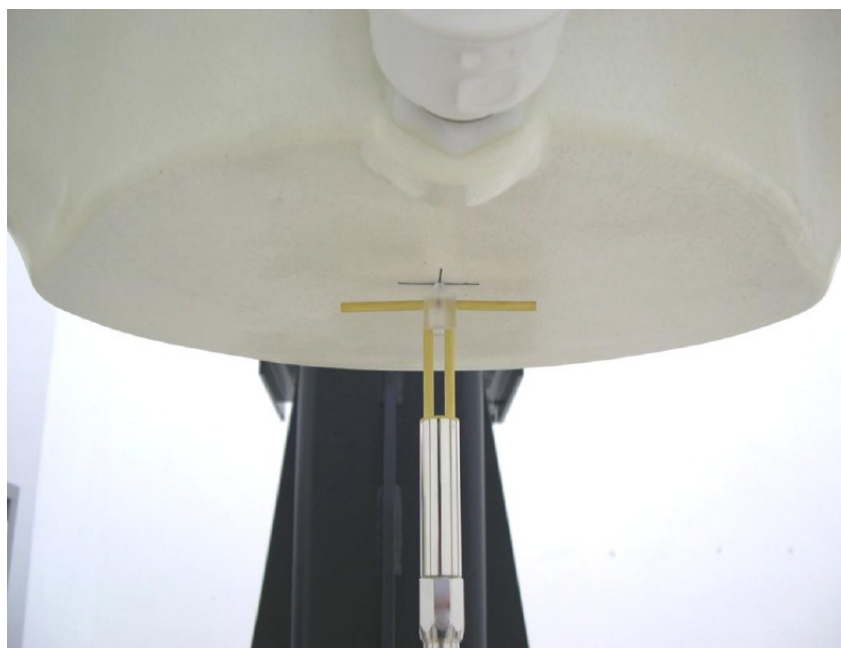
8 System verification

8.1 System Setup

In the simplified setup for system evaluation, the DUT is replaced by a calibrated dipole and the power source is replaced by a continuous wave that comes from a signal generator. The calibrated dipole must be placed beneath the flat phantom section of the SAM twin phantom with the correct distance holder. The distance holder should touch the phantom surface with a light pressure at the reference marking and be oriented parallel to the long side of the phantom. The equipment setup is shown below:



Picture 8.1 System Setup for System Evaluation



Picture 8.2 Photo of Dipole Setup

8.2 System Verification

SAR system verification is required to confirm measurement accuracy, according to the tissue dielectric media, probe calibration points and other system operating parameters required for measuring the SAR of a test device. The system verification must be performed for each frequency band and within the valid range of each probe calibration point required for testing the device.

The system verification results are required that the area scan estimated 1-g SAR is within 3% of the zoom scan 1-g SAR. The details are presented in annex B.

Table 8.1: System Verification of Head

| Measurement Date (yyyy-mm-dd) | Frequency | Target value (W/kg) | | Measured value (W/kg) | | Deviation (%) | |
|----------------------------------|-----------|---------------------|----------------|-----------------------|----------------|-----------------|----------------|
| | | 10 g Average | 1 g Average | 10 g Average | 1 g Average | 10 g Average | 1 g Average |
| 2017-4-24 | 835 MHz | 6.03 | 9.22 | 5.96 | 9.00 | -1.16 | -2.39 |
| 2017-4-26 | 1900 MHz | 21.0 | 40.8 | 21.26 | 41.40 | 1.24 | 1.47 |
| 2017-5-9 | 2450 MHz | 24.1 | 52.5 | 23.44 | 50.80 | -2.74 | -3.24 |
| 2017-4-28 | 2550 MHz | 26.2 | 57.2 | 26.36 | 58.80 | 0.61 | 2.80 |
| 2017-5-9 | 5200 MHz | 21.9 | 76.9 | 22.30 | 78.80 | 1.83 | 2.47 |
| 2017-5-9 | 5800 MHz | 22.3 | 78.8 | 22.80 | 80.90 | 2.24 | 2.66 |

Table 8.2: System Verification of Body

| Measurement Date (yyyy-mm-dd) | Frequency | Target value (W/kg) | | Measured value (W/kg) | | Deviation (%) | |
|----------------------------------|-----------|---------------------|----------------|-----------------------|----------------|-----------------|----------------|
| | | 10 g Average | 1 g Average | 10 g Average | 1 g Average | 10 g Average | 1 g Average |
| 2017-4-24 | 835 MHz | 6.20 | 9.44 | 6.08 | 9.12 | -1.94 | -3.39 |
| 2017-4-26 | 1900 MHz | 21.3 | 41.1 | 21.88 | 42.40 | 2.72 | 3.16 |
| 2017-5-9 | 2450 MHz | 24.4 | 52.3 | 24.68 | 54.00 | 1.15 | 3.25 |
| 2017-4-28 | 2550 MHz | 25.1 | 54.8 | 24.44 | 52.80 | -2.63 | -3.65 |
| 2017-5-9 | 5200 MHz | 20.9 | 74.4 | 20.60 | 72.60 | -1.44 | -2.42 |
| 2017-5-9 | 5800 MHz | 21.1 | 76.2 | 20.70 | 74.40 | -1.90 | -2.36 |

9 Measurement Procedures

9.1 Tests to be performed

In order to determine the highest value of the peak spatial-average SAR of a handset, all device positions, configurations and operational modes shall be tested for each frequency band according to steps 1 to 3 below. A flowchart of the test process is shown in picture 9.1.

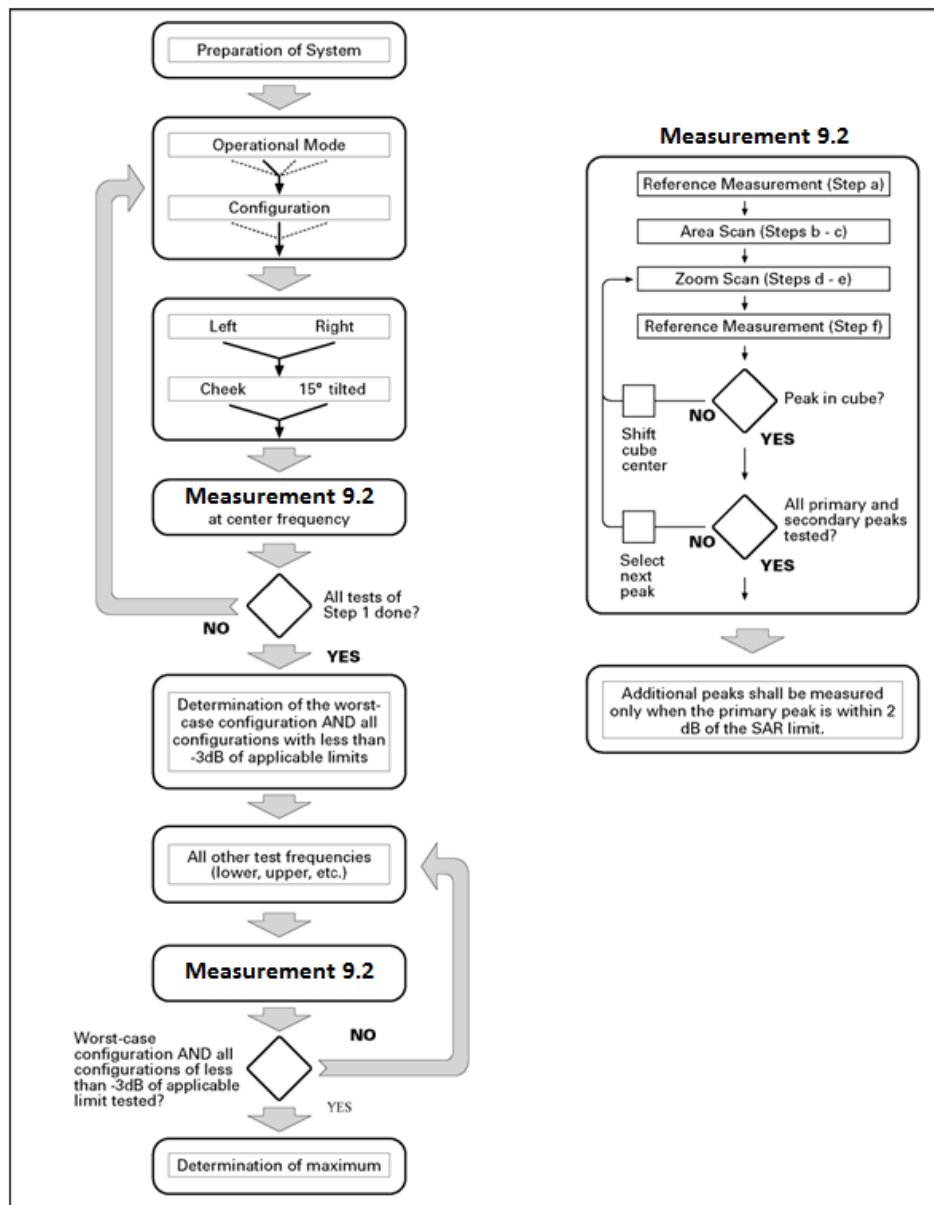
Step 1: The tests described in 9.2 shall be performed at the channel that is closest to the center of the transmit frequency band (f_c) for:

- a) all device positions (cheek and tilt, for both left and right sides of the SAM phantom, as described in annex D),
- b) all configurations for each device position in a), e.g., antenna extended and retracted, and
- c) all operational modes, e.g., analogue and digital, for each device position in a) and configuration in b) in each frequency band.

If more than three frequencies need to be tested according to 11.1 (i.e., $N_c > 3$), then all frequencies, configurations and modes shall be tested for all of the above test conditions.

Step 2: For the condition providing highest peak spatial-average SAR determined in Step 1, perform all tests described in 9.2 at all other test frequencies, i.e., lowest and highest frequencies. In addition, for all other conditions (device position, configuration and operational mode) where the peak spatial-average SAR value determined in Step 1 is within 3 dB of the applicable SAR limit, it is recommended that all other test frequencies shall be tested as well.

Step 3: Examine all data to determine the highest value of the peak spatial-average SAR found in Steps 1 to 2.



Picture 9.1 Block diagram of the tests to be performed

9.2 General Measurement Procedure

The area and zoom scan resolutions specified in the table below must be applied to the SAR measurements and fully documented in SAR reports to qualify for TCB approval. Probe boundary effect error compensation is required for measurements with the probe tip closer than half a probe tip diameter to the phantom surface. Both the probe tip diameter and sensor offset distance must satisfy measurement protocols; to ensure probe boundary effect errors are minimized and the higher fields closest to the phantom surface can be correctly measured and extrapolated to the phantom surface for computing 1-g SAR. Tolerances of the post-processing algorithms must be verified by the test laboratory for the scan resolutions used in the SAR measurements, according to the reference distribution functions specified in IEEE Std 1528-2013. The results should be documented as part of the system validation records and may be requested to support test results

when all the measurement parameters in the following table are not satisfied.

| | | ≤ 3 GHz | > 3 GHz |
|--|---|--|---|
| Maximum distance from closest measurement point (geometric center of probe sensors) to phantom surface | | 5 ± 1 mm | $\frac{1}{2} \delta \ln(2) \pm 0.5$ mm |
| Maximum probe angle from probe axis to phantom surface normal at the measurement location | | $30^\circ \pm 1^\circ$ | $20^\circ \pm 1^\circ$ |
| Maximum area scan spatial resolution: $\Delta x_{Area}, \Delta y_{Area}$ | | ≤ 2 GHz: ≤ 15 mm 2 – 3 GHz: ≤ 12 mm | 3 – 4 GHz: ≤ 12 mm 4 – 6 GHz: ≤ 10 mm |
| | | When the x or y dimension of the test device, in the measurement plane orientation, is smaller than the above, the measurement resolution must be \leq the corresponding x or y dimension of the test device with at least one measurement point on the test device. | |
| Maximum zoom scan spatial resolution: $\Delta x_{Zoom}, \Delta y_{Zoom}$ | | ≤ 2 GHz: ≤ 8 mm 2 – 3 GHz: ≤ 5 mm* | 3 – 4 GHz: ≤ 5 mm* 4 – 6 GHz: ≤ 4 mm* |
| Maximum zoom scan spatial resolution, normal to phantom surface | uniform grid: $\Delta z_{Zoom}(n)$ | ≤ 5 mm | 3 – 4 GHz: ≤ 4 mm 4 – 5 GHz: ≤ 3 mm 5 – 6 GHz: ≤ 2 mm |
| | graded grid $\Delta z_{Zoom}(1)$: between 1 st two points closest to phantom surface | ≤ 4 mm | 3 – 4 GHz: ≤ 3 mm 4 – 5 GHz: ≤ 2.5 mm 5 – 6 GHz: ≤ 2 mm |
| | $\Delta z_{Zoom}(n>1)$: between subsequent points | $\leq 1.5 \cdot \Delta z_{Zoom}(n-1)$ | |
| Minimum zoom scan volume | x, y, z | ≥ 30 mm | 3 – 4 GHz: ≥ 28 mm 4 – 5 GHz: ≥ 25 mm 5 – 6 GHz: ≥ 22 mm |
| Note: δ is the penetration depth of a plane-wave at normal incidence to the tissue medium; see draft standard IEEE P1528-2011 for details. * When zoom scan is required and the <i>reported</i> SAR from the area scan based <i>I-g SAR estimation</i> procedures of KDB 447498 is ≤ 1.4 W/kg, ≤ 8 mm, ≤ 7 mm and ≤ 5 mm zoom scan resolution may be applied, respectively, for 2 GHz to 3 GHz, 3 GHz to 4 GHz and 4 GHz to 6 GHz. | | | |

9.3 WCDMA Measurement Procedures for SAR

The following procedures are applicable to WCDMA handsets operating under 3GPP Release99, Release 5 and Release 6. The default test configuration is to measure SAR with an established radio link between the DUT and a communication test set using a 12.2kbps RMC (reference measurement channel) configured in Test Loop Mode 1. SAR is selectively confirmed for other physical channel configurations (DPCCH & DPDCH_n), HSDPA and HSPA (HSUPA/HSDPA) modes according to output power, exposure conditions and device operating capabilities. Both uplink and downlink should be configured with the same RMC or AMR, when required. SAR for Release 5 HSDPA and Release 6 HSPA are measured using the applicable FRC (fixed reference channel) and E-DCH reference channel configurations. Maximum output power is verified according to applicable versions of 3GPP TS 34.121 and SAR must be measured according to these maximum output conditions. When Maximum Power Reduction (MPR) is not implemented according to Cubic Metric (CM) requirements for Release 6 HSPA, the following procedures do not apply.

For Release 5 HSDPA Data Devices:

| Sub-test | β_c | β_d | β_d (SF) | β_c / β_d | β_{hs} | CM/dB |
|----------|-----------|-----------|----------------|---------------------|--------------|-------|
| 1 | 2/15 | 15/15 | 64 | 2/15 | 4/15 | 0.0 |
| 2 | 12/15 | 15/15 | 64 | 12/15 | 24/25 | 1.0 |
| 3 | 15/15 | 8/15 | 64 | 15/8 | 30/15 | 1.5 |
| 4 | 15/15 | 4/15 | 64 | 15/4 | 30/15 | 1.5 |

For Release 6 HSPA Data Devices

| Sub-test | β_c | β_d | β_d (SF) | β_c / β_d | β_{hs} | β_{ec} | β_{ed} | β_{ed} (SF) | β_{ed} (codes) | CM (dB) | MPR (dB) | AG Index | E-TFCI |
|----------|-----------|-----------|----------------|---------------------|--------------|--------------|--|-------------------|----------------------|---------|----------|----------|--------|
| 1 | 11/15 | 15/15 | 64 | 11/15 | 22/15 | 209/225 | 1039/225 | 4 | 1 | 1.0 | 0.0 | 20 | 75 |
| 2 | 6/15 | 15/15 | 64 | 6/15 | 12/15 | 12/15 | 12/15 | 4 | 1 | 3.0 | 2.0 | 12 | 67 |
| 3 | 15/15 | 9/15 | 64 | 15/9 | 30/15 | 30/15 | $\beta_{ed1}:47/15$ $\beta_{ed2}:47/15$ | 4 | 2 | 2.0 | 1.0 | 15 | 92 |
| 4 | 2/15 | 15/15 | 64 | 2/15 | 4/15 | 4/15 | 56/75 | 4 | 1 | 3.0 | 2.0 | 17 | 71 |
| 5 | 15/15 | 15/15 | 64 | 15/15 | 24/15 | 30/15 | 134/15 | 4 | 1 | 1.0 | 0.0 | 21 | 81 |

9.4 Bluetooth & Wi-Fi Measurement Procedures for SAR

Normal network operating configurations are not suitable for measuring the SAR of 802.11 transmitters in general. Unpredictable fluctuations in network traffic and antenna diversity conditions can introduce undesirable variations in SAR results. The SAR for these devices should be measured using chipset based test mode software to ensure that the results are consistent and reliable.

Chipset based test mode software is hardware dependent and generally varies among manufacturers. The device operating parameters established in a test mode for SAR measurements must be identical to those programmed in production units, including output power levels, amplifier gain settings and other RF performance tuning parameters. The test frequencies should correspond to actual channel frequencies defined for domestic use. SAR for devices with switched diversity should be measured with only one antenna transmitting at a time during each SAR measurement, according to a fixed modulation and data rate. The same data pattern should be used for all measurements.

9.5 SAR Measurement for LTE

SAR tests for LTE are performed with a base station simulator, Anristu MT8820C. Closed loop power control was used so the UE transmits with maximum output power during SAR testing. All powers were measured with the Anristu MT8820C. It is performed for conducted power and SAR based on the KDB941225 D05.

SAR is evaluated separately according to the following procedures for the different test positions in each exposure condition – head, body, body-worn accessories and other use conditions. The

procedures in the following subsections are applied separately to test each LTE frequency band.

1) QPSK with 1 RB allocation

Start with the largest channel bandwidth and measure SAR for QPSK with 1 RB allocation, using the RB offset and required test channel combination with the highest maximum output power among RB offsets at the upper edge, middle and lower edge of each required test channel. When the reported SAR is ≤ 0.8 W/kg, testing of the remaining RB offset configurations and required test channels is not required for 1 RB allocation; otherwise, SAR is required for the remaining required test channels and only for the RB offset configuration with the highest output power for that channel. When the reported SAR of a required test channel is > 1.45 W/kg, SAR is required for all three RB offset configurations for that required test channel.

2) QPSK with 50% RB allocation

The procedures required for 1 RB allocation in 1) are applied to measure the SAR for QPSK with 50% RB allocation.

3) QPSK with 100% RB allocation

For QPSK with 100% RB allocation, SAR is not required when the highest maximum output power for 100 % RB allocation is less than the highest maximum output power in 50% and 1 RB allocations and the highest reported SAR for 1 RB and 50% RB allocation in 1) and 2) are ≤ 0.8 W/kg. Otherwise, SAR is measured for the highest output power channel; and if the reported SAR is > 1.45 W/kg, the remaining required test channels must also be tested.

9.6 Power Drift

To control the output power stability during the SAR test, DASY5 system calculates the power drift by measuring the E-field at the same location at the beginning and at the end of the measurement for each test position. These drift values can be found in Section 14 labeled as: (Power Drift [dB]). This ensures that the power drift during one measurement is within 5%.

10 Area Scan Based 1-g SAR

10.1 Requirement of KDB

According to the KDB447498 D01, when the implementation is based the specific polynomial fit algorithm as presented at the 29th Bioelectromagnetics Society meeting (2007) and the estimated 1-gSAR is ≤ 1.2 W/kg, a zoom scan measurement is not required provided it is also not needed for any other purpose; for example, if the peak SAR location required for simultaneous transmission SAR test exclusion can be determined accurately by the SAR system or manually to discriminate between distinctive peaks and scattered noisy SAR distributions from area scans.

There must not be any warning or alert messages due to various measurement concerns identified by the SAR system; for example, noise in measurements, peaks too close to scan boundary, peaks are too sharp, spatial resolution and uncertainty issues etc. The SAR system verification must also demonstrate that the area scan estimated 1-g SAR is within 3% of the zoom scan 1-g SAR (See Annex B). When all the SAR results for each exposure condition in a frequency band and wireless mode are based on estimated 1-g SAR, the 1-g SAR for the highest SAR configuration must be determined by a zoom scan.

10.2 Fast SAR Algorithms

The approach is based on the area scan measurement applying a frequency dependent attenuation parameter. This attenuation parameter was empirically determined by analyzing a large number of phones. The MOTOROLA FAST SAR was developed and validated by the MOTOROLA Research Group in Ft. Lauderdale.

In the initial study, an approximation algorithm based on Linear fit was developed. The accuracy of the algorithm has been demonstrated across a broad frequency range (136-2450 MHz) and for both 1- and 10-g averaged SAR using a sample of 264 SAR measurements from 55 wireless handsets. For the sample size studied, the root-mean-squared errors of the algorithm are 1.2% and 5.8% for 1- and 10-g averaged SAR, respectively. The paper describing the algorithm in detail is expected to be published in August 2004 within the Special Issue of Transactions on MTT.

In the second step, the same research group optimized the fitting algorithm to an Polynomial fit whereby the frequency validity was extended to cover the range 30-6000MHz. Details of this study can be found in the BEMS 2007 Proceedings.

Both algorithms are implemented in DASY software.

11 Conducted Output Power

11.1 Manufacturing tolerance

Table 11.1: GSM Speech

| GSM 850 | | | |
|----------------------|-------------|-------------|-------------|
| Channel | Channel 251 | Channel 190 | Channel 128 |
| Target (dBm) | 32.5 | 32.5 | 32.5 |
| Tolerance \pm (dB) | 1 | 1 | 1 |
| GSM 1900 | | | |
| Channel | Channel 810 | Channel 661 | Channel 512 |
| Target (dBm) | 30 | 30 | 30 |
| Tolerance \pm (dB) | 1 | 1 | 1 |

Table 11.2: GPRS & EGPRS

| GSM 850 GPRS/EGPRS | | | | |
|---------------------|----------------------|------------|------------|------------|
| Channel | | 251 | 190 | 128 |
| 1Txslot | Target (dBm) | 32 | 32 | 32 |
| | Tolerance \pm (dB) | 1 | 1 | 1 |
| 2Txslots | Target (dBm) | 32 | 32 | 32 |
| | Tolerance \pm (dB) | 1 | 1 | 1 |
| 3Txslots | Target (dBm) | 30 | 30 | 30 |
| | Tolerance \pm (dB) | 1 | 1 | 1 |
| 4Txslots | Target (dBm) | 29 | 29 | 29 |
| | Tolerance \pm (dB) | 1 | 1 | 1 |
| GSM 1900 GPRS/EGPRS | | | | |
| Channel | | 810 | 661 | 512 |
| 1Txslot | Target (dBm) | 30 | 30 | 30 |
| | Tolerance \pm (dB) | 1 | 1 | 1 |
| 2Txslots | Target (dBm) | 29 | 29 | 29 |
| | Tolerance \pm (dB) | 1 | 1 | 1 |
| 3Txslots | Target (dBm) | 27 | 27 | 27 |
| | Tolerance \pm (dB) | 1 | 1 | 1 |
| 4Txslots | Target (dBm) | 26 | 26 | 26 |
| | Tolerance \pm (dB) | 1 | 1 | 1 |

Table 11.3: WCDMA

| UMTS Band V | | Conducted Power (dBm) | | |
|--------------------|----------------------|-----------------------|--------------|--------------|
| | | Channel 4233 | Channel 4182 | Channel 4132 |
| CS | Target (dBm) | 22 | 22 | 22 |
| | Tolerance \pm (dB) | 1 | 1 | 1 |
| HSUPA sub-test 1-5 | Target (dBm) | 19.5 | 19.5 | 19.5 |
| | Tolerance \pm (dB) | 1 | 1 | 1 |
| HSDPA sub-test 1-4 | Target (dBm) | 20.5 | 20.5 | 20.5 |
| | Tolerance \pm (dB) | 1 | 1 | 1 |
| UMTS Band II | | Conducted Power(dBm) | | |
| | | Channel 9538 | Channel 9400 | Channel 9262 |
| CS | Target (dBm) | 22 | 22 | 22 |
| | Tolerance \pm (dB) | 1 | 1 | 1 |
| HSUPA sub-test 1-5 | Target (dBm) | 19 | 19 | 19 |
| | Tolerance \pm (dB) | 1 | 1 | 1 |
| HSDPA sub-test 1-4 | Target (dBm) | 20.5 | 20.5 | 20.5 |
| | Tolerance \pm (dB) | 1 | 1 | 1 |

Table 11.4: LTE

| LTE Band 7 QPSK | | | |
|----------------------|---------------|---------------|---------------|
| Channel | Channel 21350 | Channel 21100 | Channel 20850 |
| Target (dBm) | 21 | 21 | 21 |
| Tolerance \pm (dB) | 1 | 1 | 1 |
| LTE Band 7 16QAM | | | |
| Channel | Channel 21350 | Channel 21100 | Channel 20850 |
| Target (dBm) | 20.3 | 20.3 | 20.3 |
| Tolerance \pm (dB) | 1 | 1 | 1 |

Table 11.5: Bluetooth

| Mode | | 2402MHz (Ch0) | 2441MHz (Ch39) | 2480MHz (Ch78) |
|---------------|----------------------|------------------|-------------------|-------------------|
| GFSK | Target (dBm) | 6.5 | 6.5 | 6.5 |
| | Tolerance \pm (dB) | 1 | 1 | 1 |
| EDR2M-4_DQPSK | Target (dBm) | 5.5 | 5.5 | 5.5 |
| | Tolerance \pm (dB) | 1 | 1 | 1 |
| EDR3M-8DPSK | Target (dBm) | 5.5 | 5.5 | 5.5 |
| | Tolerance \pm (dB) | 1 | 1 | 1 |
| GFSK(BLE) | Target (dBm) | -1.5 | -1.5 | -1.5 |
| | Tolerance \pm (dB) | 1 | 1 | 1 |

Table 11.6: Wi-Fi

| Mode | Channel/Data rate | Target (dBm) | Tolerance \pm (dB) |
|------------------------|-------------------|--------------|----------------------|
| 802.11 b (2.4GHz) | 1Mbps~11Mbps | 15 | 1 |
| 802.11 g (2.4GHz) | 6Mbps~54Mbps | 13.5 | 1 |
| 802.11 n (2.4GHz HT20) | MCS0~MCS7 | 13 | 1 |
| 802.11 n (2.4GHz HT40) | MCS0~MCS7 | 14 | 1 |
| 802.11 a (5GHz) | 6Mbps~54Mbps | 10.5 | 1 |
| 802.11 n (5GHz HT20) | MCS0~MCS7 | 10.5 | 1 |
| 802.11 n (5GHz HT40) | MCS0~MCS7 | 10.5 | 1 |

11.2 GSM Measurement result

During the process of testing, the EUT was controlled via Agilent Digital Radio Communication tester (E5515C) to ensure the maximum power transmission and proper modulation. This result contains conducted output power for the EUT. In all cases, the measured peak output power should be greater and within 5% than EMI measurement.

Table 11.7: The conducted power measurement results for GSM850/1900

| GSM 850MHz | Conducted Power (dBm) | | |
|----------------|------------------------|-----------------------|------------------------|
| | Channel 251(848.8MHz) | Channel 190(836.6MHz) | Channel 128(824.2MHz) |
| | 32.78 | 32.90 | 32.85 |
| GSM 1900MHz | Conducted Power(dBm) | | |
| | Channel 810(1909.8MHz) | Channel 661(1880MHz) | Channel 512(1850.2MHz) |
| | 29.97 | 30.05 | 30.27 |

Table 11.8: The conducted power measurement results for GPRS and EGPRS

| GSM 850 | | Measured Power (dBm) | | | calculation | Average Power (dBm) | | |
|-----------------|----------|----------------------|-------|-------|-------------|---------------------|--------------|--------------|
| | | 251 | 190 | 128 | | 251 | 190 | 128 |
| GPRS | 1Txslots | 32.82 | 32.95 | 32.90 | -9.03dB | 23.79 | 23.92 | 23.87 |
| | 2Txslots | 32.23 | 32.38 | 32.32 | -6.02dB | 26.21 | 26.36 | 26.3 |
| | 3Txslots | 30.55 | 30.74 | 30.71 | -4.26dB | 26.29 | 26.48 | 26.45 |
| | 4Txslots | 29.44 | 29.66 | 29.63 | -3.01dB | 26.43 | 26.65 | 26.62 |
| EGPRS (GMSK) | 1Txslots | 32.77 | 32.91 | 32.86 | -9.03dB | 23.74 | 23.88 | 23.83 |
| | 2Txslots | 32.21 | 32.35 | 32.27 | -6.02dB | 26.19 | 26.33 | 26.25 |
| | 3Txslots | 30.51 | 30.70 | 30.66 | -4.26dB | 26.25 | 26.44 | 26.4 |
| | 4Txslots | 29.42 | 29.62 | 29.59 | -3.01dB | 26.41 | 26.61 | 26.58 |
| GSM 1900 | | Measured Power (dBm) | | | calculation | Average Power (dBm) | | |
| | | 810 | 661 | 512 | | 810 | 661 | 512 |
| GPRS | 1Txslots | 29.98 | 30.05 | 30.26 | -9.03dB | 20.95 | 21.02 | 21.23 |
| | 2Txslots | 29.22 | 29.32 | 29.54 | -6.02dB | 23.2 | 23.3 | 23.52 |
| | 3Txslots | 27.50 | 27.54 | 27.81 | -4.26dB | 23.24 | 23.28 | 23.55 |
| | 4Txslots | 26.40 | 26.50 | 26.74 | -3.01dB | 23.39 | 23.49 | 23.73 |
| EGPRS (GMSK) | 1Txslots | 29.92 | 30.01 | 30.22 | -9.03dB | 20.89 | 20.98 | 21.19 |
| | 2Txslots | 29.16 | 29.27 | 29.51 | -6.02dB | 23.14 | 23.25 | 23.49 |
| | 3Txslots | 27.44 | 27.51 | 27.76 | -4.26dB | 23.18 | 23.25 | 23.5 |
| | 4Txslots | 26.37 | 26.46 | 26.70 | -3.01dB | 23.36 | 23.45 | 23.69 |

NOTES:

1) Division Factors

To average the power, the division factor is as follows:

1TX-slot = 1 transmit time slot out of 8 time slots=> conducted power divided by (8/1) => -9.03dB

2TX-slots = 2 transmit time slots out of 8 time slots=> conducted power divided by (8/2) => -6.02dB

3TX-slots = 3 transmit time slots out of 8 time slots=> conducted power divided by (8/3) => -4.26dB

4TX-slots = 4 transmit time slots out of 8 time slots=> conducted power divided by (8/4) => -3.01dB

According to the conducted power as above, the body measurements are performed with 4Txslots for GSM 850 and GSM 1900.

11.3 WCDMA Measurement result

Table 11.9: The conducted Power for WCDMA850/1700/1900

| Item | band | FDD Band 5 result | | |
|-------|-------|-------------------|----------------|------------------|
| | ARFCN | 4233 (846.6MHz) | 4182(836.4MHz) | 4132 (826.4MHz) |
| WCDMA | \ | 22.00 | 22.10 | 22.10 |
| HSDPA | 1 | 20.80 | 21.20 | 21.30 |
| | 2 | 20.80 | 21.10 | 21.10 |
| | 3 | 20.40 | 20.60 | 20.60 |
| | 4 | 20.30 | 20.60 | 20.60 |
| HSUPA | 1 | 19.00 | 19.20 | 19.30 |
| | 2 | 18.90 | 19.10 | 19.10 |
| | 3 | 18.80 | 19.10 | 19.10 |
| | 4 | 18.40 | 18.60 | 18.60 |
| | 5 | 19.90 | 20.10 | 20.00 |
| Item | band | FDD Band 2 result | | |
| | ARFCN | 9538 (1907.6MHz) | 9400 (1880MHz) | 9262 (1852.4MHz) |
| WCDMA | \ | 21.80 | 21.80 | 22.10 |
| HSDPA | 1 | 20.80 | 20.70 | 21.00 |
| | 2 | 20.70 | 20.60 | 20.80 |
| | 3 | 20.10 | 20.10 | 20.40 |
| | 4 | 20.00 | 20.10 | 20.30 |
| HSUPA | 1 | 18.70 | 18.90 | 19.00 |
| | 2 | 18.70 | 18.70 | 18.80 |
| | 3 | 18.60 | 18.60 | 18.90 |
| | 4 | 18.20 | 18.20 | 18.30 |
| | 5 | 19.70 | 19.60 | 19.80 |

11.4 LTE-FDD Measurement result

Table 11.10: The conducted Power for LTE-FDD

| LTE-FDD Band 7 | | | | Actual output Power (dBm) | | |
|----------------|---------------|-----------|------------|---------------------------|---------|-----------|
| | RB allocation | RB offset | Modulation | High | Middle | Low |
| | | | | 2567.4MHz | 2535MHz | 2502.5MHz |
| 5 MHz | 1RB | High | QPSK | 21.71 | 21.61 | 21.43 |
| | | | 16QAM | 21.00 | 20.85 | 20.61 |
| | | Middle | QPSK | 21.76 | 21.66 | 21.48 |
| | | | 16QAM | 21.02 | 20.88 | 20.65 |
| | | Low | QPSK | 21.69 | 21.58 | 21.43 |
| | | | 16QAM | 20.97 | 20.80 | 20.59 |
| | 50%RB | High | QPSK | 20.76 | 20.65 | 20.47 |
| | | | 16QAM | 19.77 | 19.61 | 19.42 |
| | | Middle | QPSK | 20.79 | 20.65 | 20.47 |
| | | | 16QAM | 19.80 | 19.61 | 19.42 |
| | | Low | QPSK | 20.79 | 20.61 | 20.40 |
| | | | 16QAM | 19.78 | 19.56 | 19.36 |
| | 100%RB | / | QPSK | 20.77 | 20.64 | 20.45 |
| | | | 16QAM | 19.76 | 19.57 | 19.39 |
| 10 MHz | RB allocation | RB offset | Modulation | High | Middle | Low |
| | | | | 2565MHz | 2535MHz | 2505MHz |
| | 1RB | High | QPSK | 21.80 | 21.70 | 21.53 |
| | | | 16QAM | 21.09 | 20.95 | 20.72 |
| | | Middle | QPSK | 21.70 | 21.62 | 21.43 |
| | | | 16QAM | 20.98 | 20.86 | 20.64 |
| | | Low | QPSK | 21.66 | 21.55 | 21.42 |
| | | | 16QAM | 20.89 | 20.80 | 20.61 |
| | 50%RB | High | QPSK | 20.69 | 20.66 | 20.52 |
| | | | 16QAM | 19.68 | 19.61 | 19.46 |
| | | Middle | QPSK | 20.75 | 20.64 | 20.48 |
| | | | 16QAM | 19.74 | 19.60 | 19.43 |
| | | Low | QPSK | 20.80 | 20.60 | 20.45 |
| | | | 16QAM | 19.77 | 19.56 | 19.38 |
| 100%RB | / | QPSK | 20.77 | 20.64 | 20.49 | |
| | | 16QAM | 19.74 | 19.59 | 19.43 | |

| LTE-FDD Band 7 | | | | Actual output Power (dBm) | | |
|----------------|---------------|-----------|------------|---------------------------|---------|-----------|
| | RB allocation | RB offset | Modulation | High | Middle | Low |
| | | | | 2562.5MHz | 2535MHz | 2507.5MHz |
| 15 MHz | 1RB | High | QPSK | 21.65 | 21.59 | 21.45 |
| | | | 16QAM | 20.90 | 20.83 | 20.63 |
| | | Middle | QPSK | 21.66 | 21.60 | 21.48 |
| | | | 16QAM | 20.91 | 20.83 | 20.66 |
| | | Low | QPSK | 21.72 | 21.64 | 21.53 |
| | | | 16QAM | 20.96 | 20.88 | 20.71 |
| | 50%RB | High | QPSK | 21.71 | 21.64 | 21.51 |
| | | | 16QAM | 20.70 | 20.61 | 20.45 |
| | | Middle | QPSK | 21.73 | 21.64 | 21.52 |
| | | | 16QAM | 20.71 | 20.61 | 20.48 |
| | Low | QPSK | 21.75 | 21.65 | 21.55 | |
| | | 16QAM | 20.73 | 20.62 | 20.48 | |
| | 100%RB | / | QPSK | 20.75 | 20.67 | 20.54 |
| | | | 16QAM | 19.73 | 19.61 | 19.47 |
| 20MHz | RB allocation | RB offset | Modulation | High | Middle | Low |
| | | | | 2560MHz | 2535MHz | 2510MHz |
| | 1RB | High | QPSK | 21.86 | 21.80 | 21.70 |
| | | | 16QAM | 21.16 | 21.05 | 20.91 |
| | | Middle | QPSK | 21.66 | 21.61 | 21.48 |
| | | | 16QAM | 20.90 | 20.85 | 20.68 |
| | | Low | QPSK | 21.77 | 21.71 | 21.61 |
| | | | 16QAM | 21.02 | 20.92 | 20.80 |
| | 50%RB | High | QPSK | 20.62 | 20.70 | 20.62 |
| | | | 16QAM | 19.60 | 19.66 | 19.58 |
| | | Middle | QPSK | 20.71 | 20.66 | 20.56 |
| | | | 16QAM | 19.70 | 19.63 | 19.51 |
| | | Low | QPSK | 20.82 | 20.70 | 20.56 |
| | | | 16QAM | 19.79 | 19.66 | 19.50 |
| 100%RB | / | QPSK | 20.72 | 20.69 | 20.57 | |
| | | 16QAM | 19.69 | 19.64 | 19.52 | |

11.5 Wi-Fi and BT Measurement result

The output power of BT antenna is as following:

| Mode | Conducted Power (dBm) | | |
|---------------|-----------------------|----------------------|----------------------|
| | Channel 0 (2402MHz) | Channel 39 (2441MHz) | Channel 78 (2480MHz) |
| GFSK | 6.46 | 6.71 | 6.00 |
| EDR2M-4_DQPSK | 5.85 | 6.14 | 5.26 |
| EDR3M-8DPSK | 5.96 | 6.24 | 5.35 |
| BLE | -0.41 | 0.17 | -1.58 |

The average conducted power for Wi-Fi is as following:

802.11b (dBm)

| Channel\data rate | 1Mbps | 2Mbps | 5.5Mbps | 11Mbps |
|-------------------|-------|-------|---------|--------------|
| 1(2412MHz) | 15.23 | 15.21 | 15.28 | 15.32 |
| 6(2437MHz) | 14.33 | 14.39 | 14.46 | 14.43 |
| 11(2462MHz) | 14.41 | 14.44 | 14.53 | 14.49 |

802.11g (dBm)

| Channel\data rate | 6Mbps | 9Mbps | 12Mbps | 18Mbps | 24Mbps | 36Mbps | 48Mbps | 54Mbps |
|-------------------|-------|-------|--------|--------|--------|--------|--------|--------|
| 1(2412MHz) | 13.77 | / | / | / | / | / | / | / |
| 6(2437MHz) | 14.10 | 14.11 | 14.18 | 14.12 | 14.09 | 14.03 | 14.07 | 14.09 |
| 11(2462MHz) | 13.81 | / | / | / | / | / | / | / |

802.11n - HT20 (2.4G) (dBm)

| Channel\data rate | MCS0 | MCS1 | MCS2 | MCS3 | MCS4 | MCS5 | MCS6 | MCS7 |
|-------------------|-------|-------|-------|-------|-------|-------|-------|-------|
| 1(2412MHz) | 13.52 | 13.47 | 13.40 | 13.62 | 13.51 | 13.48 | 13.50 | 13.51 |
| 6(2437MHz) | 13.06 | / | / | / | / | / | / | / |
| 11(2462MHz) | 13.29 | / | / | / | / | / | / | / |

802.11n - HT40 (2.4G) (dBm)

| Channel\data rate | MCS0 | MCS1 | MCS2 | MCS3 | MCS4 | MCS5 | MCS6 | MCS7 |
|-------------------|-------|-------|-------|-------|-------|-------|-------|-------|
| 1(2412MHz) | 13.48 | 13.63 | 13.59 | 13.60 | 13.49 | 13.67 | 13.64 | 13.72 |
| 6(2437MHz) | 12.17 | / | / | / | / | / | / | / |
| 11(2462MHz) | 12.53 | / | / | / | / | / | / | / |

The average conducted power for 5GWi-Fi is as following:

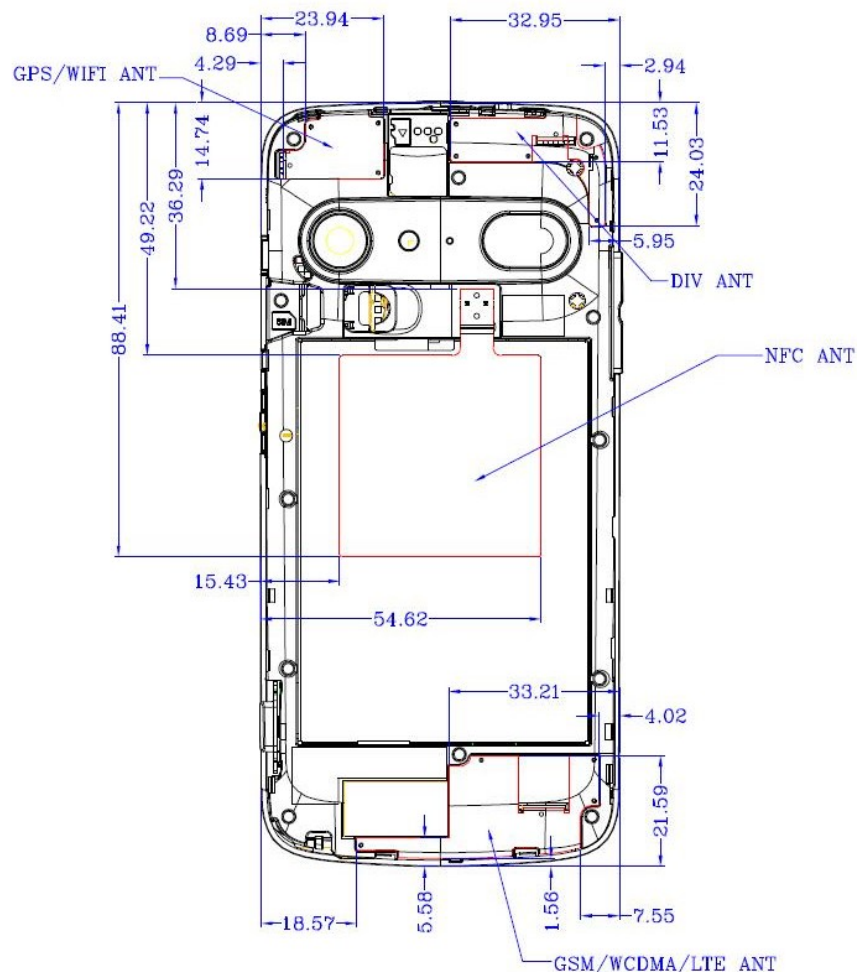
| 5G Wi-Fi | Averaged Power (dBm) | | | | |
|----------|----------------------|---------|---------------|---------------|---------------|
| | Mode | 802.11a | 802.11n-20MHz | Mode | 802.11n-40MHz |
| | Ch | 6Mbps | MCS0 | Ch | MCS0 |
| U-NII-1 | 36(5180 MHz) | 10.63 | 10.51 | 38(5190 MHz) | 10.45 |
| | 40(5200 MHz) | 10.88 | 10.80 | | |
| | 44(5220 MHz) | 10.46 | 10.97 | 46(5230 MHz) | 10.74 |
| | 48(5240 MHz) | 10.97 | 11.02 | | |
| U-NII-2A | 52(5260 MHz) | 10.30 | 10.32 | 54(5270 MHz) | 10.22 |
| | 56(5280 MHz) | 10.42 | 10.55 | | |
| | 60(5300 MHz) | 10.31 | 10.56 | 62(5310 MHz) | 10.42 |
| | 64(5320 MHz) | 10.55 | 10.59 | | |
| U-NII-3 | 5745MHz(Ch149) | 11.23 | 11.25 | 151(5755 MHz) | 10.92 |
| | 5765MHz(Ch153) | 11.20 | 11.18 | | |
| | 5785MHz(Ch157) | 11.17 | 11.15 | | |
| | 5805MHz(Ch161) | 11.14 | 11.16 | 159(5795 MHz) | 10.63 |
| | 5825MHz(Ch165) | 11.15 | 11.12 | | |

12 Simultaneous TX SAR Considerations

12.1 Introduction

The following procedures adopted from “FCC SAR Considerations for Cell Phones with Multiple Transmitters” are applicable to handsets with built-in unlicensed transmitters such as 802.11 a/b/g and Bluetooth devices which may simultaneously transmit with the licensed transmitter. For this device, the BT and Wi-Fi can transmit simultaneous with other transmitters.

12.2 Transmit Antenna Separation Distances



Picture 12.1 Antenna Locations

12.3 SAR Measurement Positions

According to the KDB941225 D06 Hot Spot SAR, the edges with less than 2.5 cm distance to the antennas need to be tested for SAR.

| SAR measurement positions | | | | | | |
|---------------------------|-------|------|-----------|------------|----------|-------------|
| Mode | Front | Rear | Left edge | Right edge | Top edge | Bottom edge |
| Main antenna | Yes | Yes | Yes | Yes | No | Yes |
| WLAN | Yes | Yes | No | Yes | Yes | No |

12.4 Standalone SAR Test Exclusion Considerations

Standalone 1-g head or body SAR evaluation by measurement or numerical simulation is not required when the corresponding SAR Exclusion Threshold condition, listed below, is satisfied. The 1-g SAR test exclusion threshold for 100 MHz to 6 GHz at test separation distances ≤ 50 mm are determined by:

$[(\text{max. power of channel, including tune-up tolerance, mW}) / (\text{min. test separation distance, mm})] \cdot [\sqrt{f(\text{GHz})}] \leq 3.0$ for 1-g SAR, where

- $f(\text{GHz})$ is the RF channel transmit frequency in GHz
- Power and distance are rounded to the nearest mW and mm before calculation
- The result is rounded to one decimal place for comparison

Table 12.1: Standalone SAR test exclusion considerations

| Band/Mode | f(GHz) | Position | SAR test exclusion threshold (mW) | RF output power | | SAR test exclusion |
|----------------------|--------|----------|-----------------------------------|-----------------|-------|--------------------|
| | | | | dBm | mW | |
| Bluetooth | 2.441 | Head | 9.60 | 7.5 | 5.62 | Yes |
| | | Body | 19.20 | 7.5 | 5.62 | Yes |
| 2.4GHz WLAN 802.11 b | 2.45 | Head | 9.58 | 16 | 39.81 | No |
| | | Body | 19.17 | 16 | 39.81 | No |
| WLAN 5GHz | 5.2 | Head | 6.58 | 11.5 | 14.13 | No |
| | | Body | 13.16 | 11.5 | 14.13 | No |
| | 5.3 | Head | 6.52 | 11.5 | 14.13 | No |
| | | Body | 13.03 | 11.5 | 14.13 | No |
| | 5.8 | Head | 6.23 | 11.5 | 14.13 | No |
| | | Body | 12.46 | 11.5 | 14.13 | No |

13 Evaluation of Simultaneous

Table 13.1: The sum of reported SAR values for main antenna and WiFi

| | Position | Main antenna | WiFi | Sum |
|-------------------------------------|-------------|--------------|------|-------------|
| Highest reported SAR value for Head | Left Touch | 0.89 | 0.56 | 1.45 |
| | Right Touch | 0.43 | 0.24 | 0.67 |
| Highest reported SAR value for Body | Rear | 0.97 | 0.27 | 1.24 |
| | Bottom | 1.22 | / | 1.22 |

Table 13.2: The sum of reported SAR values for main antenna and Bluetooth

| | Position | Main antenna | BT* | Sum |
|-------------------------------------|-------------|--------------|------|-------------|
| Highest reported SAR value for Head | Left Touch | 0.89 | 0.23 | 1.12 |
| | Right Touch | 0.43 | 0.23 | 0.66 |
| Highest reported SAR value for Body | Rear | 0.97 | 0.13 | 1.10 |
| | Bottom | 1.22 | / | 1.22 |

BT* - Estimated SAR for Bluetooth (see the table 13.3)

Table 13.3: Estimated SAR for Bluetooth

| Position | f (GHz) | Distance (mm) | Upper limit of power * | | Estimated _{1g} (W/kg) |
|----------|---------|---------------|------------------------|------|--------------------------------|
| | | | dBm | mW | |
| Head | 2.441 | 5 | 7.5 | 5.62 | 0.23 |
| Body | 2.441 | 10 | 7.5 | 5.62 | 0.13 |

* - Maximum possible output power declared by manufacturer

When standalone SAR test exclusion applies to an antenna that transmits simultaneously with other antennas, the standalone SAR must be estimated according to following to determine simultaneous transmission SAR test exclusion:

(Max. power of channel, including tune-up tolerance, mW)/(min. test separation distance, mm)]·[√f(GHz)/x] W/kg for test separation distances ≤ 50 mm;

Where x = 7.5 for 1-g SAR.

When the minimum test separation distance is < 5 mm, a distance of 5 mm is applied to determine SAR test exclusion

Conclusion:

According to the above tables, the sum of reported SAR values is < 1.6W/kg. So the simultaneous transmission SAR with volume scans is not required.

14 SAR Test Result

It is determined by user manual for the distance between the EUT and the phantom bottom.

The distance is 10mm and just applied to the condition of body worn accessory.

It is performed for all SAR measurements with area scan based 1-g SAR estimation (Fast SAR). A zoom scan measurement is added when the estimated 1-g SAR is the highest measured SAR in each exposure configuration, wireless mode and frequency band combination or >1.2W/kg.

The calculated SAR is obtained by the following formula:

$$\text{Reported SAR} = \text{Measured SAR} \times 10^{(P_{\text{Target}} - P_{\text{Measured}})/10}$$

Where P_{Target} is the power of manufacturing upper limit;

P_{Measured} is the measured power in chapter 11.

Table 14.1: Duty Cycle

| Mode | Duty Cycle |
|----------------------------|-------------------|
| Speech for GSM850/1900 | 1:8.3 |
| GPRS&EGPRS for GSM850/1900 | 1:2 |
| WCDMA850/1900 | 1:1 |
| FDD_LTE Band 7 | 1:1 |

14.1 SAR results for Fast SAR

Table 14.2: SAR Values (GSM 850 MHz - Head)

| Frequency | | Side | Test Position | Figure No. | Conducted Power (dBm) | Max. tune-up Power (dBm) | Measured SAR(10g) (W/kg) | Reported SAR(10g) (W/kg) | Measured SAR(1g) (W/kg) | Reported SAR(1g)(W/kg) | Power Drift (dB) |
|-----------|-----|-------|---------------|------------|-----------------------|--------------------------|--------------------------|--------------------------|-------------------------|------------------------|------------------|
| MHz | Ch. | | | | | | | | | | |
| 836.6 | 190 | Left | Touch | / | 32.90 | 33.5 | 0.217 | 0.25 | 0.318 | 0.37 | -0.04 |
| 836.6 | 190 | Left | Tilt | / | 32.90 | 33.5 | 0.123 | 0.14 | 0.178 | 0.20 | 0.05 |
| 836.6 | 190 | Right | Touch | / | 32.90 | 33.5 | 0.230 | 0.26 | 0.336 | 0.39 | 0.08 |
| 836.6 | 190 | Right | Tilt | / | 32.90 | 33.5 | 0.093 | 0.11 | 0.133 | 0.15 | -0.07 |
| 848.8 | 251 | Right | Touch | Fig.1 | 32.78 | 33.5 | 0.282 | 0.33 | 0.366 | 0.43 | 0.05 |
| 824.2 | 128 | Right | Touch | / | 32.85 | 33.5 | 0.180 | 0.21 | 0.261 | 0.30 | 0.10 |

Table 14.3: SAR Values (GSM 850 MHz -Body) -AP ON

| Frequency | | Test Position | Figure No. | Conducted Power (dBm) | Max. tune-up Power (dBm) | Measured SAR(10g) (W/kg) | Reported SAR(10g) (W/kg) | Measured SAR(1g) (W/kg) | Reported SAR(1g)(W/kg) | Power Drift (dB) |
|-----------|-----|---------------|------------|-----------------------|--------------------------|--------------------------|--------------------------|-------------------------|------------------------|------------------|
| MHz | Ch. | | | | | | | | | |
| 836.6 | 190 | Front | / | 29.66 | 30 | 0.348 | 0.38 | 0.520 | 0.56 | -0.06 |
| 836.6 | 190 | Rear | / | 29.66 | 30 | 0.553 | 0.60 | 0.790 | 0.85 | -0.08 |
| 836.6 | 190 | Left | / | 29.66 | 30 | 0.452 | 0.49 | 0.691 | 0.75 | -0.07 |
| 836.6 | 190 | Right | / | 29.66 | 30 | 0.436 | 0.47 | 0.652 | 0.71 | -0.12 |
| 836.6 | 190 | Bottom | / | 29.66 | 30 | 0.130 | 0.14 | 0.200 | 0.22 | 0.08 |
| 848.8 | 251 | Rear | Fig.2 | 29.44 | 30 | 0.595 | 0.68 | 0.852 | 0.97 | 0.05 |
| 824.2 | 128 | Rear | / | 29.63 | 30 | 0.523 | 0.57 | 0.756 | 0.82 | 0.07 |
| 848.8 | 251 | Rear EGPRS | / | 29.42 | 30 | 0.579 | 0.66 | 0.827 | 0.95 | -0.04 |

Note1: The distance between the EUT and the phantom bottom is 10mm.

Table 14.4: SAR Values (GSM 850 MHz -Body) -AP OFF

| Frequency | | Test Position | Figure No. | Conducted Power (dBm) | Max. tune-up Power (dBm) | Measured SAR(10g) (W/kg) | Reported SAR(10g) (W/kg) | Measured SAR(1g) (W/kg) | Reported SAR(1g)(W/kg) | Power Drift (dB) |
|-----------|-----|---------------|------------|-----------------------|--------------------------|--------------------------|--------------------------|-------------------------|------------------------|------------------|
| MHz | Ch. | | | | | | | | | |
| 836.6 | 190 | Front | / | 29.66 | 30 | 0.348 | 0.38 | 0.520 | 0.56 | -0.06 |
| 836.6 | 190 | Rear | / | 29.66 | 30 | 0.553 | 0.60 | 0.790 | 0.85 | -0.08 |
| 848.8 | 251 | Rear | / | 29.44 | 30 | 0.595 | 0.68 | 0.852 | 0.97 | 0.05 |
| 824.2 | 128 | Rear | / | 29.63 | 30 | 0.523 | 0.57 | 0.756 | 0.82 | 0.07 |
| 848.8 | 251 | Rear EGPRS | / | 29.42 | 30 | 0.579 | 0.66 | 0.827 | 0.95 | -0.04 |

Note1: The distance between the EUT and the phantom bottom is 10mm.

Table 14.5: SAR Values (GSM 1900 MHz - Head)

| Frequency | | Side | Test Position | Figure No. | Conducted Power (dBm) | Max. tune-up Power (dBm) | Measured SAR(10g) (W/kg) | Reported SAR(10g) (W/kg) | Measured SAR(1g) (W/kg) | Reported SAR(1g)(W/kg) | Power Drift (dB) |
|-----------|-----|-------|---------------|------------|-----------------------|--------------------------|--------------------------|--------------------------|-------------------------|------------------------|------------------|
| MHz | Ch. | | | | | | | | | | |
| 1880 | 661 | Left | Touch | / | 30.05 | 31 | 0.225 | 0.28 | 0.400 | 0.50 | -0.03 |
| 1880 | 661 | Left | Tilt | / | 30.05 | 31 | 0.050 | 0.06 | 0.087 | 0.11 | -0.05 |
| 1880 | 661 | Right | Touch | / | 30.05 | 31 | 0.104 | 0.13 | 0.178 | 0.22 | 0.05 |
| 1880 | 661 | Right | Tilt | / | 30.05 | 31 | 0.070 | 0.09 | 0.122 | 0.15 | 0.01 |
| 1909.8 | 810 | Left | Touch | Fig.3 | 29.97 | 31 | 0.252 | 0.32 | 0.412 | 0.52 | 0.04 |
| 1850.2 | 512 | Left | Touch | / | 30.27 | 31 | 0.249 | 0.29 | 0.411 | 0.49 | 0.11 |

Table 14.6: SAR Values (GSM 1900 MHz -Body) -AP ON

| Frequency | | Test Position | Figure No. | Conducted Power (dBm) | Max. tune-up Power (dBm) | Measured SAR(10g) (W/kg) | Reported SAR(10g) (W/kg) | Measured SAR(1g) (W/kg) | Reported SAR(1g)(W/kg) | Power Drift (dB) |
|-----------|-----|---------------|------------|-----------------------|--------------------------|--------------------------|--------------------------|-------------------------|------------------------|------------------|
| MHz | Ch. | | | | | | | | | |
| 1880 | 661 | Front | / | 26.50 | 27 | 0.391 | 0.44 | 0.666 | 0.75 | 0.01 |
| 1880 | 661 | Rear | / | 26.50 | 27 | 0.460 | 0.52 | 0.751 | 0.84 | 0.05 |
| 1880 | 661 | Left | / | 26.50 | 27 | 0.205 | 0.23 | 0.358 | 0.40 | 0.07 |
| 1880 | 661 | Right | / | 26.50 | 27 | 0.108 | 0.12 | 0.184 | 0.21 | 0.08 |
| 1880 | 661 | Bottom | / | 26.50 | 27 | 0.349 | 0.39 | 0.654 | 0.73 | 0.03 |
| 1909.8 | 810 | Rear | / | 26.40 | 27 | 0.441 | 0.51 | 0.720 | 0.83 | 0.10 |
| 1850.2 | 512 | Rear | Fig.4 | 26.74 | 27 | 0.503 | 0.53 | 0.815 | 0.87 | 0.09 |
| 1850.2 | 512 | Rear EGPRS | / | 26.70 | 27 | 0.488 | 0.52 | 0.796 | 0.85 | -0.02 |

Note1: The distance between the EUT and the phantom bottom is 10mm.

Table 14.7: SAR Values (GSM 1900 MHz -Body) -AP OFF

| Frequency | | Test Position | Figure No. | Conducted Power (dBm) | Max. tune-up Power (dBm) | Measured SAR(10g) (W/kg) | Reported SAR(10g) (W/kg) | Measured SAR(1g) (W/kg) | Reported SAR(1g)(W/kg) | Power Drift (dB) |
|-----------|-----|---------------|------------|-----------------------|--------------------------|--------------------------|--------------------------|-------------------------|------------------------|------------------|
| MHz | Ch. | | | | | | | | | |
| 1880 | 661 | Front | / | 26.50 | 27 | 0.391 | 0.44 | 0.666 | 0.75 | 0.01 |
| 1880 | 661 | Rear | / | 26.50 | 27 | 0.460 | 0.52 | 0.751 | 0.84 | 0.05 |
| 1909.8 | 810 | Rear | / | 26.40 | 27 | 0.441 | 0.51 | 0.720 | 0.83 | 0.10 |
| 1850.2 | 512 | Rear | / | 26.74 | 27 | 0.503 | 0.53 | 0.815 | 0.87 | 0.09 |
| 1850.2 | 512 | Rear EGPRS | / | 26.70 | 27 | 0.488 | 0.52 | 0.796 | 0.85 | -0.02 |

Note1: The distance between the EUT and the phantom bottom is 10mm.

Table 14.8: SAR Values (WCDMA 850 MHz - Head)

| Frequency | | Side | Test Position | Figure No. | Conducted Power (dBm) | Max. tune-up Power (dBm) | Measured SAR(10g) (W/kg) | Reported SAR(10g) (W/kg) | Measured SAR(1g) (W/kg) | Reported SAR(1g)(W/kg) | Power Drift (dB) |
|-----------|------|-------|---------------|------------|-----------------------|--------------------------|--------------------------|--------------------------|-------------------------|------------------------|------------------|
| MHz | Ch. | | | | | | | | | | |
| 836.4 | 4182 | Left | Touch | / | 22.1 | 23 | 0.174 | 0.21 | 0.235 | 0.29 | -0.08 |
| 836.4 | 4182 | Left | Tilt | / | 22.1 | 23 | 0.094 | 0.12 | 0.136 | 0.17 | -0.01 |
| 836.4 | 4182 | Right | Touch | Fig.5 | 22.1 | 23 | 0.184 | 0.23 | 0.241 | 0.30 | 0.06 |
| 836.4 | 4182 | Right | Tilt | / | 22.1 | 23 | 0.038 | 0.05 | 0.055 | 0.07 | 0.04 |
| 846.6 | 4233 | Right | Touch | / | 22.0 | 23 | 0.187 | 0.24 | 0.228 | 0.29 | 0.10 |
| 826.4 | 4132 | Right | Touch | / | 22.1 | 23 | 0.141 | 0.17 | 0.205 | 0.25 | -0.09 |

Table 14.9: SAR Values (WCDMA 850 MHz -Body) -AP ON

| Frequency | | Test Position | Figure No. | Conducted Power (dBm) | Max. tune-up Power (dBm) | Measured SAR(10g) (W/kg) | Reported SAR(10g) (W/kg) | Measured SAR(1g) (W/kg) | Reported SAR(1g)(W/kg) | Power Drift (dB) |
|-----------|------|---------------|------------|-----------------------|--------------------------|--------------------------|--------------------------|-------------------------|------------------------|------------------|
| MHz | Ch. | | | | | | | | | |
| 836.4 | 4182 | Front | / | 22.1 | 23 | 0.202 | 0.25 | 0.293 | 0.36 | 0.05 |
| 836.4 | 4182 | Rear | Fig.6 | 22.1 | 23 | 0.238 | 0.29 | 0.325 | 0.40 | -0.02 |
| 836.4 | 4182 | Left | / | 22.1 | 23 | 0.033 | 0.04 | 0.049 | 0.06 | 0.04 |
| 836.4 | 4182 | Right | / | 22.1 | 23 | 0.035 | 0.04 | 0.051 | 0.06 | 0.16 |
| 836.4 | 4182 | Bottom | / | 22.1 | 23 | 0.051 | 0.06 | 0.082 | 0.10 | -0.08 |
| 846.6 | 4233 | Rear | / | 22.0 | 23 | 0.224 | 0.28 | 0.320 | 0.40 | 0.04 |
| 826.4 | 4132 | Rear | / | 22.1 | 23 | 0.214 | 0.26 | 0.307 | 0.38 | 0.07 |

Note1: The distance between the EUT and the phantom bottom is 10mm.

Table 14.10: SAR Values (WCDMA 850 MHz -Body) -AP OFF

| Frequency | | Test Position | Figure No. | Conducted Power (dBm) | Max. tune-up Power (dBm) | Measured SAR(10g) (W/kg) | Reported SAR(10g) (W/kg) | Measured SAR(1g) (W/kg) | Reported SAR(1g)(W/kg) | Power Drift (dB) |
|-----------|------|---------------|------------|-----------------------|--------------------------|--------------------------|--------------------------|-------------------------|------------------------|------------------|
| MHz | Ch. | | | | | | | | | |
| 836.4 | 4182 | Front | / | 22.1 | 23 | 0.202 | 0.25 | 0.293 | 0.36 | 0.05 |
| 836.4 | 4182 | Rear | / | 22.1 | 23 | 0.238 | 0.29 | 0.325 | 0.40 | -0.02 |
| 846.6 | 4233 | Rear | / | 22.0 | 23 | 0.224 | 0.28 | 0.320 | 0.40 | 0.04 |
| 826.4 | 4132 | Rear | / | 22.1 | 23 | 0.214 | 0.26 | 0.307 | 0.38 | 0.07 |

Note1: The distance between the EUT and the phantom bottom is 10mm.

Table 14.11: SAR Values (WCDMA1900 MHz - Head)

| Frequency | | Side | Test Position | Figure No. | Conducted Power (dBm) | Max. tune-up Power (dBm) | Measured SAR(10g) (W/kg) | Reported SAR(10g) (W/kg) | Measured SAR(1g) (W/kg) | Reported SAR(1g)(W/kg) | Power Drift (dB) |
|-----------|------|-------|---------------|------------|-----------------------|--------------------------|--------------------------|--------------------------|-------------------------|------------------------|------------------|
| MHz | Ch. | | | | | | | | | | |
| 1880 | 9400 | Left | Touch | / | 21.8 | 23 | 0.409 | 0.54 | 0.664 | 0.88 | 0.12 |
| 1880 | 9400 | Left | Tilt | / | 21.8 | 23 | 0.104 | 0.14 | 0.182 | 0.24 | 0.07 |
| 1880 | 9400 | Right | Touch | / | 21.8 | 23 | 0.177 | 0.23 | 0.304 | 0.40 | 0.02 |
| 1880 | 9400 | Right | Tilt | / | 21.8 | 23 | 0.122 | 0.16 | 0.205 | 0.27 | -0.07 |
| 1907.6 | 9538 | Left | Touch | / | 21.8 | 23 | 0.378 | 0.50 | 0.644 | 0.85 | -0.09 |
| 1852.4 | 9262 | Left | Touch | Fig.7 | 22.1 | 23 | 0.433 | 0.53 | 0.726 | 0.89 | 0.02 |

Table 14.12: SAR Values (WCDMA1900 MHz Body) -AP ON

| Frequency | | Test Position | Figure No. | Conducted Power (dBm) | Max. tune-up Power (dBm) | Measured SAR(10g) (W/kg) | Reported SAR(10g) (W/kg) | Measured SAR(1g) (W/kg) | Reported SAR(1g)(W/kg) | Power Drift (dB) |
|-----------|------|---------------|------------|-----------------------|--------------------------|--------------------------|--------------------------|-------------------------|------------------------|------------------|
| MHz | Ch. | | | | | | | | | |
| 1880 | 9400 | Front | / | 21.8 | 23 | 0.447 | 0.59 | 0.718 | 0.95 | -0.08 |
| 1880 | 9400 | Rear | / | 21.8 | 23 | 0.365 | 0.48 | 0.596 | 0.79 | 0.03 |
| 1880 | 9400 | Left | / | 21.8 | 23 | 0.179 | 0.24 | 0.287 | 0.38 | 0.04 |
| 1880 | 9400 | Right | / | 21.8 | 23 | 0.086 | 0.11 | 0.136 | 0.18 | 0.06 |
| 1880 | 9400 | Bottom | / | 21.8 | 23 | 0.340 | 0.45 | 0.583 | 0.77 | 0.08 |
| 1907.6 | 9538 | Front | / | 21.8 | 23 | 0.468 | 0.62 | 0.795 | 1.05 | -0.10 |
| 1852.4 | 9262 | Front | Fig.8 | 22.1 | 23 | 0.499 | 0.61 | 0.866 | 1.07 | -0.02 |

Note1: The distance between the EUT and the phantom bottom is 10mm.

Table 14.13: SAR Values (WCDMA1900 MHz -Body) -AP OFF

| Frequency | | Test Position | Figure No. | Conducted Power (dBm) | Max. tune-up Power (dBm) | Measured SAR(10g) (W/kg) | Reported SAR(10g) (W/kg) | Measured SAR(1g) (W/kg) | Reported SAR(1g)(W/kg) | Power Drift (dB) |
|-----------|------|---------------|------------|-----------------------|--------------------------|--------------------------|--------------------------|-------------------------|------------------------|------------------|
| MHz | Ch. | | | | | | | | | |
| 1880 | 9400 | Front | / | 21.8 | 23 | 0.447 | 0.59 | 0.718 | 0.95 | -0.08 |
| 1880 | 9400 | Rear | / | 21.8 | 23 | 0.365 | 0.48 | 0.596 | 0.79 | 0.03 |
| 1907.6 | 9538 | Front | / | 21.8 | 23 | 0.468 | 0.62 | 0.795 | 1.05 | -0.10 |
| 1852.4 | 9262 | Front | / | 22.1 | 23 | 0.499 | 0.61 | 0.866 | 1.07 | -0.02 |

Note1: The distance between the EUT and the phantom bottom is 10mm.

Table 14.14: SAR Values (LTE Band 7-Head)

| Frequency | | Configuration | Test Position | Conduct-ed Power (dBm) | Max. tune-up Power (dBm) | Figure No. | Measured SAR(10g) (W/kg) | Reported SAR(10g) (W/kg) | Measured SAR(1g) (W/kg) | Reported SAR(1g) (W/kg) | Power Drift (dB) |
|-----------|-------|---------------|---------------|------------------------|--------------------------|------------|--------------------------|--------------------------|-------------------------|-------------------------|------------------|
| MHz | Ch. | | | | | | | | | | |
| 2560 | 21350 | 1RB_High | Left Touch | 21.86 | 22 | Fig.9 | 0.183 | 0.19 | 0.354 | 0.37 | 0.12 |
| 2560 | 21350 | 50RB_Low | Left Touch | 20.82 | 21 | / | 0.158 | 0.16 | 0.292 | 0.30 | 0.04 |
| 2560 | 21350 | 1RB_High | Left Tilt | 21.86 | 22 | / | 0.055 | 0.06 | 0.109 | 0.11 | -0.08 |
| 2560 | 21350 | 50RB_Low | Left Tilt | 20.82 | 21 | / | 0.050 | 0.05 | 0.102 | 0.11 | 0.06 |
| 2560 | 21350 | 1RB_High | Right Touch | 21.86 | 22 | / | 0.127 | 0.13 | 0.242 | 0.25 | -0.06 |
| 2560 | 21350 | 50RB_Low | Right Touch | 20.82 | 21 | / | 0.121 | 0.13 | 0.232 | 0.24 | 0.08 |
| 2560 | 21350 | 1RB_High | Right Tilt | 21.86 | 22 | / | 0.077 | 0.08 | 0.163 | 0.17 | 0.11 |
| 2560 | 21350 | 50RB_Low | Right Tilt | 20.82 | 21 | / | 0.072 | 0.08 | 0.160 | 0.17 | 0.36 |

Table 14.15: SAR Values (LTE Band 7-Body) -AP ON

| Frequency | | Configuration | Test Position | Conduct-ed Power (dBm) | Max. tune-up Power (dBm) | Figure No. | Measured SAR(10g) (W/kg) | Reported SAR(10g) (W/kg) | Measured SAR(1g) (W/kg) | Reported SAR(1g) (W/kg) | Power Drift (dB) |
|-----------|-------|---------------|----------------|------------------------|--------------------------|------------|--------------------------|--------------------------|-------------------------|-------------------------|------------------|
| MHz | Ch. | | | | | | | | | | |
| 2560 | 21350 | 1RB_High | Front | 21.86 | 22 | / | 0.314 | 0.32 | 0.611 | 0.63 | 0.07 |
| 2560 | 21350 | 50RB_Low | Front | 20.82 | 21 | / | 0.245 | 0.26 | 0.496 | 0.52 | -0.11 |
| 2560 | 21350 | 1RB_High | Rear | 21.86 | 22 | Fig.10 | 0.341 | 0.35 | 0.632 | 0.65 | -0.08 |
| 2560 | 21350 | 50RB_Low | Rear | 20.82 | 21 | / | 0.279 | 0.29 | 0.514 | 0.54 | 0.02 |
| 2560 | 21350 | 1RB_High | Left | 21.86 | 22 | / | 0.041 | 0.04 | 0.078 | 0.08 | 0.07 |
| 2560 | 21350 | 50RB_Low | Left | 20.82 | 21 | / | 0.036 | 0.04 | 0.071 | 0.07 | 0.1 |
| 2560 | 21350 | 1RB_High | Right | 21.86 | 22 | / | 0.027 | 0.03 | 0.047 | 0.05 | 0.07 |
| 2560 | 21350 | 50RB_Low | Right | 20.82 | 21 | / | 0.013 | 0.01 | 0.038 | 0.04 | 0.09 |
| 2560 | 21350 | 1RB_High | Bottom | 21.86 | 22 | / | 0.574 | 0.59 | 1.180 | 1.22 | 0.11 |
| 2560 | 21350 | 50RB_Low | Bottom | 20.82 | 21 | / | 0.452 | 0.47 | 0.895 | 0.93 | 0.07 |
| 2535 | 21100 | 1RB_High | Bottom | 21.80 | 22 | / | 0.553 | 0.58 | 1.120 | 1.17 | 0.05 |
| 2510 | 20850 | 1RB_High | Bottom | 21.70 | 22 | / | 0.524 | 0.56 | 1.040 | 1.11 | -0.11 |
| 2535 | 21100 | 50RB_Low | Bottom | 20.70 | 21 | / | 0.436 | 0.47 | 0.874 | 0.94 | 0.12 |
| 2510 | 20850 | 50RB_Low | Bottom | 20.56 | 21 | / | 0.414 | 0.46 | 0.852 | 0.94 | -0.04 |
| 2560 | 21350 | 100RB_Low | Bottom | 20.72 | 21 | / | 0.458 | 0.49 | 0.892 | 0.95 | 0.02 |
| 2560 | 21350 | 1RB_High | Bottom Headset | 21.86 | 22 | / | 0.566 | 0.58 | 1.12 | 1.16 | -0.05 |

Note1: The distance between the EUT and the phantom bottom is 10mm

Table 14.16: SAR Values (LTE Band 7-Body) -AP OFF

| Frequency | | Configuration | Test Position | Conduct-ed Power (dBm) | Max. tune-up Power (dBm) | Figure No. | Measured SAR(10g) (W/kg) | Reported SAR(10g) (W/kg) | Measured SAR(1g) (W/kg) | Reported SAR(1g) (W/kg) | Power Drift (dB) |
|-----------|-------|---------------|---------------|------------------------|--------------------------|------------|--------------------------|--------------------------|-------------------------|-------------------------|------------------|
| MHz | Ch. | | | | | | | | | | |
| 2560 | 21350 | 1RB_High | Front | 21.86 | 22 | / | 0.314 | 0.32 | 0.611 | 0.63 | 0.07 |
| 2560 | 21350 | 50RB_Low | Front | 20.82 | 21 | / | 0.245 | 0.26 | 0.496 | 0.52 | -0.11 |
| 2560 | 21350 | 1RB_High | Rear | 21.86 | 22 | / | 0.341 | 0.35 | 0.632 | 0.65 | -0.08 |
| 2560 | 21350 | 50RB_Low | Rear | 20.82 | 21 | / | 0.279 | 0.29 | 0.514 | 0.54 | 0.02 |

Note1: The distance between the EUT and the phantom bottom is 10mm

14.2 SAR results for Standard procedure

There is zoom scan measurement to be added for the highest measured SAR in each exposure configuration/band.

Table 14.17: SAR Values (GSM 850 MHz - Head)

| Frequency | | Side | Test Position | Figure No. | Conducted Power (dBm) | Max. tune-up Power (dBm) | Measured SAR(10g) (W/kg) | Reported SAR(10g) (W/kg) | Measured SAR(1g) (W/kg) | Reported SAR(1g)(W/kg) | Power Drift (dB) |
|-----------|-----|-------|---------------|------------|-----------------------|--------------------------|--------------------------|--------------------------|-------------------------|------------------------|------------------|
| MHz | Ch. | | | | | | | | | | |
| 848.8 | 251 | Right | Touch | Fig.1 | 32.78 | 33.5 | 0.282 | 0.33 | 0.366 | 0.43 | 0.05 |

Table 14.18: SAR Values (GSM 850 MHz -Body) –AP ON

| Frequency | | Test Position | Figure No. | Conducted Power (dBm) | Max. tune-up Power (dBm) | Measured SAR(10g) (W/kg) | Reported SAR(10g) (W/kg) | Measured SAR(1g) (W/kg) | Reported SAR(1g)(W/kg) | Power Drift (dB) |
|-----------|-----|---------------|------------|-----------------------|--------------------------|--------------------------|--------------------------|-------------------------|------------------------|------------------|
| MHz | Ch. | | | | | | | | | |
| 848.8 | 251 | Rear | Fig.2 | 29.44 | 30 | 0.595 | 0.68 | 0.852 | 0.97 | 0.05 |

Note1: The distance between the EUT and the phantom bottom is 10mm.

Table 14.19: SAR Values (GSM 1900 MHz - Head)

| Frequency | | Side | Test Position | Figure No. | Conducted Power (dBm) | Max. tune-up Power (dBm) | Measured SAR(10g) (W/kg) | Reported SAR(10g) (W/kg) | Measured SAR(1g) (W/kg) | Reported SAR(1g)(W/kg) | Power Drift (dB) |
|-----------|-----|------|---------------|------------|-----------------------|--------------------------|--------------------------|--------------------------|-------------------------|------------------------|------------------|
| MHz | Ch. | | | | | | | | | | |
| 1909.8 | 810 | Left | Touch | Fig.3 | 29.97 | 31 | 0.252 | 0.32 | 0.412 | 0.52 | 0.04 |

Table 14.20: SAR Values (GSM 1900 MHz -Body) –AP ON

| Frequency | | Test Position | Figure No. | Conducted Power (dBm) | Max. tune-up Power (dBm) | Measured SAR(10g) (W/kg) | Reported SAR(10g) (W/kg) | Measured SAR(1g) (W/kg) | Reported SAR(1g)(W/kg) | Power Drift (dB) |
|-----------|-----|---------------|------------|-----------------------|--------------------------|--------------------------|--------------------------|-------------------------|------------------------|------------------|
| MHz | Ch. | | | | | | | | | |
| 1850.2 | 512 | Rear | Fig.4 | 26.74 | 27 | 0.503 | 0.53 | 0.815 | 0.87 | 0.09 |

Note1: The distance between the EUT and the phantom bottom is 10mm.

Table 14.21: SAR Values (WCDMA 850 MHz - Head)

| Frequency | | Side | Test Position | Figure No. | Conducted Power (dBm) | Max. tune-up Power (dBm) | Measured SAR(10g) (W/kg) | Reported SAR(10g) (W/kg) | Measured SAR(1g) (W/kg) | Reported SAR(1g)(W/kg) | Power Drift (dB) |
|-----------|------|-------|---------------|------------|-----------------------|--------------------------|--------------------------|--------------------------|-------------------------|------------------------|------------------|
| MHz | Ch. | | | | | | | | | | |
| 836.4 | 4182 | Right | Touch | Fig.5 | 22.1 | 23 | 0.184 | 0.23 | 0.241 | 0.30 | 0.06 |

Table 14.22: SAR Values (WCDMA 850 MHz -Body) –AP ON

| Frequency | | Test Position | Figure No. | Conducted Power (dBm) | Max. tune-up Power (dBm) | Measured SAR(10g) (W/kg) | Reported SAR(10g) (W/kg) | Measured SAR(1g) (W/kg) | Reported SAR(1g)(W/kg) | Power Drift (dB) |
|-----------|------|---------------|------------|-----------------------|--------------------------|--------------------------|--------------------------|-------------------------|------------------------|------------------|
| MHz | Ch. | | | | | | | | | |
| 836.4 | 4182 | Rear | Fig.6 | 22.1 | 23 | 0.238 | 0.29 | 0.325 | 0.40 | -0.02 |

Note1: The distance between the EUT and the phantom bottom is 10mm

Table 14.23: SAR Values (WCDMA1900 MHz - Head)

| Frequency | | Side | Test Position | Figure No. | Conducted Power (dBm) | Max. tune-up Power (dBm) | Measured SAR(10g) (W/kg) | Reported SAR(10g) (W/kg) | Measured SAR(1g) (W/kg) | Reported SAR(1g)(W/kg) | Power Drift (dB) |
|-----------|------|------|---------------|------------|-----------------------|--------------------------|--------------------------|--------------------------|-------------------------|------------------------|------------------|
| MHz | Ch. | | | | | | | | | | |
| 1852.4 | 9262 | Left | Touch | Fig.7 | 22.1 | 23 | 0.433 | 0.53 | 0.726 | 0.89 | 0.02 |

Table 14.24: SAR Values (WCDMA1900 MHz -Body) –AP ON

| Frequency | | Test Position | Figure No. | Conducted Power (dBm) | Max. tune-up Power (dBm) | Measured SAR(10g) (W/kg) | Reported SAR(10g) (W/kg) | Measured SAR(1g) (W/kg) | Reported SAR(1g) (W/kg) | Power Drift (dB) |
|-----------|------|---------------|------------|-----------------------|--------------------------|--------------------------|--------------------------|-------------------------|-------------------------|------------------|
| MHz | Ch. | | | | | | | | | |
| 1852.4 | 9262 | Front | Fig.8 | 22.1 | 23 | 0.499 | 0.61 | 0.866 | 1.07 | -0.02 |

Note1: The distance between the EUT and the phantom bottom is 10mm

Table 14.25: SAR Values (LTE Band 7-Head)

| Frequency | | Configuration | Test Position | Conduct-ed Power (dBm) | Max. tune-up Power (dBm) | Figure No. | Measured SAR(10g) (W/kg) | Reported SAR(10g) (W/kg) | Measured SAR(1g) (W/kg) | Reported SAR(1g) (W/kg) | Power Drift (dB) |
|-----------|-------|---------------|---------------|------------------------|--------------------------|------------|--------------------------|--------------------------|-------------------------|-------------------------|------------------|
| MHz | Ch. | | | | | | | | | | |
| 2560 | 21350 | 1RB_High | Left Touch | 21.86 | 22 | Fig.9 | 0.183 | 0.19 | 0.354 | 0.37 | 0.12 |

Table 14.26: SAR Values (LTE Band 7-Body) -AP ON

| Frequency | | Configuration | Test Position | Conduct-ed Power (dBm) | Max. tune-up Power (dBm) | Figure No. | Measured SAR(10g) (W/kg) | Reported SAR(10g) (W/kg) | Measured SAR(1g) (W/kg) | Reported SAR(1g) (W/kg) | Power Drift (dB) |
|-----------|-------|---------------|---------------|------------------------|--------------------------|------------|--------------------------|--------------------------|-------------------------|-------------------------|------------------|
| MHz | Ch. | | | | | | | | | | |
| 2560 | 21350 | 1RB_High | Bottom | 21.86 | 22 | Fig.10 | 0.574 | 0.59 | 1.180 | 1.22 | 0.11 |

Note: The distance between the EUT and the phantom bottom is 10mm.

14.3 WLAN Evaluation For 2.4G

According to the KDB248227 D01, SAR is measured for 2.4GHz 802.11b DSSS using the initial test position procedure.

Head Evaluation

Table 14.27: SAR Values (WLAN - Head)– 802.11b 11Mbps (Fast SAR)

| Frequency | | Side | Test Position | Figure No. | Conducted Power (dBm) | Max. tune-up Power (dBm) | Measured SAR(10g) (W/kg) | Reported SAR(10g) (W/kg) | Measured SAR(1g) (W/kg) | Reported SAR(1g)(W/kg) | Power Drift (dB) |
|-----------|-----|-------|---------------|------------|-----------------------|--------------------------|--------------------------|--------------------------|-------------------------|------------------------|------------------|
| MHz | Ch. | | | | | | | | | | |
| 2462 | 11 | Left | Touch | / | 15.32 | 16 | 0.173 | 0.20 | 0.330 | 0.39 | 0.08 |
| 2462 | 11 | Left | Tilt | / | 15.32 | 16 | 0.137 | 0.16 | 0.286 | 0.33 | 0.05 |
| 2462 | 11 | Right | Touch | / | 15.32 | 16 | 0.141 | 0.16 | 0.183 | 0.21 | -0.12 |
| 2462 | 11 | Right | Tilt | / | 15.32 | 16 | 0.144 | 0.18 | 0.185 | 0.23 | 0.11 |

As shown above table, the initial test position for head is “Left Touch”. So the head SAR of WLAN is presented as below:

Table 14.28: SAR Values (WLAN - Head) – 802.11b 11Mbps (Full SAR)

| Frequency | | Side | Test Position | Figure No. | Conducted Power (dBm) | Max. tune-up Power (dBm) | Measured SAR(10g) (W/kg) | Reported SAR(10g) (W/kg) | Measured SAR(1g) (W/kg) | Reported SAR(1g)(W/kg) | Power Drift (dB) |
|-----------|-----|------|---------------|------------|-----------------------|--------------------------|--------------------------|--------------------------|-------------------------|------------------------|------------------|
| MHz | Ch. | | | | | | | | | | |
| 2462 | 11 | Left | Touch | Fig.11 | 15.32 | 16 | 0.175 | 0.20 | 0.372 | 0.44 | 0.08 |
| 2462 | 11 | Left | Tilt | / | 15.32 | 16 | 0.132 | 0.15 | 0.289 | 0.34 | 0.05 |

According to the KDB248227 D01, The reported SAR must be scaled to 100% transmission duty factor to determine compliance at the maximum tune-up tolerance limit. A maximum transmission duty factor of 95.0% is achievable for WLAN in this project and the scaled reported SAR is presented as below.

Table 14.29: SAR Values (WLAN - Head) – 802.11b 11Mbps (Scaled Reported SAR)

| Frequency | | Side | Test Position | Actual duty factor | maximum duty factor | Reported SAR (1g)(W/kg) | Scaled reported SAR (1g)(W/kg) |
|-----------|-----|------|---------------|--------------------|---------------------|-------------------------|--------------------------------|
| MHz | Ch. | | | | | | |
| 2462 | 11 | Left | Touch | 95.0% | 100% | 0.44 | 0.46 |

SAR is not required for OFDM because the 802.11b adjusted SAR \leq 1.2 W/kg.

Body Evaluation

Table 14.30: SAR Values (WLAN - Body)– 802.11b 11Mbps (Fast SAR)-AP ON

| Frequency | | Test Position | Figure No. | Conducted Power (dBm) | Max. tune-up Power (dBm) | Measured SAR(10g) (W/kg) | Reported SAR(10g) (W/kg) | Measured SAR(1g) (W/kg) | Reported SAR(1g)(W/kg) | Power Drift (dB) |
|-----------|-----|---------------|------------|-----------------------|--------------------------|--------------------------|--------------------------|-------------------------|------------------------|------------------|
| MHz | Ch. | | | | | | | | | |
| 2462 | 11 | Front | / | 15.32 | 16 | 0.032 | 0.04 | 0.058 | 0.07 | 0.05 |
| 2462 | 11 | Rear | / | 15.32 | 16 | 0.040 | 0.05 | 0.078 | 0.09 | -0.04 |
| 2462 | 11 | Right | / | 15.32 | 16 | 0.022 | 0.03 | 0.047 | 0.05 | 0.11 |
| 2462 | 11 | Top | / | 15.32 | 16 | 0.037 | 0.04 | 0.073 | 0.09 | 0.14 |

Note1: The distance between the EUT and the phantom bottom is 10mm.

As shown above table, the initial test position for body is “Rear”. So the body SAR of WLAN is presented as below:

Table 14.31: SAR Values (WLAN - Body) – 802.11b 11Mbps (Full SAR)

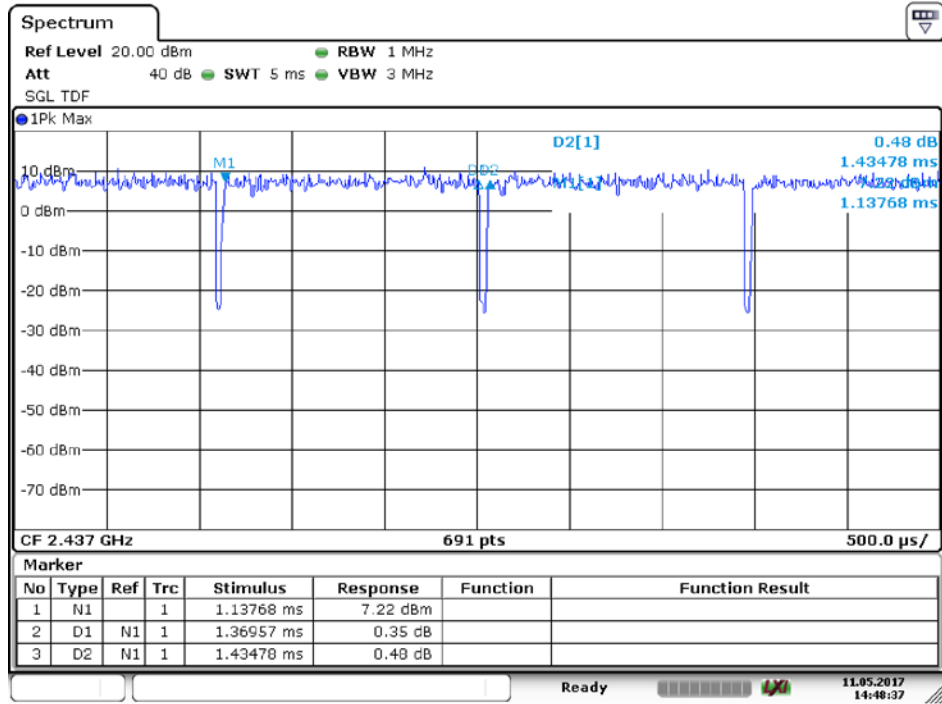
| Frequency | | Test Position | Figure No. | Conducted Power (dBm) | Max. tune-up Power (dBm) | Measured SAR(10g) (W/kg) | Reported SAR(10g) (W/kg) | Measured SAR(1g) (W/kg) | Reported SAR(1g)(W/kg) | Power Drift (dB) |
|-----------|-----|---------------|------------|-----------------------|--------------------------|--------------------------|--------------------------|-------------------------|------------------------|------------------|
| MHz | Ch. | | | | | | | | | |
| 2462 | 11 | Rear | Fig.12 | 15.01 | 16 | 0.042 | 0.05 | 0.082 | 0.10 | -0.04 |

According to the KDB248227 D01, The reported SAR must be scaled to 100% transmission duty factor to determine compliance at the maximum tune-up tolerance limit. A maximum transmission duty factor of 95.0% is achievable for WLAN in this project and the scaled reported SAR is presented as below.

Table 14.32: SAR Values (WLAN - Body) – 802.11b 11Mbps (Scaled Reported SAR)

| Frequency | | Test Position | Actual duty factor | maximum duty factor | Reported SAR (1g)(W/kg) | Scaled reported SAR (1g)(W/kg) |
|---|-----|---------------|--------------------|---------------------|-------------------------|--------------------------------|
| MHz | Ch. | | | | | |
| Ambient Temperature: 22.3°C Liquid Temperature: 21.8°C | | | | | | |
| 2462 | 11 | Rear | 95.0% | 100% | 0.10 | 0.11 |

SAR is not required for OFDM because the 802.11b adjusted SAR \leq 1.2 W/kg.



Date: 11.MAY.2017 14:48:37

Picture 14.1: The plot of duty factor

14.4 WLAN Evaluation For 5G

Table 14.33: OFDM mode specified maximum output power of WLAN antenna

| 802.11 mode | a | g | n | | ac | | | |
|-----------------|----|----|----|----|----|----|----|-----|
| Ch. BW(MHz) | 20 | 20 | 20 | 40 | 20 | 40 | 80 | 160 |
| U-NII-1 | X | | X | X | | | | |
| U-NII-2A | X | | X | X | | | | |
| U-NII-2C | | | | | | | | |
| U-NII-3 | X | | X | X | | | | |
| §15.247(5.8GHz) | | | | | | | | |

X: maximum(conducted) output power(mW), including tolerance, specified for production units

Table 14.34: Maximum output power specified of WLAN antenna

| 802.11 mode | a | g | n | | ac | | | |
|------------------|----|----|----|----|----|----|----|-----|
| Ch. BW(MHz) | 20 | 20 | 20 | 40 | 20 | 40 | 80 | 160 |
| U-NII-1 | 14 | | 14 | 14 | | | | |
| U-NII-2A | 14 | | 14 | 14 | | | | |
| U-NII-2C | | | | | | | | |
| U-NII-3 | 14 | | 14 | 14 | | | | |
| § 15.247(5.8GHz) | | | | | | | | |

- The maximum output power specified for production units is the same for all channels, modulations and data rates in each channel bandwidth configuration of the 802.11 a/g/n/ac modes.
- The **blue highlighted** cells represent highest output configurations in each standalone or aggregated frequency band, with tune-up tolerance included
- For SAR test reduction in the 2.4GHz band, the maximum output specified for production units is 16mW for 802.11b and the highest reported SAR for DSSS is 0.46 W/kg for head, 0.11 W/kg for body.

Table 14.35: Maximum output power measured of WLAN antenna, for the applicable OFDM configurations according to the default power measurement procedures for selection initial test configurations

| 802.11 mode | a | n | |
|-------------|---|---|----------------------|
| Ch. BW(MHz) | 20 | 20 | 40 |
| U-NII-1 | 36/40/44/48 11.6/12.3/11.1/12.5 | 36/40/44/48 11.3/12.0/12.5/12.7 | 38/46 11.1/11.9 |
| U-NII-2A | 52/56/60/64 10.7/11.0/10.7/11.4 | 52/56/60/64 10.8/11.4/11.4/11.5 | 54/62 10.5/11.0 |
| U-NII-3 | 149/153/157/161/165 13.3/13.1/13.1/13.0/13.0 | 149/153/157/161/165 13.3/13.1/13.0/13.1/12.9 | 151/159 12.4/11.6 |

- Channels with measured maximum power within 0.25dB are considered to have the same measured output.
- Channels selected for initial test configuration are **highlighted in yellow**.

Table 14.36: Reported SAR of initial test configuration for head

| 802.11 mode | a | n | |
|-------------|---------------------|---|---------|
| Ch. BW(MHz) | 20 | 20 | 40 |
| U-NII-1 | 36/40/44/48 | 36/40/44/48 0.53 | 38/46 |
| U-NII-2A | 52/56/60/64 | 52/56/60/64 U-NII-1 exclusion applied | 54/62 |
| U-NII-3 | 149/153/157/161/165 | 149/153/157/161/165 0.13 | 151/159 |

U-NII-1 and U-NII-2A bands have the same specified maximum output and tolerance; SAR is measured for U-NII-1 band first. Adjusted SAR of U-NII-1 band is $\leq 1.2\text{W/kg}$, SAR is not required for U-NII-2A band.

Table 14.37: SAR Values (WLAN - Head)

| Frequency | | Side | Test Position | Figure No. | Conducted Power (dBm) | Max. tune-up Power (dBm) | Measured SAR(10g) (W/kg) | Reported SAR(10g) (W/kg) | Measured SAR(1g) (W/kg) | Reported SAR(1g) (W/kg) | Power Drift (dB) |
|-----------|-----|-------|---------------|------------|-----------------------|--------------------------|--------------------------|--------------------------|-------------------------|-------------------------|------------------|
| MHz | Ch. | | | | | | | | | | |
| 5240 | 48 | Left | Touch | Fig.13 | 11.02 | 11.5 | 0.133 | 0.15 | 0.478 | 0.53 | 0.11 |
| 5240 | 48 | Left | Tilt | / | 11.02 | 11.5 | 0.123 | 0.14 | 0.425 | 0.47 | 0.14 |
| 5240 | 48 | Right | Touch | / | 11.02 | 11.5 | 0.080 | 0.09 | 0.210 | 0.23 | -0.06 |
| 5240 | 48 | Right | Tilt | / | 11.02 | 11.5 | 0.066 | 0.07 | 0.226 | 0.25 | -0.07 |
| 5745 | 149 | Left | Touch | / | 11.25 | 11.5 | 0.022 | 0.02 | 0.126 | 0.13 | 0.08 |
| 5745 | 149 | Left | Tilt | / | 11.25 | 11.5 | 0.018 | 0.02 | 0.106 | 0.11 | 0.03 |
| 5745 | 149 | Right | Touch | / | 11.25 | 11.5 | 0.014 | 0.01 | 0.073 | 0.08 | 0.05 |
| 5745 | 149 | Right | Tilt | / | 11.25 | 11.5 | 0.009 | 0.01 | 0.053 | 0.06 | -0.12 |

According to the KDB248227 D01, The reported SAR must be scaled to 100% transmission duty factor to determine compliance at the maximum tune-up tolerance limit. The scaled reported SAR is presented as below.

Table 14.38: SAR Values (5GWLAN - Head) – 802.11n (Scaled Reported SAR)

| Frequency | | Side | Test Position | Actual duty factor | maximum duty factor | Reported SAR (1g)(W/kg) | Scaled reported SAR (1g)(W/kg) |
|-----------|-----|-------|---------------|--------------------|---------------------|-------------------------|--------------------------------|
| MHz | Ch. | | | | | | |
| 5240 | 48 | Left | Touch | 95.0% | 100% | 0.53 | 0.56 |
| 5240 | 48 | Right | Touch | 95.0% | 100% | 0.23 | 0.24 |

Table 14.39: Reported SAR of initial test configuration for Body

| 802.11 mode | a | n | |
|-------------|---------------------|---|---------|
| Ch. BW(MHz) | 20 | 20 | 40 |
| U-NII-1 | 36/40/44/48 | 36/40/44/48 0.26 | 38/46 |
| U-NII-2A | 52/56/60/64 | 52/56/60/64 U-NII-1 exclusion applied | 54/62 |
| U-NII-3 | 149/153/157/161/165 | 149/153/157/161/165 0.14 | 151/159 |

U-NII-1 and U-NII-2A bands have the same specified maximum output and tolerance; SAR is measured for U-NII-1 band first. Adjusted SAR of U-NII-1 band is $\leq 1.2\text{W/kg}$, SAR is not required for U-NII-2A band.

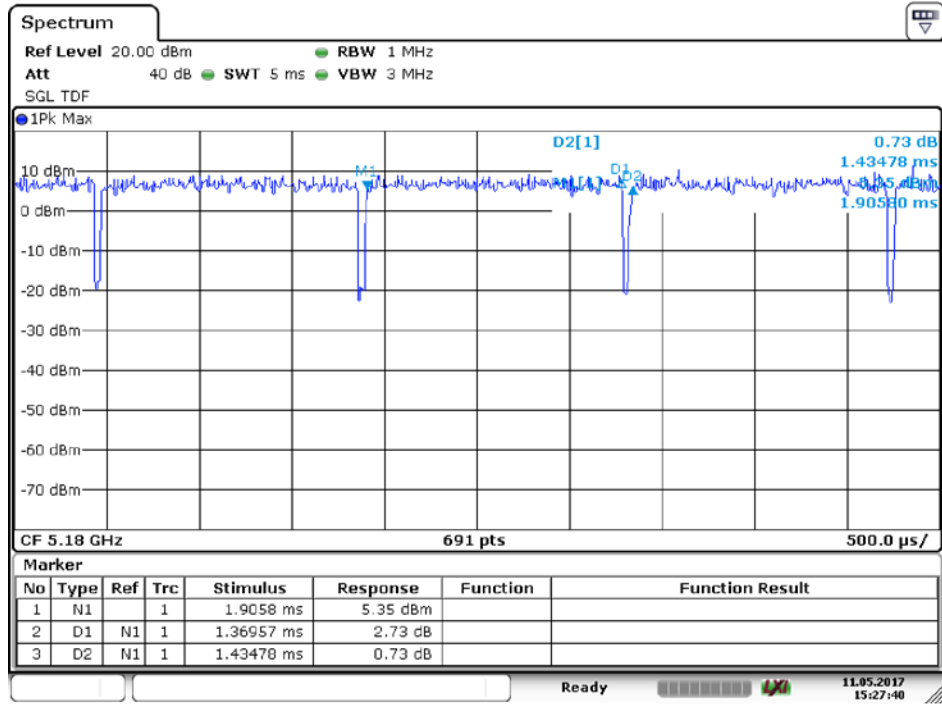
Table 14.40: SAR Values (WLAN - Body)

| Frequency | | Test Position | Figure No. | Conducted Power (dBm) | Max. tune-up Power (dBm) | Measured SAR(10g) (W/kg) | Reported SAR(10g) (W/kg) | Measured SAR(1g) (W/kg) | Reported SAR(1g)(W/kg) | Power Drift (dB) |
|-----------|-----|---------------|------------|-----------------------|--------------------------|--------------------------|--------------------------|-------------------------|------------------------|------------------|
| MHz | Ch. | | | | | | | | | |
| 5240 | 48 | Front | / | 11.02 | 11.5 | 0.050 | 0.06 | 0.107 | 0.12 | 0.02 |
| 5240 | 48 | Rear | / | 11.02 | 11.5 | 0.099 | 0.11 | 0.234 | 0.26 | 0.06 |
| 5240 | 48 | Right | / | 11.02 | 11.5 | 0.083 | 0.09 | 0.142 | 0.16 | 0.14 |
| 5240 | 48 | Top | / | 11.02 | 11.5 | 0.052 | 0.06 | 0.128 | 0.14 | -0.08 |
| 5745 | 149 | Front | / | 11.25 | 11.5 | 0.025 | 0.03 | 0.058 | 0.06 | -0.05 |
| 5745 | 149 | Rear | / | 11.25 | 11.5 | 0.044 | 0.05 | 0.136 | 0.14 | -0.09 |
| 5745 | 149 | Right | / | 11.25 | 11.5 | 0.044 | 0.05 | 0.109 | 0.12 | 0.11 |
| 5745 | 149 | Top | / | 11.25 | 11.5 | 0.047 | 0.05 | 0.089 | 0.09 | 0.17 |

According to the KDB248227 D01, The reported SAR must be scaled to 100% transmission duty factor to determine compliance at the maximum tune-up tolerance limit. The scaled reported SAR is presented as below.

Table 14.41: SAR Values (5GWLAN - Body) – 802.11n (Scaled Reported SAR)

| Frequency | | Test Position | Actual duty factor | maximum duty factor | Reported SAR (1g)(W/kg) | Scaled reported SAR (1g)(W/kg) |
|-----------|-----|---------------|--------------------|---------------------|-------------------------|--------------------------------|
| MHz | Ch. | | | | | |
| 5240 | 48 | Rear | 95.0% | 100% | 0.26 | 0.27 |



Date: 11.MAY.2017 15:27:40

Picture 14.2: The plot of duty factor

15 SAR Measurement Variability

SAR measurement variability must be assessed for each frequency band, which is determined by the SAR probe calibration point and tissue-equivalent medium used for the device measurements. When both head and body tissue-equivalent media are required for SAR measurements in a frequency band, the variability measurement procedures should be applied to the tissue medium with the highest measured SAR, using the highest measured SAR configuration for that tissue-equivalent medium.

The following procedures are applied to determine if repeated measurements are required.

- 1) Repeated measurement is not required when the original highest measured SAR is < 0.80 W/kg; steps 2) through 4) do not apply.
- 2) When the original highest measured SAR is ≥ 0.80 W/kg, repeat that measurement once.
- 3) Perform a second repeated measurement only if the ratio of largest to smallest SAR for the original and first repeated measurements is > 1.20 or when the original or repeated measurement is ≥ 1.45 W/kg (~ 10% from the 1-g SAR limit).
- 4) Perform a third repeated measurement only if the original, first or second repeated measurement is ≥ 1.5 W/kg and the ratio of largest to smallest SAR for the original, first and second repeated measurements is > 1.20 .

Table 15.1: SAR Measurement Variability for Body GSM 850 (1g) –AP ON

| Frequency | | Test Position | Spacing (mm) | Original SAR (W/kg) | First Repeated SAR (W/kg) | The Ratio | Second Repeated SAR (W/kg) |
|-----------|-----|---------------|--------------|---------------------|---------------------------|-----------|----------------------------|
| MHz | Ch. | | | | | | |
| 848.8 | 251 | Rear | 10 | 0.852 | 0.844 | 1.01 | / |

Table 15.2: SAR Measurement Variability for Body GSM 1900 (1g) - AP ON

| Frequency | | Test Position | Spacing (mm) | Original SAR (W/kg) | First Repeated SAR (W/kg) | The Ratio | Second Repeated SAR (W/kg) |
|-----------|-----|---------------|--------------|---------------------|---------------------------|-----------|----------------------------|
| MHz | Ch. | | | | | | |
| 1850.2 | 512 | Rear | 10 | 0.815 | 0.806 | 1.01 | / |

Table 15.3: SAR Measurement Variability for Body WCDMA1900 (1g) - AP ON

| Frequency | | Test Position | Spacing (mm) | Original SAR (W/kg) | First Repeated SAR (W/kg) | The Ratio | Second Repeated SAR (W/kg) |
|-----------|------|---------------|--------------|---------------------|---------------------------|-----------|----------------------------|
| MHz | Ch. | | | | | | |
| 1852.4 | 9262 | Front | 10 | 0.866 | 0.853 | 1.02 | / |

Table 15.4: SAR Measurement Variability for Body LTE Band 7 (1g) –AP ON

| Frequency | | Test Position | Spacing (mm) | Original SAR (W/kg) | First Repeated SAR (W/kg) | The Ratio | Second Repeated SAR (W/kg) |
|-----------|-------|---------------|--------------|---------------------|---------------------------|-----------|----------------------------|
| MHz | Ch. | | | | | | |
| 2560 | 21350 | Bottom | 10 | 1.18 | 1.14 | 1.03 | / |

16 Measurement Uncertainty

16.1 Measurement Uncertainty for Normal SAR Tests (300MHz~3GHz)

| No. | Error Description | Type | Uncertainty value | Probably Distribution | Div. | (Ci) 1g | (Ci) 10g | Std. Unc. (1g) | Std. Unc. (10g) | Degree of freedom |
|--|---|--|-------------------|-----------------------|------------|---------|----------|----------------|-----------------|-------------------|
| Measurement system | | | | | | | | | | |
| 1 | Probe calibration | B | 12 | N | 2 | 1 | 1 | 6.0 | 6.0 | ∞ |
| 2 | Isotropy | B | 7.4 | R | $\sqrt{3}$ | 1 | 1 | 4.3 | 4.3 | ∞ |
| 3 | Boundary effect | B | 1.1 | R | $\sqrt{3}$ | 1 | 1 | 0.6 | 0.6 | ∞ |
| 4 | Linearity | B | 4.7 | R | $\sqrt{3}$ | 1 | 1 | 2.7 | 2.7 | ∞ |
| 5 | Detection limit | B | 1.0 | R | $\sqrt{3}$ | 1 | 1 | 0.6 | 0.6 | ∞ |
| 6 | Readout electronics | B | 1.0 | N | 1 | 1 | 1 | 1.0 | 1.0 | ∞ |
| 7 | Response time | B | 0.0 | R | $\sqrt{3}$ | 1 | 1 | 0.0 | 0.0 | ∞ |
| 8 | Integration time | B | 1.7 | R | $\sqrt{3}$ | 1 | 1 | 1.0 | 1.0 | ∞ |
| 9 | RF ambient conditions-noise | B | 3.0 | R | $\sqrt{3}$ | 1 | 1 | 1.7 | 1.7 | ∞ |
| 10 | RF ambient conditions-reflection | B | 3.0 | R | $\sqrt{3}$ | 1 | 1 | 1.7 | 1.7 | ∞ |
| 11 | Probe positioned mech. restrictions | B | 0.35 | R | $\sqrt{3}$ | 1 | 1 | 0.2 | 0.2 | ∞ |
| 12 | Probe positioning with respect to phantom shell | B | 2.9 | R | $\sqrt{3}$ | 1 | 1 | 1.7 | 1.7 | ∞ |
| 13 | Post-processing | B | 1.0 | R | $\sqrt{3}$ | 1 | 1 | 0.6 | 0.6 | ∞ |
| Test sample related | | | | | | | | | | |
| 14 | Test sample positioning | A | 3.3 | N | 1 | 1 | 1 | 3.3 | 3.3 | 5 |
| 15 | Device holder uncertainty | A | 3.4 | N | 1 | 1 | 1 | 3.4 | 3.4 | 5 |
| 16 | Drift of output power | B | 5.0 | R | $\sqrt{3}$ | 1 | 1 | 2.9 | 2.9 | ∞ |
| Phantom and set-up | | | | | | | | | | |
| 17 | Phantom uncertainty | B | 1.0 | R | $\sqrt{3}$ | 1 | 1 | 0.6 | 0.6 | ∞ |
| 18 | Liquid conductivity (target) | B | 5.0 | R | $\sqrt{3}$ | 0.64 | 0.43 | 1.8 | 1.2 | ∞ |
| 19 | Liquid conductivity (meas.) | A | 1.3 | N | 1 | 0.64 | 0.43 | 0.83 | 0.56 | 9 |
| 20 | Liquid permittivity (target) | B | 5.0 | R | $\sqrt{3}$ | 0.6 | 0.49 | 1.7 | 1.4 | ∞ |
| 21 | Liquid permittivity (meas.) | A | 1.6 | N | 1 | 0.6 | 0.49 | 0.96 | 0.78 | 9 |
| Combined standard uncertainty | | $u_c = \sqrt{\sum_{i=1}^{21} c_i^2 u_i^2}$ | | | | | | 10.4 | 10.3 | 95.5 |
| Expanded uncertainty (Confidence interval of 95 %) | | $u_e = 2u_c$ | | | | | | 20.8 | 20.6 | |

16.2 Measurement Uncertainty for Fast SAR Tests (300MHz~3GHz)

| No. | Error Description | Type | Uncertainty value | Probably Distribution | Div. | (Ci) 1g | (Ci) 10g | Std. Unc. (1g) | Std. Unc. (10g) | Degree of freedom |
|--|---|--|-------------------|-----------------------|------------|---------|----------|----------------|-----------------|-------------------|
| Measurement system | | | | | | | | | | |
| 1 | Probe calibration | B | 12 | N | 2 | 1 | 1 | 6.0 | 6.0 | ∞ |
| 2 | Isotropy | B | 7.4 | R | $\sqrt{3}$ | 1 | 1 | 4.3 | 4.3 | ∞ |
| 3 | Boundary effect | B | 1.1 | R | $\sqrt{3}$ | 1 | 1 | 0.6 | 0.6 | ∞ |
| 4 | Linearity | B | 4.7 | R | $\sqrt{3}$ | 1 | 1 | 2.7 | 2.7 | ∞ |
| 5 | Detection limit | B | 1.0 | R | $\sqrt{3}$ | 1 | 1 | 0.6 | 0.6 | ∞ |
| 6 | Readout electronics | B | 1.0 | N | 1 | 1 | 1 | 1.0 | 1.0 | ∞ |
| 7 | Response time | B | 0.0 | R | $\sqrt{3}$ | 1 | 1 | 0.0 | 0.0 | ∞ |
| 8 | Integration time | B | 1.7 | R | $\sqrt{3}$ | 1 | 1 | 1.0 | 1.0 | ∞ |
| 9 | RF ambient conditions-noise | B | 3.0 | R | $\sqrt{3}$ | 1 | 1 | 1.7 | 1.7 | ∞ |
| 10 | RF ambient conditions-reflection | B | 3.0 | R | $\sqrt{3}$ | 1 | 1 | 1.7 | 1.7 | ∞ |
| 11 | Probe positioned mech. Restrictions | B | 0.35 | R | $\sqrt{3}$ | 1 | 1 | 0.2 | 0.2 | ∞ |
| 12 | Probe positioning with respect to phantom shell | B | 2.9 | R | $\sqrt{3}$ | 1 | 1 | 1.7 | 1.7 | ∞ |
| 13 | Post-processing | B | 1.0 | R | $\sqrt{3}$ | 1 | 1 | 0.6 | 0.6 | ∞ |
| 14 | Fast SAR z-Approximation | B | 7.0 | R | $\sqrt{3}$ | 1 | 1 | 4.0 | 4.0 | ∞ |
| Test sample related | | | | | | | | | | |
| 15 | Test sample positioning | A | 3.3 | N | 1 | 1 | 1 | 3.3 | 3.3 | 5 |
| 16 | Device holder uncertainty | A | 3.4 | N | 1 | 1 | 1 | 3.4 | 3.4 | 5 |
| 17 | Drift of output power | B | 5.0 | R | $\sqrt{3}$ | 1 | 1 | 2.9 | 2.9 | ∞ |
| Phantom and set-up | | | | | | | | | | |
| 18 | Phantom uncertainty | B | 1.0 | R | $\sqrt{3}$ | 1 | 1 | 0.6 | 0.6 | ∞ |
| 19 | Liquid conductivity (target) | B | 5.0 | R | $\sqrt{3}$ | 0.64 | 0.43 | 1.8 | 1.2 | ∞ |
| 20 | Liquid conductivity (meas.) | A | 1.3 | N | 1 | 0.64 | 0.43 | 0.83 | 0.56 | 43 |
| 21 | Liquid permittivity (target) | B | 5.0 | R | $\sqrt{3}$ | 0.6 | 0.49 | 1.7 | 1.4 | ∞ |
| 22 | Liquid permittivity (meas.) | A | 1.6 | N | 1 | 0.6 | 0.49 | 0.96 | 0.78 | 521 |
| Combined standard uncertainty | | $u_c = \sqrt{\sum_{i=1}^{22} c_i^2 u_i^2}$ | | | | | | 11.1 | 11.0 | 257 |
| Expanded uncertainty (Confidence interval of 95 %) | | $u_e = 2u_c$ | | | | | | 22.2 | 22.0 | |

16.3 Measurement Uncertainty for Normal SAR Tests (3GHz~6GHz)

| No. | Error Description | Type | Uncertainty value | Probably Distribution | Div. | (Ci) 1g | (Ci) 10g | Std. Unc. (1g) | Std. Unc. (10g) | Degree of freedom |
|--|---|--|-------------------|-----------------------|------------|---------|----------|----------------|-----------------|-------------------|
| Measurement system | | | | | | | | | | |
| 1 | Probe calibration | B | 13 | N | 2 | 1 | 1 | 6.5 | 6.5 | ∞ |
| 2 | Isotropy | B | 7.4 | R | $\sqrt{3}$ | 1 | 1 | 4.3 | 4.3 | ∞ |
| 3 | Boundary effect | B | 2.3 | R | $\sqrt{3}$ | 1 | 1 | 1.3 | 1.3 | ∞ |
| 4 | Linearity | B | 4.7 | R | $\sqrt{3}$ | 1 | 1 | 2.7 | 2.7 | ∞ |
| 5 | Detection limit | B | 1.0 | R | $\sqrt{3}$ | 1 | 1 | 0.6 | 0.6 | ∞ |
| 6 | Readout electronics | B | 1.0 | N | 1 | 1 | 1 | 1.0 | 1.0 | ∞ |
| 7 | Response time | B | 0.0 | R | $\sqrt{3}$ | 1 | 1 | 0.0 | 0.0 | ∞ |
| 8 | Integration time | B | 1.7 | R | $\sqrt{3}$ | 1 | 1 | 1.0 | 1.0 | ∞ |
| 9 | RF ambient conditions-noise | B | 3.0 | R | $\sqrt{3}$ | 1 | 1 | 1.7 | 1.7 | ∞ |
| 10 | RF ambient conditions-reflection | B | 3.0 | R | $\sqrt{3}$ | 1 | 1 | 1.7 | 1.7 | ∞ |
| 11 | Probe positioned mech. restrictions | B | 0.71 | R | $\sqrt{3}$ | 1 | 1 | 0.4 | 0.4 | ∞ |
| 12 | Probe positioning with respect to phantom shell | B | 5.7 | R | $\sqrt{3}$ | 1 | 1 | 3.3 | 3.3 | ∞ |
| 13 | Post-processing | B | 4.0 | R | $\sqrt{3}$ | 1 | 1 | 2.3 | 2.3 | ∞ |
| Test sample related | | | | | | | | | | |
| 14 | Test sample positioning | A | 3.3 | N | 1 | 1 | 1 | 3.3 | 3.3 | 5 |
| 15 | Device holder uncertainty | A | 3.4 | N | 1 | 1 | 1 | 3.4 | 3.4 | 5 |
| 16 | Drift of output power | B | 5.0 | R | $\sqrt{3}$ | 1 | 1 | 2.9 | 2.9 | ∞ |
| Phantom and set-up | | | | | | | | | | |
| 17 | Phantom uncertainty | B | 1.0 | R | $\sqrt{3}$ | 1 | 1 | 0.6 | 0.6 | ∞ |
| 18 | Liquid conductivity (target) | B | 5.0 | R | $\sqrt{3}$ | 0.64 | 0.43 | 1.8 | 1.2 | ∞ |
| 19 | Liquid conductivity (meas.) | A | 1.3 | N | 1 | 0.64 | 0.43 | 0.83 | 0.56 | 9 |
| 20 | Liquid permittivity (target) | B | 5.0 | R | $\sqrt{3}$ | 0.6 | 0.49 | 1.7 | 1.4 | ∞ |
| 21 | Liquid permittivity (meas.) | A | 1.6 | N | 1 | 0.6 | 0.49 | 0.96 | 0.78 | 9 |
| Combined standard uncertainty | | $u_c = \sqrt{\sum_{i=1}^{21} c_i^2 u_i^2}$ | | | | | | 11.3 | 11.2 | 95.5 |
| Expanded uncertainty (Confidence interval of 95 %) | | $u_e = 2u_c$ | | | | | | 22.6 | 22.4 | |

16.4 Measurement Uncertainty for Fast SAR Tests (3GHz~6GHz)

| No. | Error Description | Type | Uncertainty value | Probably Distribution | Div | (Ci) 1g | (Ci) 10g | Std. Unc. (1g) | Std. Unc. (10g) | Degree of freedom |
|----------------------------|---|------|-------------------|-----------------------|------------|---------|----------|----------------|-----------------|-------------------|
| Measurement system | | | | | | | | | | |
| 1 | Probe calibration | B | 13 | N | 2 | 1 | 1 | 6.5 | 6.5 | ∞ |
| 2 | Isotropy | B | 7.4 | R | $\sqrt{3}$ | 1 | 1 | 4.3 | 4.3 | ∞ |
| 3 | Boundary effect | B | 2.3 | R | $\sqrt{3}$ | 1 | 1 | 1.3 | 1.3 | ∞ |
| 4 | Linearity | B | 4.7 | R | $\sqrt{3}$ | 1 | 1 | 2.7 | 2.7 | ∞ |
| 5 | Detection limit | B | 1.0 | R | $\sqrt{3}$ | 1 | 1 | 0.6 | 0.6 | ∞ |
| 6 | Readout electronics | B | 1.0 | N | 1 | 1 | 1 | 1.0 | 1.0 | ∞ |
| 7 | Response time | B | 0.0 | R | $\sqrt{3}$ | 1 | 1 | 0.0 | 0.0 | ∞ |
| 8 | Integration time | B | 1.7 | R | $\sqrt{3}$ | 1 | 1 | 1.0 | 1.0 | ∞ |
| 9 | RF ambient conditions-noise | B | 3.0 | R | $\sqrt{3}$ | 1 | 1 | 1.7 | 1.7 | ∞ |
| 10 | RF ambient conditions-reflection | B | 3.0 | R | $\sqrt{3}$ | 1 | 1 | 1.7 | 1.7 | ∞ |
| 11 | Probe positioned mech. Restrictions | B | 0.71 | R | $\sqrt{3}$ | 1 | 1 | 0.4 | 0.4 | ∞ |
| 12 | Probe positioning with respect to phantom shell | B | 5.7 | R | $\sqrt{3}$ | 1 | 1 | 3.3 | 3.3 | ∞ |
| 13 | Post-processing | B | 4.0 | R | $\sqrt{3}$ | 1 | 1 | 2.3 | 2.3 | ∞ |
| 14 | Fast SAR z-Approximation | B | 14.0 | R | $\sqrt{3}$ | 1 | 1 | 8.1 | 8.1 | ∞ |
| Test sample related | | | | | | | | | | |
| 15 | Test sample positioning | A | 3.3 | N | 1 | 1 | 1 | 3.3 | 3.3 | 5 |
| 16 | Device holder uncertainty | A | 3.4 | N | 1 | 1 | 1 | 3.4 | 3.4 | 5 |
| 17 | Drift of output power | B | 5.0 | R | $\sqrt{3}$ | 1 | 1 | 2.9 | 2.9 | ∞ |
| Phantom and set-up | | | | | | | | | | |
| 18 | Phantom uncertainty | B | 1.0 | R | $\sqrt{3}$ | 1 | 1 | 0.6 | 0.6 | ∞ |
| 19 | Liquid conductivity (target) | B | 5.0 | R | $\sqrt{3}$ | 0.64 | 0.43 | 1.8 | 1.2 | ∞ |

| | | | | | | | | | | | |
|--|------------------------------|--|-----|---|------------|------|------|------|------|----------|-----|
| 20 | Liquid conductivity (meas.) | A | 1.3 | N | 1 | 0.64 | 0.43 | 0.83 | 0.56 | 43 | |
| 21 | Liquid permittivity (target) | B | 5.0 | R | $\sqrt{3}$ | 0.6 | 0.49 | 1.7 | 1.4 | ∞ | |
| 22 | Liquid permittivity (meas.) | A | 1.6 | N | 1 | 0.6 | 0.49 | 0.96 | 0.78 | 521 | |
| Combined standard uncertainty | | $u_c = \sqrt{\sum_{i=1}^{22} c_i^2 u_i^2}$ | | | | | | | 13.9 | 13.9 | 257 |
| Expanded uncertainty (Confidence interval of 95 %) | | $u_e = 2u_c$ | | | | | | | 27.8 | 27.7 | |

17 MAIN TEST INSTRUMENTS

Table 17.1: List of Main Instruments

| No. | Name | Type | Serial Number | Calibration Date | Valid Period |
|-----|------------------------------|-----------------|---------------|------------------|--------------|
| 01 | Network analyzer | Agilent E5071C | MY46103759 | 2016-11-19 | One year |
| 02 | Dielectric probe | 85070E | MY44300317 | / | |
| 03 | Power meter | NRP | 102603 | 2017-01-06 | One year |
| 04 | Power sensor | NRP-Z51 | 102211 | | |
| 05 | Signal Generator | E8257D | MY47461211 | 2016-06-15 | One year |
| 06 | Amplifier | VTL5400 | 0404 | / | |
| 07 | DAE | SPEAG DAE4 | 786 | 2016-12-08 | One year |
| 08 | E-field Probe | SPEAG EX3DV4 | 3633 | 2017-01-23 | One year |
| 09 | Dipole Validation Kit | SPEAG D835V2 | 4d057 | 2015-10-22 | Three year |
| 10 | Dipole Validation Kit | SPEAG D1900V2 | 5d088 | 2015-11-04 | Three year |
| 11 | Dipole Validation Kit | SPEAG D2450V2 | 873 | 2015-10-30 | Three year |
| 12 | Dipole Validation Kit | SPEAG D2550V2 | 1010 | 2015-07-24 | Three year |
| 13 | Dipole Validation Kit | SPEAG D5GHzV2 | 1238 | 2016-09-21 | Three year |
| 14 | BTS | E5515C | GB47460389 | 2017-01-06 | One year |
| 15 | Radio Communication Analyzer | Anristu MT8820C | 6201563767 | 2017-01-06 | One year |

END OF REPORT BODY

ANNEX A Graph Results

GSM850 Right Cheek High

Date/Time: 2017-4-24

Electronics: DAE4 Sn786

Medium: Head 835 MHz

Medium parameters used (interpolated): $f = 848.8$ MHz; $\sigma = 0.936$ S/m; $\epsilon_r = 40.704$; $\rho = 1000$ kg/m³

Ambient Temperature: 22.0°C Liquid Temperature: 21.5°C

Communication System: UID 0, GSM (0) Frequency: 848.8 MHz Duty Cycle: 1:8.3

Probe: EX3DV4 - SN3633 ConvF (9.04, 9.04, 9.04);

Right Cheek High/Area Scan (61x121x1): Interpolated grid: dx=1.500 mm, dy=1.500 mm

Maximum value of SAR (interpolated) = 0.388 W/kg

Right Cheek High/Zoom Scan (5x5x7)/Cube 0: Measurement grid: dx=8mm, dy=8mm, dz=5mm

Reference Value = 4.439 V/m; Power Drift = 0.05 dB

Peak SAR (extrapolated) = 0.453 W/kg

SAR(1 g) = 0.366 W/kg; SAR(10 g) = 0.282 W/kg

Maximum value of SAR (measured) = 0.382 W/kg

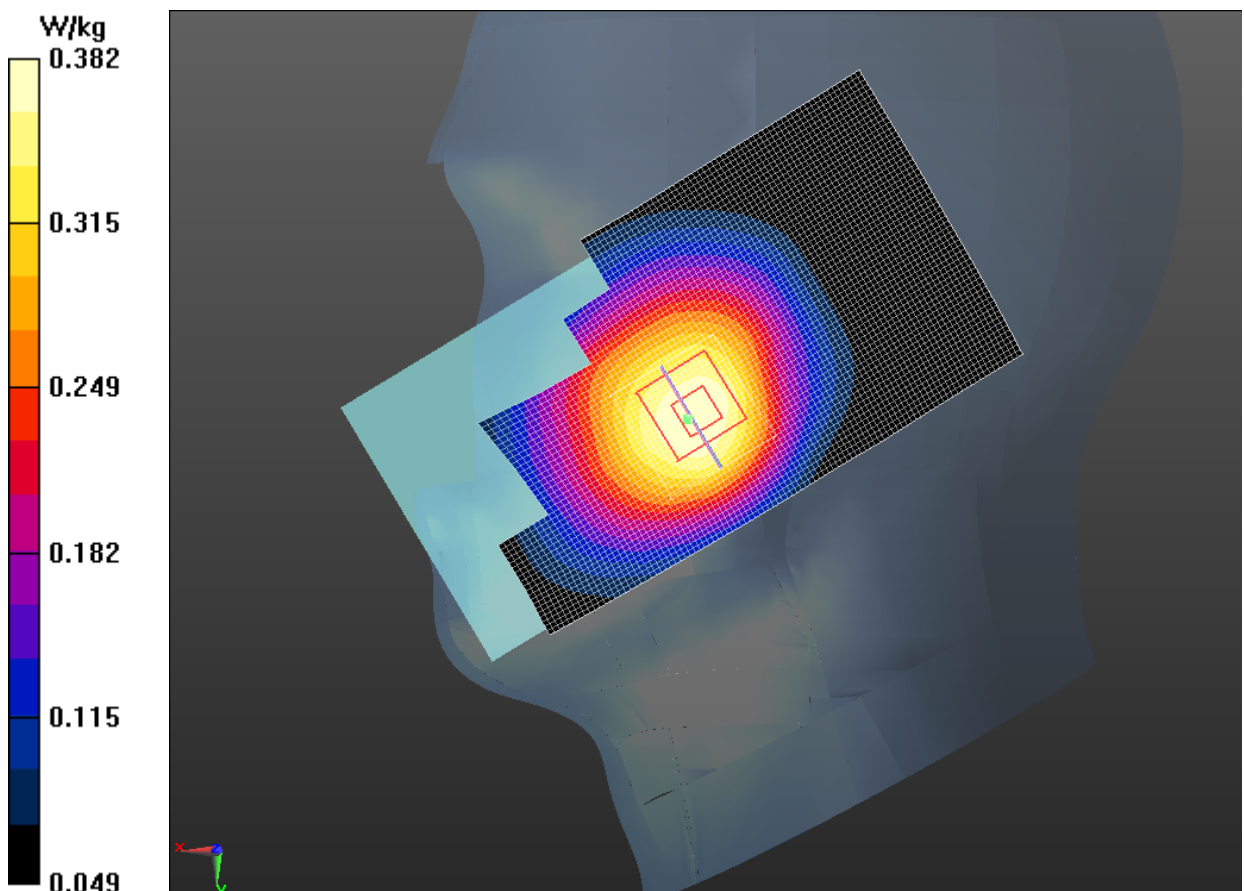


Fig.1 GSM 850MHz