



FCC Test Report

APPLICANT : Doro AB
EQUIPMENT : GSM/WCDMA/LTE Mobile Telephone
BRAND NAME : doro
MODEL NAME : DSB-0010
FCC ID : WS5DSB0010
STANDARD : FCC 47 CFR FCC Part 15 Subpart B
CLASSIFICATION : Certification

The product was received on Mar. 10, 2016 and testing was completed on Jul. 16, 2016. We, SPORTON INTERNATIONAL (KUNSHAN) INC., would like to declare that the tested sample has been evaluated in accordance with the test procedures given in ANSI C63.4-2014 and has been in compliance with the applicable technical standards.

The test results in this report apply exclusively to the tested model / sample. Without written approval of SPORTON INTERNATIONAL (KUNSHAN) INC., the test report shall not be reproduced except in full.

Prepared by: James Huang / Manager

Approved by: Jones Tsai / Manager



Testing Laboratory
2627

SPORTON INTERNATIONAL (KUNSHAN) INC.
No. 3-2, PingXiang Road, Kunshan, Jiangsu Province, P. R. China



TABLE OF CONTENTS

REVISION HISTORY.....3

SUMMARY OF TEST RESULT4

1. GENERAL DESCRIPTION5

 1.1. Applicant.....5

 1.2. Manufacturer5

 1.3. Product Feature of Equipment Under Test5

 1.4. Product Specification subjective to this standard.....6

 1.5. Modification of EUT6

 1.6. Test Location7

 1.7. Applicable Standards7

2. TEST CONFIGURATION OF EQUIPMENT UNDER TEST.....8

 2.1. Test Mode8

 2.2. Connection Diagram of Test System 11

 2.3. Support Unit used in test configuration and system..... 13

 2.4. EUT Operation Test Setup 14

3. TEST RESULT.....15

 3.1. Test of AC Conducted Emission Measurement15

 3.2. Test of Radiated Emission Measurement21

4. LIST OF MEASURING EQUIPMENT25

5. UNCERTAINTY OF EVALUATION26

APPENDIX A. SETUP PHOTOGRAPHS

APPENDIX B. PHOTOGRAPHS OF EUT



REVISION HISTORY

REPORT NO.	VERSION	DESCRIPTION	ISSUED DATE
FC570906-04	Rev. 01	Initial issue of report	Aug. 05, 2016



SUMMARY OF TEST RESULT

Report Section	FCC Rule	Description	Limit	Result	Remark
3.1	15.107	AC Conducted Emission	< 15.107 limits	PASS	Under limit 4.73 dB at 0.160 MHz
3.2	15.109	Radiated Emission	< 15.109 limits	PASS	Under limit 3.89 dB at 480.080 MHz for Quasi-Peak



1. General Description

1.1. Applicant

Doro AB
Magistratsvägen 10 SE-226 43 Lund Sweden

1.2. Manufacturer

BYD PRECISION MFR CO., LTD.
No.3001, Baohe Road, Baolong Industrial, Longgang, Shenzhen, 518116, P.R.China

1.3. Product Feature of Equipment Under Test

Product Feature	
Equipment	GSM/WCDMA/LTE Mobile Telephone
Brand Name	doro
Model Name	DSB-0010
FCC ID	WS5DSB0010
EUT supports Radios application	GSM/GPRS/EGPRS/WCDMA/HSPA/DC-HSDPA/ HSPA+(16QAM uplink is not supported)/LTE WLAN 2.4GHz 802.11b/g/n HT20/ Bluetooth v3.0 + EDR/Bluetooth v4.1 LE
IMEI Code	Conduction: 351512080000630 Radiation: 351512080000630
HW Version	DIVA-V2.1
SW Version	DSB0010_EU_RET_02.16.00_USER_160705
EUT Stage	Identical Prototype

Remark: The above EUT's information was declared by manufacturer. Please refer to the specifications or user's manual for more detailed description.

1.4. Product Specification subjective to this standard

Product Specification subjective to this standard	
Tx Frequency	GSM850 : 824.2 MHz ~ 848.8 MHz GSM1900 : 1850.2 MHz ~ 1909.8MHz WCDMA Band V : 826.4 MHz ~ 846.6 MHz WCDMA Band II : 1852.4 MHz ~ 1907.6 MHz LTE Band 7: 2502.5 MHz ~ 2567.5 MHz 802.11b/g/n: 2412 MHz ~ 2462 MHz Bluetooth: 2402 MHz ~ 2480 MHz
Rx Frequency	GSM850 : 869.2 MHz ~ 893.8 MHz GSM1900 : 1930.2 MHz ~ 1989.8 MHz WCDMA Band V : 871.4 MHz ~ 891.6 MHz WCDMA Band II : 1932.4 MHz ~ 1987.6 MHz LTE Band 7 : 2622.5 MHz ~ 2687.5 MHz 802.11b/g/n: 2412 MHz ~ 2462 MHz Bluetooth: 2402 MHz ~ 2480 MHz GPS : 1.57542 GHz Glonass: 1602 MHz + n × 0.5625MHz (n=-7,-6,-5,...,0,...,6)
Antenna Type	WWAN : PIFA Antenna WLAN : Chipset Antenna Bluetooth : Chipset Antenna GPS/Glonass : Chipset Antenna
Type of Modulation	GSM: GMSK GPRS: GMSK EDGE(MCS 0-4): GMSK / (MCS 5-9): 8PSK WCDMA: QPSK (Uplink) HSDPA/ DC-HSDPA: QPSK (Uplink) HSUPA: QPSK (Uplink) HSPA+: 16QAM (16QAM uplink is not supported) DC-HSDPA: 64QAM LTE: QPSK / 16QAM 802.11b : DSSS (DBPSK / DQPSK / CCK) 802.11g/n : OFDM (BPSK / QPSK / 16QAM / 64QAM) Bluetooth LE : GFSK Bluetooth (1Mbps) : GFSK Bluetooth (2Mbps) : $\pi/4$ -DQPSK Bluetooth (3Mbps) : 8-DPSK GPS/Glonass : BPSK

1.5. Modification of EUT

No modifications are made to the EUT during all test items.



1.6. Test Location

Test Site	SPORTON INTERNATIONAL (KUNSHAN) INC.		
Test Site Location	No. 3-2, PingXiang Road, Kunshan, Jiangsu Province, P. R. China TEL: +86-0512-5790-0158 FAX: +86-0512-5790-0958		
Test Site No.	Sporton Site No.		FCC Registration No.
	CO01-KS	03CH02-KS	418269

1.7. Applicable Standards

According to the specifications of the manufacturer, the EUT must comply with the requirements of the following standards:

- ♦ FCC 47 CFR FCC Part 15 Subpart B
- ♦ ANSI C63.4-2014

Remark: All test items were verified and recorded according to the standards and without any deviation during the test.



2. Test Configuration of Equipment Under Test

2.1. Test Mode

The EUT has been associated with peripherals pursuant to ANSI C63.4-2014 and configuration operated in a manner tended to maximize its emission characteristics in a typical application.

Frequency range investigated: conduction (150 kHz to 30 MHz), radiation (30MHz to the 5th harmonic of the highest fundamental frequency or to 40 GHz, whichever is lower).

The following tables are showing the test modes as the worst cases and recorded in this report.

Item	EUT Configuration	Test Condition		
		EMI AC	EMI RE<1G	EMI RE≥1G
1.	Charging Mode (EUT with adapter)	☒	☒	Note 1
2.	Data application transferred mode (EUT connected with notebook)	☒	☒	☒

Abbreviations:

- EMI AC: AC conducted emissions
- EMI RE ≥ 1G: EUT radiated emissions ≥ 1GHz
- EMI RE < 1G: EUT radiated emissions < 1GHz

Note 1: Testing for this mode is not required or not the worst case.

Remark: For signal above 1GHz, the worst case was test item 2.



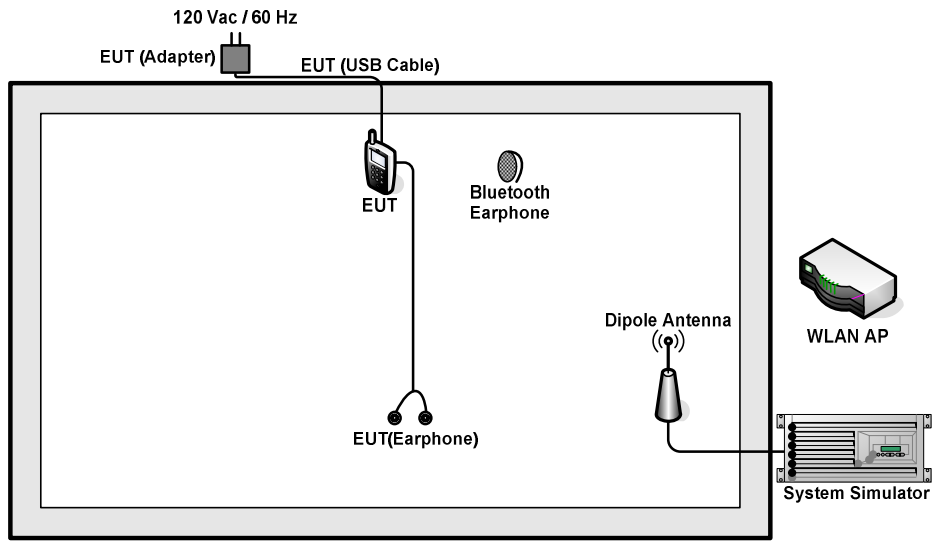
Test Items	EUT Configure Mode	Function Type
AC Conducted Emission	1/2	<p>Mode 1: GSM850 Idle + Bluetooth Idle + WLAN Idle + USB Cable 1(Charging from Adapter 1) + Earphone + Camera<Fig.1></p> <p>Mode 2: GSM1900 Idle + Bluetooth Idle + WLAN Idle + USB Cable 2(Charging from Adapter 2) + Earphone + MPEG4 + Cradle<Fig.2></p> <p>Mode 3: WCDMA Band V Idle + Bluetooth Idle + WLAN Idle + USB Cable 1(Charging from Adapter 3) + Earphone + GPS Rx<Fig.3></p> <p>Mode 4: WCDMA Band II Idle + Bluetooth Idle + WLAN Idle + USB Cable 1(Charging from Adapter 4) + Earphone + Glonass Rx<Fig.3></p> <p>Mode 5: LTE Band 7 Idle + Bluetooth Idle + WLAN Idle + USB Cable 1(Data Link with Notebook) + Earphone + GPS Rx<Fig.4></p> <p>Mode 6: LTE Band 7 Idle + Bluetooth Idle + WLAN Idle + USB Cable 2(Data Link with Notebook) + Earphone + Glonass Rx<Fig.4></p> <p>Mode 7: GSM850 Idle + Bluetooth Idle + WLAN Idle + USB Cable 1(Charging from Adapter 5) + Earphone + Camera<Fig.1></p>
Radiated Emissions < 1GHz	1/2	<p>Mode 1: GSM850 Idle + Bluetooth Idle + WLAN Idle + USB Cable 1(Charging from Adapter 1) + Earphone + Camera<Fig.1></p> <p>Mode 2: GSM1900 Idle + Bluetooth Idle + WLAN Idle + USB Cable 2(Charging from Adapter 2) + Earphone + MPEG4 + Cradle<Fig.2></p> <p>Mode 3: WCDMA Band V Idle + Bluetooth Idle + WLAN Idle + USB Cable 1(Charging from Adapter 3) + Earphone + GPS Rx<Fig.3></p> <p>Mode 4: WCDMA Band II Idle + Bluetooth Idle + WLAN Idle + USB Cable 1(Charging from Adapter 4) + Earphone + Glonass Rx<Fig.3></p> <p>Mode 5: LTE Band 7 Idle + Bluetooth Idle + WLAN Idle + USB Cable 1(Data Link with Notebook) + Earphone + GPS Rx<Fig.4></p> <p>Mode 6: LTE Band 7 Idle + Bluetooth Idle + WLAN Idle + USB Cable 2(Data Link with Notebook) + Earphone + Glonass Rx<Fig.4></p> <p>Mode 7 : GSM850 Idle + Bluetooth Idle + WLAN Idle + USB Cable 1(Charging from Adapter 5) + Earphone + Camera<Fig.1></p>
Radiated Emissions ≥ 1GHz	2	<p>Mode 1: LTE Band 7 Idle + Bluetooth Idle + WLAN Idle + USB Cable 2(Data Link with Notebook) + Earphone + Glonass Rx<Fig.4></p>



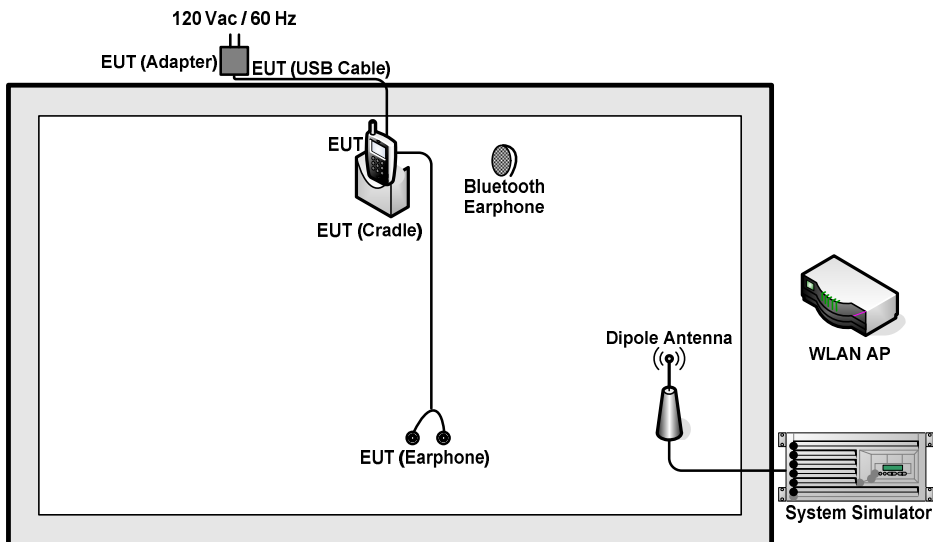
Remark:

1. The worst case of AC is mode 7 and the USB Link worse mode of AC is mode 6, the test data of these modes were reported.
2. The worst case of RE < 1G is mode 6; only the test data of this mode was reported.
3. Link with Notebook means data application transferred mode between EUT and Notebook.

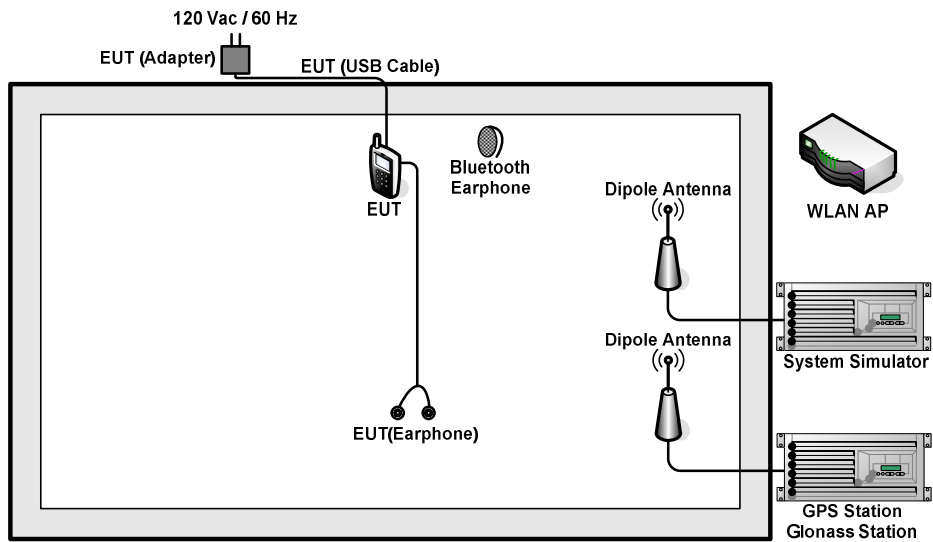
2.2. Connection Diagram of Test System



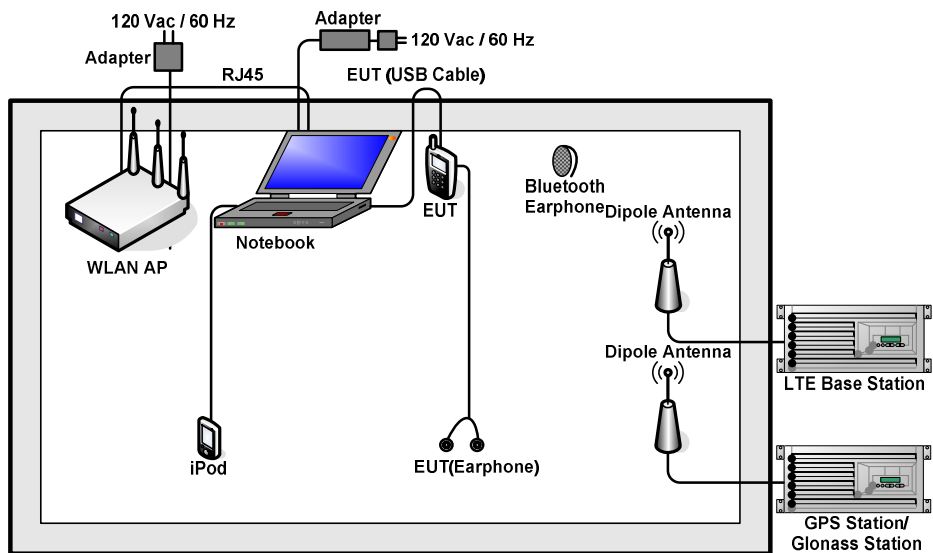
<Fig.1>



<Fig.2>



<Fig.3>



<Fig.4>



2.3. Support Unit used in test configuration and system

Item	Equipment	Trade Name	Model Name	FCC ID	Data Cable	Power Cord
1.	System Simulator	R&S	CMU 200	N/A	N/A	Unshielded, 1.8 m
2.	LTE Base Station	Anritsu	MT8820C	N/A	N/A	Unshielded, 1.8 m
3.	GPS Station	ADIVIC	MP9000	N/A	N/A	Unshielded, 1.8m
4.	Glomass Station	RACELOGIC	RLLS03-2RP	N/A	N/A	Unshielded, 1.8 m
5.	WLAN AP	D-Link	DIR-855	KA2DIR855A2	N/A	Unshielded, 1.8m
6.	WLAN AP	LINKSYS	WRT600N	Q87-WRT600NV11	N/A	Unshielded, 1.8m
7.	Notebook	G480	PRC4	N/A	N/A	AC I/P: Unshielded, 1.8 m DC O/P: Shielded, 1.8 m
8.	Notebook	Dell	Latitude3440	N/A	N/A	AC I/P: Unshielded, 1.8 m DC O/P: Shielded, 1.8 m
9.	Bluetooth Earphone	Lenovo	LBH301	N/A	N/A	N/A
10.	Bluetooth Earphone	Nokia	BH-106	QTLBH-106	N/A	N/A
11.	SD Card	Kingston	4GB	N/A	N/A	N/A
12.	SD Card	SanDisk	Uitra	N/A	N/A	N/A
13.	iPod	Apple	A1199	FCC DoC	Shielded, 1.0m	N/A



2.4. EUT Operation Test Setup

The EUT was in GSM or WCDMA or LTE idle mode during the testing. The EUT was synchronized to the BCCH, and was in continuous receiving mode by setting system simulator's paging reorganization.

At the same time, the EUT was attached to the Bluetooth earphone or WLAN AP, and the following programs installed in the EUT were programmed during the test.

1. Data application is transferred between Notebook and EUT via USB cable.
2. Execute "GPS test" to make the EUT receive continuous signals from GPS/Glonass station.
3. Execute "Video player" to play MPEG4 files.
4. Turn on camera to capture images.



3. Test Result

3.1. Test of AC Conducted Emission Measurement

3.1.1 Limits of AC Conducted Emission

For equipment that is designed to be connected to the public utility (AC) power line, the radio frequency voltage that is conducted back onto the AC power line on any frequency or frequencies within the band 150 kHz to 30 MHz shall not exceed the limits in the following table.

Frequency of emission (MHz)	Conducted limit (dBuV)	
	Quasi-peak	Average
0.15-0.5	66 to 56*	56 to 46*
0.5-5	56	46
5-30	60	50

*Decreases with the logarithm of the frequency.

3.1.2 Measuring Instruments

The measuring equipment is listed in the section 4 of this test report.

3.1.3 Test Procedure

1. The EUT was placed 0.4 meter from the conducting wall of the shielding room was kept at least 80 centimeters from any other grounded conducting surface.
2. Connect EUT to the power mains through a line impedance stabilization network (LISN).
3. All the support units are connecting to the other LISN.
4. The LISN provides 50 ohm coupling impedance for the measuring instrument.
5. The FCC states that a 50 ohm, 50 microhenry LISN should be used.
6. Both sides of AC line were checked for maximum conducted interference.
7. The frequency range from 150 kHz to 30 MHz was searched.
8. Set the test-receiver system to Peak Detect Function and specified bandwidth (IF Bandwidth = 9kHz) with Maximum Hold Mode. Then measurement is also conducted by Average Detector and Quasi-Peak Detector Function respectively.

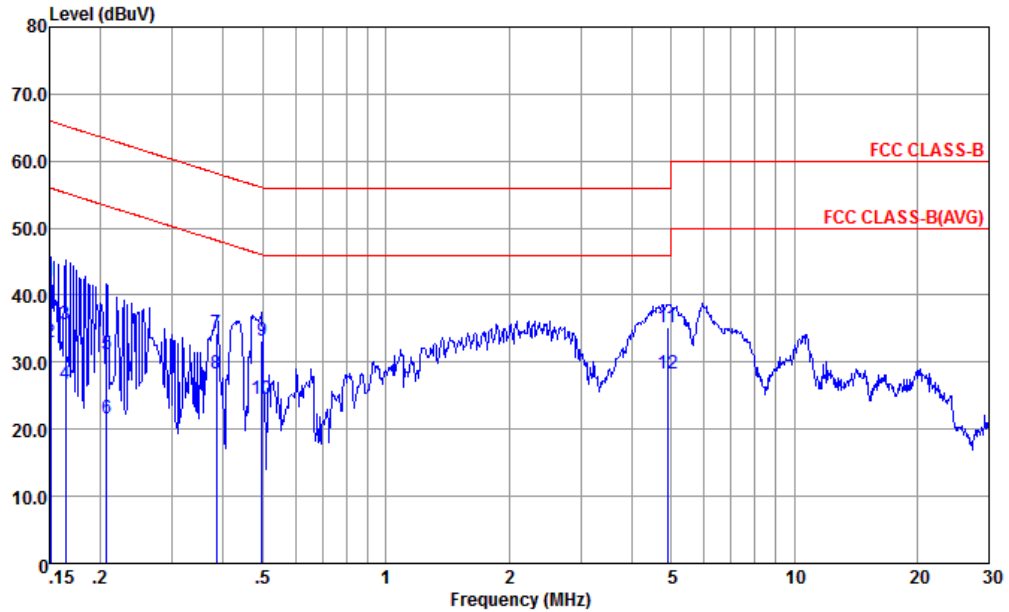
3.1.4 Test Setup





3.1.5 Test Result of AC Conducted Emission

Test Mode :	Mode 6	Temperature :	22~24°C
Test Engineer :	Amos Zhang	Relative Humidity :	44~47%
Test Voltage :	120Vac / 60Hz	Phase :	Line
Function Type :	LTE Band 7 Idle + Bluetooth Idle + WLAN Idle + USB Cable 2(Data Link with Notebook) + Earphone + Glonass Rx		



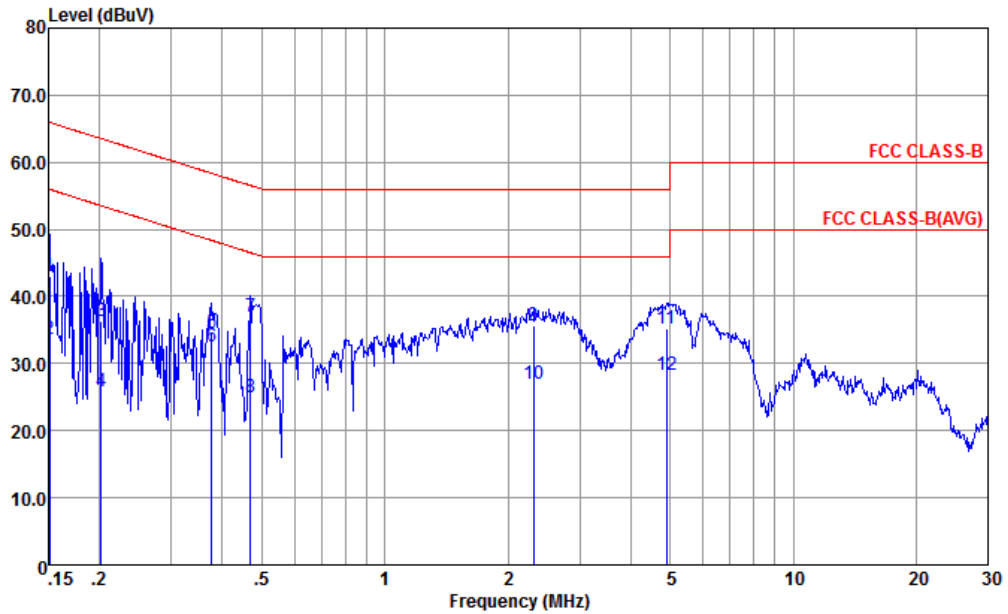
Site : CO01-KS
 Condition : FCC CLASS-B LISN-L20140306 LINE

mode : Mode 6

	Freq	Level	Over	Limit	Read	LISN	Cable	Remark
	MHz	dBuV	Limit	Line	Level	Factor	Loss	
			dB	dBuV	dBuV	dB	dB	
1	0.15	42.11	-23.85	65.96	29.80	1.94	10.37	QP
2	0.15	32.91	-23.05	55.96	20.60	1.94	10.37	Average
3	0.16	35.60	-29.65	65.25	23.50	1.70	10.40	QP
4	0.16	26.70	-28.55	55.25	14.60	1.70	10.40	Average
5	0.21	31.29	-32.03	63.32	19.81	0.98	10.50	QP
6	0.21	21.69	-31.63	53.32	10.21	0.98	10.50	Average
7	0.39	34.26	-23.91	58.17	23.29	0.35	10.62	QP
8	0.39	28.32	-19.85	48.17	17.35	0.35	10.62	Average
9	0.50	33.13	-22.92	56.05	22.31	0.20	10.62	QP
10	0.50	24.43	-21.62	46.05	13.61	0.20	10.62	Average
11	4.90	35.15	-20.85	56.00	24.10	0.20	10.85	QP
12 *	4.90	28.35	-17.65	46.00	17.30	0.20	10.85	Average



Test Mode :	Mode 6	Temperature :	22~24°C
Test Engineer :	Amos Zhang	Relative Humidity :	44~47%
Test Voltage :	120Vac / 60Hz	Phase :	Neutral
Function Type :	LTE Band 7 Idle + Bluetooth Idle + WLAN Idle + USB Cable 2(Data Link with Notebook) + Earphone + Glonass Rx		



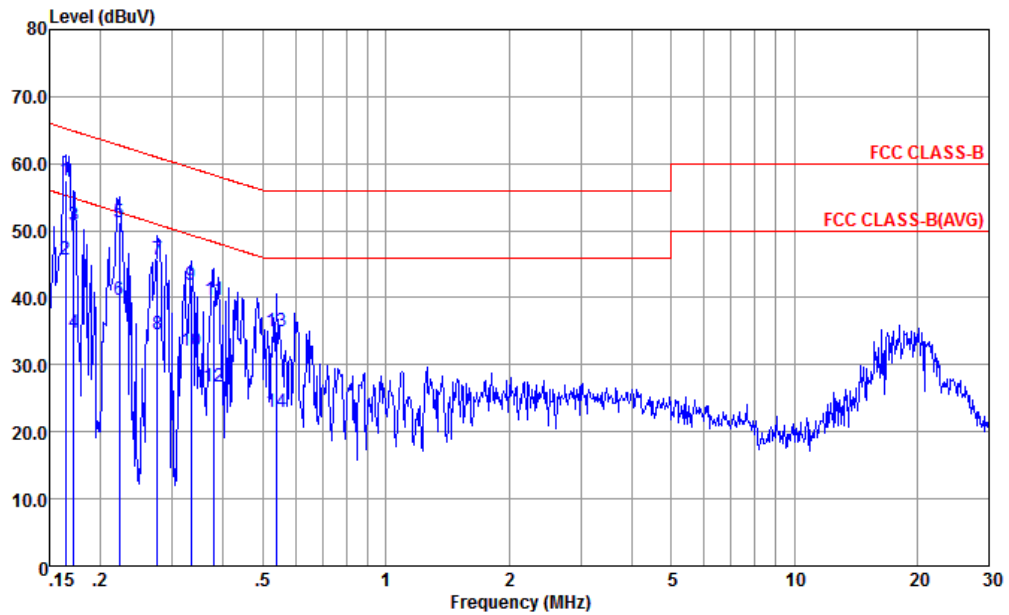
Site : CO01-KS
 Condition : FCC CLASS-B LISN-N20140306 NEUTRAL

mode : Mode 6

	Freq	Level	Over	Limit	Read	LISN	Cable	Remark
	MHz	dBuV	Limit	Line	Level	Factor	Loss	
			dB	dBuV	dBuV	dB	dB	
1	0.15	42.96	-23.00	65.96	30.70	1.89	10.37	QP
2	0.15	33.56	-22.40	55.96	21.30	1.89	10.37	Average
3	0.20	36.30	-27.24	63.54	24.80	1.00	10.50	QP
4	0.20	25.90	-27.64	53.54	14.40	1.00	10.50	Average
5	0.38	34.56	-23.78	58.34	23.51	0.44	10.61	QP
6 *	0.38	32.46	-15.88	48.34	21.41	0.44	10.61	Average
7	0.47	37.05	-19.49	56.54	26.11	0.32	10.62	QP
8	0.47	24.85	-21.69	46.54	13.91	0.32	10.62	Average
9	2.31	35.73	-20.27	56.00	24.90	0.11	10.72	QP
10	2.31	26.93	-19.07	46.00	16.10	0.11	10.72	Average
11	4.90	35.15	-20.85	56.00	24.10	0.20	10.85	QP
12	4.90	28.25	-17.75	46.00	17.20	0.20	10.85	Average



Test Mode :	Mode 7	Temperature :	22~24°C
Test Engineer :	Amos Zhang	Relative Humidity :	44~47%
Test Voltage :	120Vac / 60Hz	Phase :	Line
Function Type :	GSM850 Idle + Bluetooth Idle + WLAN Idle + USB Cable 1(Charging from Adapter 5) + Earphone + Camera		



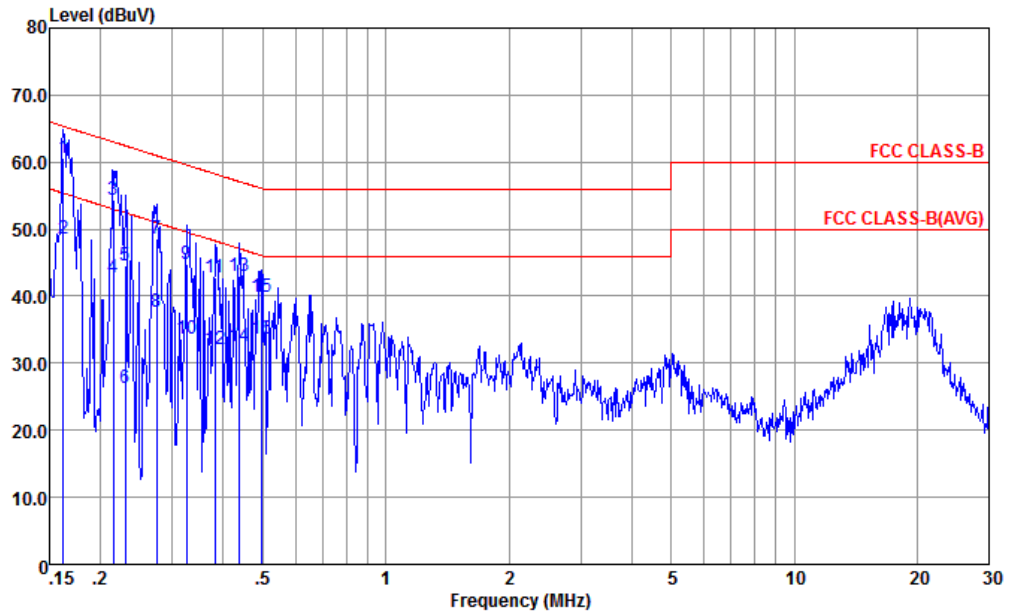
Site : CO01-KS
 Condition : FCC CLASS-B LISN-L-20151024 LINE
 Project : (FC) 570906-01

: 351512080000630 #19

	Freq	Level	Over Limit	Limit Line	Read Level	LISN Factor	Cable Loss	Remark
	MHz	dBuV	dB	dBuV	dBuV	dB	dB	
1 *	0.16	57.44	-7.81	65.25	46.90	0.43	10.11	QP
2	0.16	45.74	-9.51	55.25	35.20	0.43	10.11	Average
3	0.17	50.80	-14.06	64.86	40.30	0.38	10.12	QP
4	0.17	34.80	-20.06	54.86	24.30	0.38	10.12	Average
5	0.22	51.25	-11.49	62.74	40.90	0.22	10.13	QP
6	0.22	39.65	-13.09	52.74	29.30	0.22	10.13	Average
7	0.28	45.67	-15.27	60.94	35.31	0.22	10.14	QP
8	0.28	34.57	-16.37	50.94	24.21	0.22	10.14	Average
9	0.33	41.98	-17.37	59.35	31.59	0.23	10.16	QP
10	0.33	31.98	-17.37	49.35	21.59	0.23	10.16	Average
11	0.38	39.70	-18.60	58.30	29.30	0.23	10.17	QP
12	0.38	26.70	-21.60	48.30	16.30	0.23	10.17	Average
13	0.54	34.99	-21.01	56.00	24.60	0.23	10.16	QP
14	0.54	22.89	-23.11	46.00	12.50	0.23	10.16	Average



Test Mode :	Mode 7	Temperature :	22~24°C
Test Engineer :	Amos Zhang	Relative Humidity :	44~47%
Test Voltage :	120Vac / 60Hz	Phase :	Neutral
Function Type :	GSM850 Idle + Bluetooth Idle + WLAN Idle + USB Cable 1(Charging from Adapter 5) + Earphone + Camera		



Site : CO01-KS
 Condition : FCC CLASS-B LISN-N-20151024 NEUTRAL
 Project : (FC) 570906-01

: 351512080000630 #19

	Over	Limit	Read	LISN	Cable	
Freq	Level	Limit	Level	Factor	Loss	Remark
MHz	dBuV	dB	dBuV	dB	dB	
1 *	0.16 60.61	-4.73	65.34	50.20	0.30	10.11 QP
2	0.16 48.61	-6.73	55.34	38.20	0.30	10.11 Average
3	0.22 54.34	-8.67	63.01	43.90	0.31	10.13 QP
4	0.22 42.74	-10.27	53.01	32.30	0.31	10.13 Average
5	0.23 44.65	-17.79	62.44	34.20	0.31	10.14 QP
6	0.23 26.35	-26.09	52.44	15.90	0.31	10.14 Average
7	0.27 48.56	-12.42	60.98	38.11	0.31	10.14 QP
8	0.27 37.56	-13.42	50.98	27.11	0.31	10.14 Average
9	0.33 44.77	-14.80	59.57	34.29	0.32	10.16 QP
10	0.33 33.67	-15.90	49.57	23.19	0.32	10.16 Average
11	0.38 42.69	-15.56	58.25	32.20	0.32	10.17 QP
12	0.38 32.09	-16.16	48.25	21.60	0.32	10.17 Average
13	0.44 42.99	-14.12	57.11	32.50	0.32	10.17 QP
14	0.44 32.59	-14.52	47.11	22.10	0.32	10.17 Average
15	0.50 39.78	-16.27	56.05	29.30	0.32	10.16 QP
16	0.50 33.68	-12.37	46.05	23.20	0.32	10.16 Average

3.2. Test of Radiated Emission Measurement

3.2.1. Limit of Radiated Emission

The emissions from an unintentional radiator shall not exceed the field strength levels specified in the following table:

Frequency (MHz)	Field Strength (microvolts/meter)	Measurement Distance (meters)
30 – 88	100	3
88 – 216	150	3
216 - 960	200	3
Above 960	500	3

3.2.2. Measuring Instruments

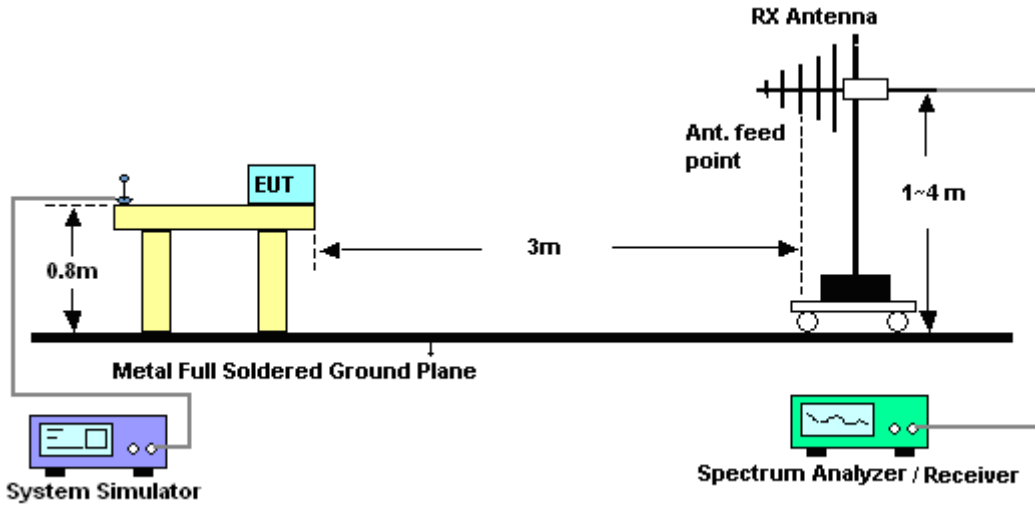
The measuring equipment is listed in the section 4 of this test report.

3.2.3. Test Procedures

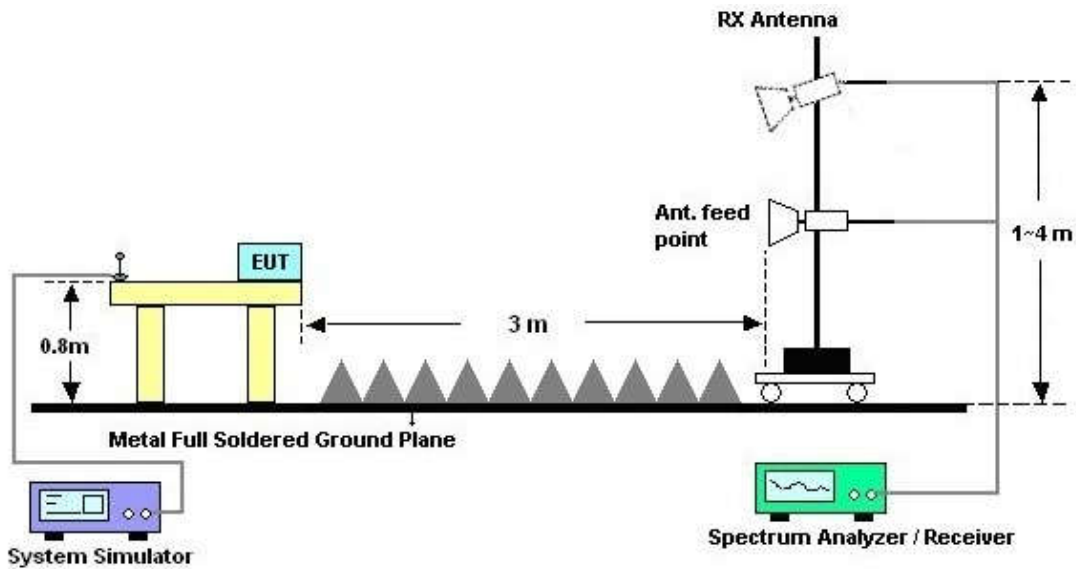
1. The EUT was placed on a turntable with 0.8 meter above ground.
2. The EUT was set 3 meters from the interference receiving antenna, which was mounted on the top of a variable height antenna tower.
3. The table was rotated 360 degrees to determine the position of the highest radiation.
4. The antenna is a Bi-Log antenna and its height is adjusted between one to four meters above ground to find the maximum value of the field strength for both horizontal polarization and vertical polarization of the antenna.
5. For each suspected emission, the EUT was arranged to its worst case and then tune the antenna tower (from 1 m to 4 m) and turntable (from 0 degree to 360 degrees) to find the maximum reading.
6. Set the test-receiver system to Peak Detect Function and specified bandwidth with Maximum Hold Mode (RBW=120kHz/VBW=300kHz for frequency below 1GHz; RBW=1MHz VBW=3MHz (Peak), RBW=1MHz/VBW=10Hz (Average) for frequency above 1GHz).
7. If the emission level of the EUT in peak mode was 3 dB lower than the limit specified, peak values of EUT will be reported. Otherwise, the emission will be repeated by using the quasi-peak method and reported.
8. Emission level (dB μ V/m) = 20 log Emission level (μ V/m)
9. Corrected Reading: Antenna Factor + Cable Loss + Read Level - Preamp Factor = Level

3.2.4. Test Setup of Radiated Emission

For radiated emissions from 30MHz to 1GHz



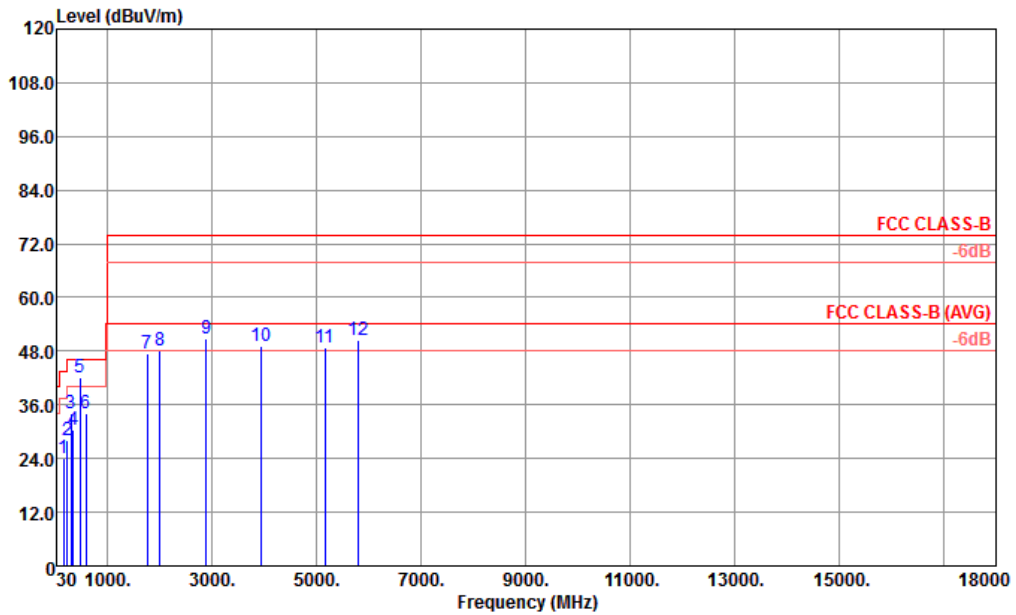
For radiated emissions above 1GHz





3.2.5. Test Result of Radiated Emission

Test Mode :	Mode 6	Temperature :	24~27°C
Test Engineer :	Carl Ni	Relative Humidity :	53~56%
Test Distance :	3m	Polarization :	Horizontal
Function Type :	LTE Band 7 Idle + Bluetooth Idle + WLAN Idle + USB Cable 2(Data Link with Notebook) + Earphone + Glonass Rx		



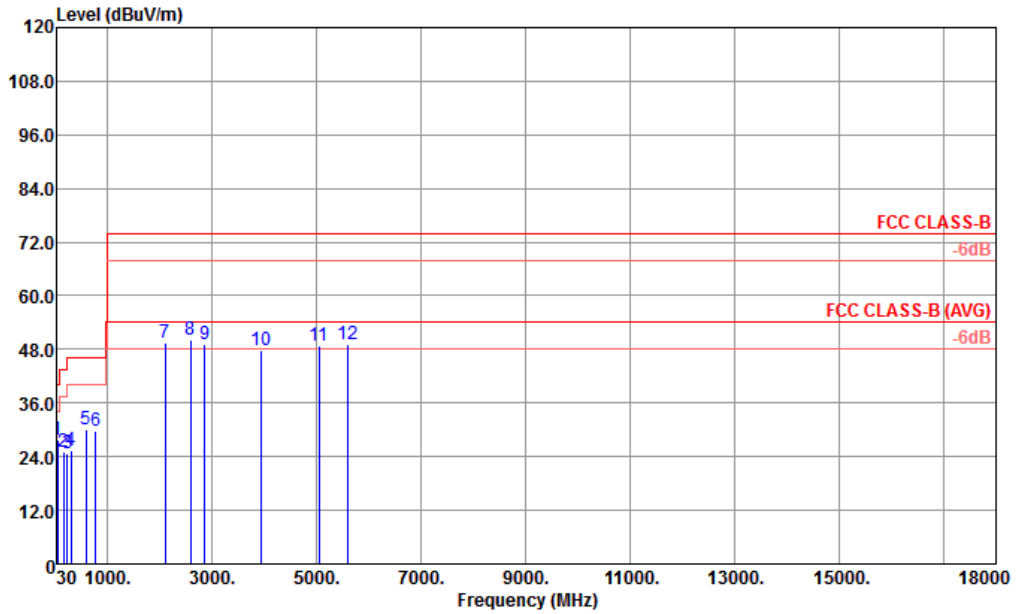
Site : 03CH02-KS
 Condition : FCC CLASS-B 3m LF_ANT_37879 HORIZONTAL

Mode : 6

	Freq	Level	Over Limit	Limit Line	ReadAntenna Level	Antenna Factor	Cable Loss	Preamp Factor	A/Pos	T/Pos	Remark	Pol/Phas
	MHz	dBuV/m	dB	dBuV/m	dBuV	dB/m	dB	dB	cm	deg		
1	165.80	24.10	-19.40	43.50	43.31	11.10	2.13	32.44	---	---	Peak	HORIZONTAL
2	240.49	28.20	-17.80	46.00	46.51	11.66	2.51	32.48	---	---	Peak	HORIZONTAL
3	314.21	34.03	-11.97	46.00	49.80	13.58	2.94	32.29	---	---	Peak	HORIZONTAL
4	345.25	30.42	-15.58	46.00	44.77	14.81	3.01	32.17	---	---	Peak	HORIZONTAL
5	480.08	42.11	-3.89	46.00	53.48	17.18	3.68	32.23	100	351	QP	HORIZONTAL
6	598.42	34.15	-11.85	46.00	42.97	18.80	4.18	31.80	---	---	Peak	HORIZONTAL
7	1760.00	47.40	-26.60	74.00	47.01	29.23	5.26	34.10	---	---	Peak	HORIZONTAL
8	2012.00	48.22	-25.78	74.00	44.61	30.82	5.69	32.90	---	---	Peak	HORIZONTAL
9	2898.00	50.70	-23.30	74.00	40.96	32.60	6.81	29.67	---	---	Peak	HORIZONTAL
10	3957.00	49.30	-24.70	74.00	36.26	34.49	8.44	29.89	---	---	Peak	HORIZONTAL
11	5163.00	48.91	-25.09	74.00	38.75	35.05	9.01	33.90	---	---	Peak	HORIZONTAL
12	5799.00	50.38	-23.62	74.00	41.00	35.34	9.70	35.66	---	---	Peak	HORIZONTAL



Test Mode :	Mode 6	Temperature :	24~27°C
Test Engineer :	Carl Ni	Relative Humidity :	53~56%
Test Distance :	3m	Polarization :	Vertical
Function Type :	LTE Band 7 Idle + Bluetooth Idle + WLAN Idle + USB Cable 2(Data Link with Notebook) + Earphone + Glonass Rx		



Site : 03CHO2-KS
 Condition : FCC CLASS-B 3m LF_ANT_37879 VERTICAL

Mode : 6

	Freq	Level	Over Limit	Limit Line	ReadAntenna Level	Cable Factor	Preamp Loss	A/Pos	T/Pos	Remark	Pol/Phas
	MHz	dBuV/m	dB	dBuV/m	dBuV	dB/m	dB	cm	deg		
1	48.43	27.81	-12.19	40.00	49.51	9.72	1.11 32.53	162	257	Peak	VERTICAL
2	165.80	24.95	-18.55	43.50	44.16	11.10	2.13 32.44	---	---	Peak	VERTICAL
3	239.52	24.66	-21.34	46.00	43.00	11.61	2.51 32.46	---	---	Peak	VERTICAL
4	314.21	25.32	-20.68	46.00	41.09	13.58	2.94 32.29	---	---	Peak	VERTICAL
5	598.42	30.24	-15.76	46.00	39.06	18.80	4.18 31.80	---	---	Peak	VERTICAL
6	776.90	29.88	-16.12	46.00	36.56	20.25	4.79 31.72	---	---	Peak	VERTICAL
7	2110.00	49.45	-24.55	74.00	45.02	30.95	5.80 32.32	---	---	Peak	VERTICAL
8	2592.00	50.10	-23.90	74.00	42.52	31.69	6.43 30.54	---	---	Peak	VERTICAL
9	2862.00	48.98	-25.02	74.00	39.28	32.53	6.77 29.60	---	---	Peak	VERTICAL
10	3945.00	47.90	-26.10	74.00	34.84	34.46	8.44 29.84	---	---	Peak	VERTICAL
11	5058.00	48.73	-25.27	74.00	38.37	35.02	8.93 33.59	---	---	Peak	VERTICAL
12	5607.00	49.05	-24.95	74.00	39.60	35.19	9.51 35.25	---	---	Peak	VERTICAL



4. List of Measuring Equipment

Instrument	Manufacturer	Model No.	Serial No.	Characteristics	Calibration Date	Test Date	Due Date	Remark
EMI Receiver	R&S	ESC17	100768	9kHz~7GHz;	Apr. 29, 2016	Jul. 15, 2016	Apr. 28, 2017	Conduction (CO01-KS)
AC LISN	MessTec	AN3016	060103	9kHz~30MHz	Oct. 24, 2015	Jul. 15, 2016	Oct. 23, 2016	Conduction (CO01-KS)
AC LISN (for auxiliary equipment)	MessTec	AN3016	060105	9kHz~30MHz	Oct. 24, 2015	Jul. 15, 2016	Oct. 23, 2016	Conduction (CO01-KS)
AC Power Source	Chroma	61602	ABP0000008 11	AC 0V~300V, 45Hz~1000Hz	Oct. 24, 2015	Jul. 15, 2016	Oct. 23, 2016	Conduction (CO01-KS)
EMI Test Receiver	R&S	ESR7	101403	9kHz~7GHz; Max 30dBm	Sep. 10, 2015	Jul. 16, 2016	Sep. 09, 2016	Radiation (03CH02-KS)
EXA Spectrum Analyzer	Keysight	N9010A	MY55150208	10Hz~44GHz; Max 30dB	Apr. 22, 2016	Jul. 16, 2016	Apr. 21, 2017	Radiation (03CH02-KS)
Bilog Antenna	TeseQ	CBL6112D	37879	30MHz~2GHz	Sep. 12, 2015	Jul. 16, 2016	Sep. 11, 2016	Radiation (03CH02-KS)
Double Ridge Horn Antenna	ETS-Lindgren	3117	75957	1GHz~18GHz	Nov. 07, 2015	Jul. 16, 2016	Nov. 06, 2016	Radiation (03CH02-KS)
SHF-EHF Horn	Schwarzbeck	BBHA 9170	BBHA170249	15GHz~40GHz	Mar. 03, 2016	Jul. 16, 2016	Mar. 02, 2017	Radiation (03CH02-KS)
Amplifier	com-power	PA-103A	161069	1kHz~1000MHz / 32 dB	Apr. 22, 2016	Jul. 16, 2016	Apr. 21, 2017	Radiation (03CH02-KS)
High Gain Amplifier	MITEQ	AMF-7D-0010 1800-30-10P	1865802	1GHz~18GHz	Jan. 20, 2016	Jul. 16, 2016	Jan. 19, 2017	Radiation (03CH02-KS)
Amplifier	Agilent	8449B	3008A02384	1GHz~26.5GHz	Oct. 24, 2015	Jul. 16, 2016	Oct. 23, 2016	Radiation (03CH02-KS)
Amplifier	MITEQ	TTA1840-35-H G	1887435	18GHz~40GHz	Jan. 20, 2016	Jul. 16, 2016	Jan. 19, 2017	Radiation (03CH02-KS)
AC Power Source	Chroma	61601	61601000247 3	N/A	NCR	Jul. 16, 2016	NCR	Radiation (03CH02-KS)



5. Uncertainty of Evaluation

Uncertainty of Conducted Emission Measurement (150 kHz ~ 30 MHz)

Measuring Uncertainty for a Level of Confidence of 95% ($U = 2Uc(y)$)	2.3dB
---	-------

Uncertainty of Radiated Emission Measurement (30 MHz ~ 1000 MHz)

Measuring Uncertainty for a Level of Confidence of 95% ($U = 2Uc(y)$)	5.1dB
---	-------

Uncertainty of Radiated Emission Measurement (1GHz ~ 18GHz)

Measuring Uncertainty for a Level of Confidence of 95% ($U = 2Uc(y)$)	4.5dB
---	-------



Appendix B. Photographs of EUT

Please refer to Sporton report number EP570906-04 which is issued separately.