



a module solution provider

**WS2116-A0**

**WS2116-F0**

**Ultralow Power Sub-1GHz and BLE Wireless MCU Module  
STM S2-LP with PA & BlueNRG-2 Solution**

**Datasheet**

**Draft 0.2**

Prepared By	Reviewed By	Approved By

## Index

<b>1. OVERVIEW .....</b>	<b>3</b>
1.1. GENERAL FEATURES .....	3
1.2. MODELS FUNCTIONAL BLOCKS .....	3
<b>2. FUNCTIONAL FEATURES .....</b>	<b>4</b>
2.1. MODULE BLOCK DIAGRAM .....	4
2.2. BLOCK FUNCTIONAL FEATURE .....	5
<i>BlueNRG-2: Bluetooth low energy wireless SOC</i> .....	5
<i>S2-LP: Sub-1Ghz transceiver</i> .....	5
<i>SKY66420-11: Sub-1GHz RF Front-End Module</i> .....	6
<i>STSAFE-A1SX: Secure Element ( WS2116-F0 only )</i> .....	6
<b>3. MODULE OUTLINE .....</b>	<b>7</b>
3.1. SIGNAL LAYOUT (TOP VIEW) .....	7
3.2. PIN DESCRIPTION .....	8
<b>4. MODULE SPECIFICATIONS .....</b>	<b>11</b>
4.1. ABSOLUTE MAXIMUM RATINGS .....	11
4.2. ESD RATINGS .....	11
4.3. RECOMMENDED OPERATING CONDITIONS .....	11
4.4. POWER CONSUMPTION SUMMARY .....	12
4.5. 2.4GHZ GFSK (BLUETOOTH LOW ENERGY) RF CHARACTERISTICS .....	13
4.6. SUB-1GHZ RF CHARACTERISTICS .....	13
4.7. INTERNAL 16-MHZ CRYSTAL OSCILLATOR ( FOR BLUENRG-2 ) .....	14
4.8. INTERNAL 32.768-KHZ CRYSTAL OSCILLATOR ( FOR BLUENRG-2 ) .....	14
4.9. INTERNAL 50MHZ CRYSTAL OSCILLATOR ( FOR S2-LP ) .....	15
4.10. BLUENRG-2 DIGITAL I/O SPECIFICATIONS .....	15
4.11. S2-LP DIGITAL INTERFACE SPECIFICATION .....	16
4.12. SKY66420-11 ELECTRICAL SPECIFICATIONS: CONTROL LOGIC CHARACTERISTICS <sup>1</sup> .....	16
4.13. SKY66420-11 ELECTRICAL SPECIFICATIONS: MODE CONTROL LOGIC .....	16
4.14. SKY66420-11 GAIN VS. POUT .....	17
4.15. SKY66420-11 CURRENT VS. POUT .....	17
4.16. MORE CHARACTERISTICS .....	17
<b>5. DESIGN RECOMMENDATIONS .....</b>	<b>18</b>
5.1. GPIO USAGE OF BLUENRG-2 .....	18

5.2. DEBUG PORT .....	19
5.3. ANTENNA SELECTION GUIDE.....	19
<b>6. PACKAGE INFORMATION .....</b>	<b>20</b>
6.1. MODULE MECHANICAL OUTLINE.....	20
6.2. PACKAGE MARKING .....	22
<b>7. SMT AND BAKING RECOMMENDATION .....</b>	<b>23</b>
7.1. BAKING RECOMMENDATION .....	23
7.2. SMT RECOMMENDATION .....	23
<b>8. REGULATORY INFORMATION .....</b>	<b>25</b>
8.1. UNITED STATES .....	25
8.2. EUROPE.....	27
8.3. JAPAN .....	28
<b>9. HISTORY CHANGE .....</b>	<b>29</b>

## 1. OVERVIEW

The WS2116-A0 is a sub-1GHz with PA and Bluetooth® low energy ultralow power wireless MCU module. This module is built-in STM S2-LP and BlueNRG-2 chip.

The module is a cost-effective, high performance, ultra-low power, sub-1GHz and Bluetooth® low energy RF devices. Very low active RF and MCU current and low-power mode current consumption provide excellent battery lifetime and allow for operation on small coin cell batteries and in energy-harvesting applications.

The module is also designed for Sigfox Monarch application.

### 1.1. General Features

- STM BlueNRG-2, S2-LP, sub-1GHz PA, 32MHz, 50MHz & 32.768KHz crystals, DC2DC, and RF connector on a single module.
- Stamp-hole 54pins package.
- Dimension 22mm(L) x 22mm(W) x 2.8mm(H)
- High performance, ultra-low power Cortex-M0 32-bit Microcontroller
- Programmable 256 KB Flash
- 24 KB RAM with retention (two 12 KB banks)
- Up to +8dBm BLE RF output power, up to +27dBm sub-1GHz RF output power<sup>(1)</sup>
- Excellent performance of receiver sensitivity. Up to -88dBm (BLE) and -130dBm (Sub-1GHz).
- Low Power and Wide I/O Voltage Range: 1.8 to 3.6V<sup>(1)</sup>
  - Internal DC-DC converter built-in
- Operating temperature range: -40 °C to +85 °C

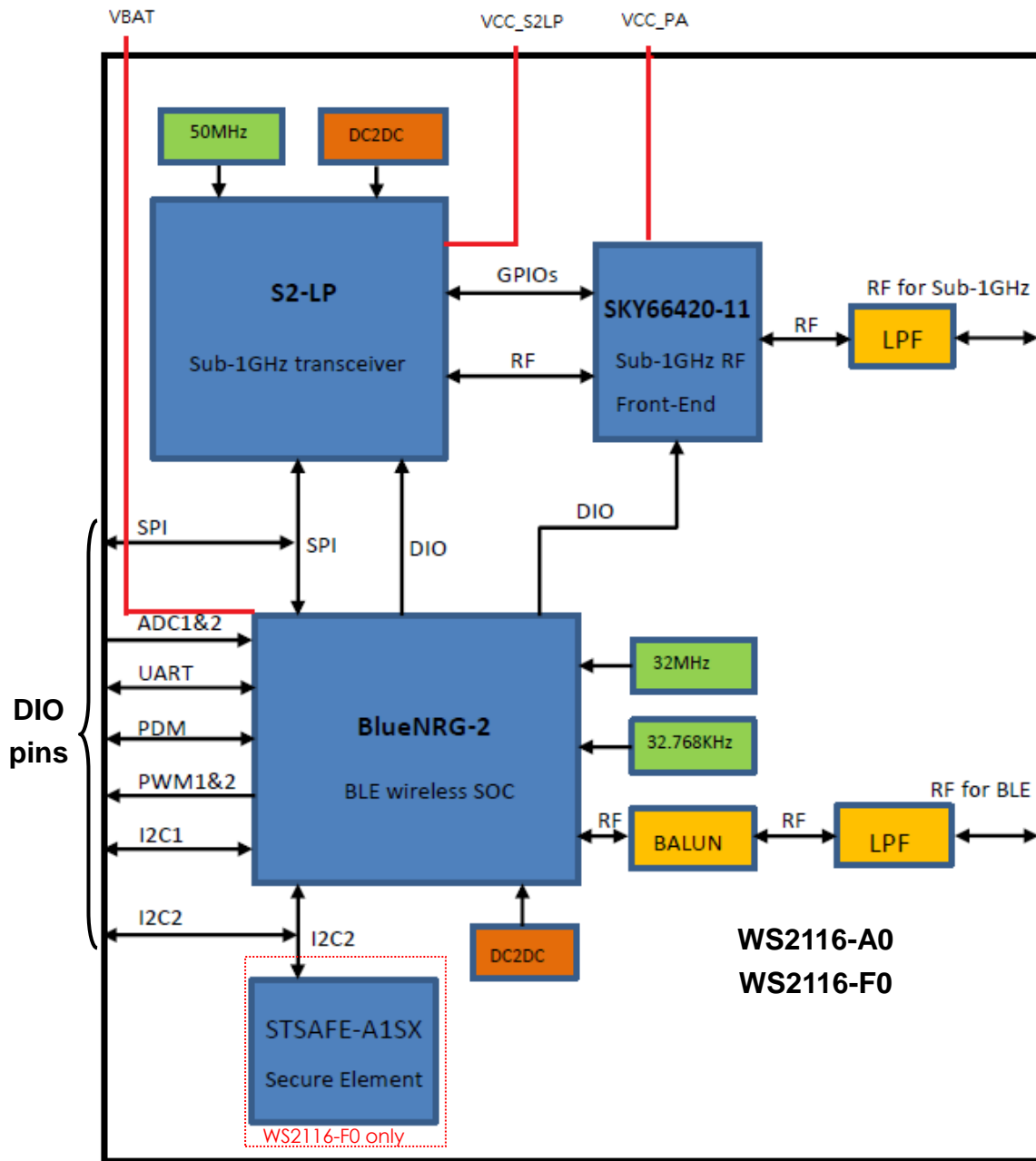
(1) In order to comply with Sigfox limits, the maximum RF output power must be reduced. See the 4. MODULE SPECIFICATIONS for details.

### 1.2. Models Functional Blocks

Model	BLE & Sub-1GHz	Secure Element
WS2116-A0	V	-
WS2116-F0	V	V

## 2. FUNCTIONAL FEATURES

### 2.1. Module Block Diagram



## 2.2. Block Functional Feature

### BlueNRG-2: Bluetooth low energy wireless SOC

- Bluetooth low energy single mode system-on-chip compliant with Bluetooth 5.0 specifications:
  - master, slave and multiple simultaneous roles
  - LE data packet length extension
- Integrated linear regulator and DC-DC step-down converter
- High performance, ultra-low power Cortex-M0 32-bit based architecture core
- Programmable 256 KB Flash
- 24 KB RAM with retention (two 12 KB banks)
- 1 x UART interface
- 1 x SPI interface
- 1 x I<sup>2</sup>C interface
- 26 GPIO
- 2 x multifunction timer
- 10-bit ADC
- Watchdog & RTC
- DMA controller
- PDM stream processor
- 32 MHz crystal oscillator built-in.
- 32 kHz crystal oscillator built-in.
- Battery voltage monitor and temperature sensor
- Up to +8 dBm available output power (at antenna connector)
- Excellent RF link budget (up to 96 dB)
- Accurate RSSI to allow power control

### S2-LP: Sub-1Ghz transceiver

- Narrow band ultra-low power Sub-1GHz transceiver tuned for 860-943 MHz frequency bands.
- Suitable for SigFox applications
- Modulation schemes: Sigfox uses Differential Binary Phase Shift Keying (DBPSK) as its uplink modulation, and Gaussian Phase Shift Keying (GFSK) in its downlink.

- Air data rate from 0.3 to 500 kbps
- Programmable RF output power up to +27 dBm ( with SKY66420-11 RF front-end chip)
- Excellent performance of receiver sensitivity: down to -130 dBm
- Programmable RX digital filter
- Programmable channel spacing
- Low duty cycle RX/TX operation mode
- Integrated linear regulator and DC-DC step-down converter

#### **SKY66420-11: Sub-1GHz RF Front-End Module**

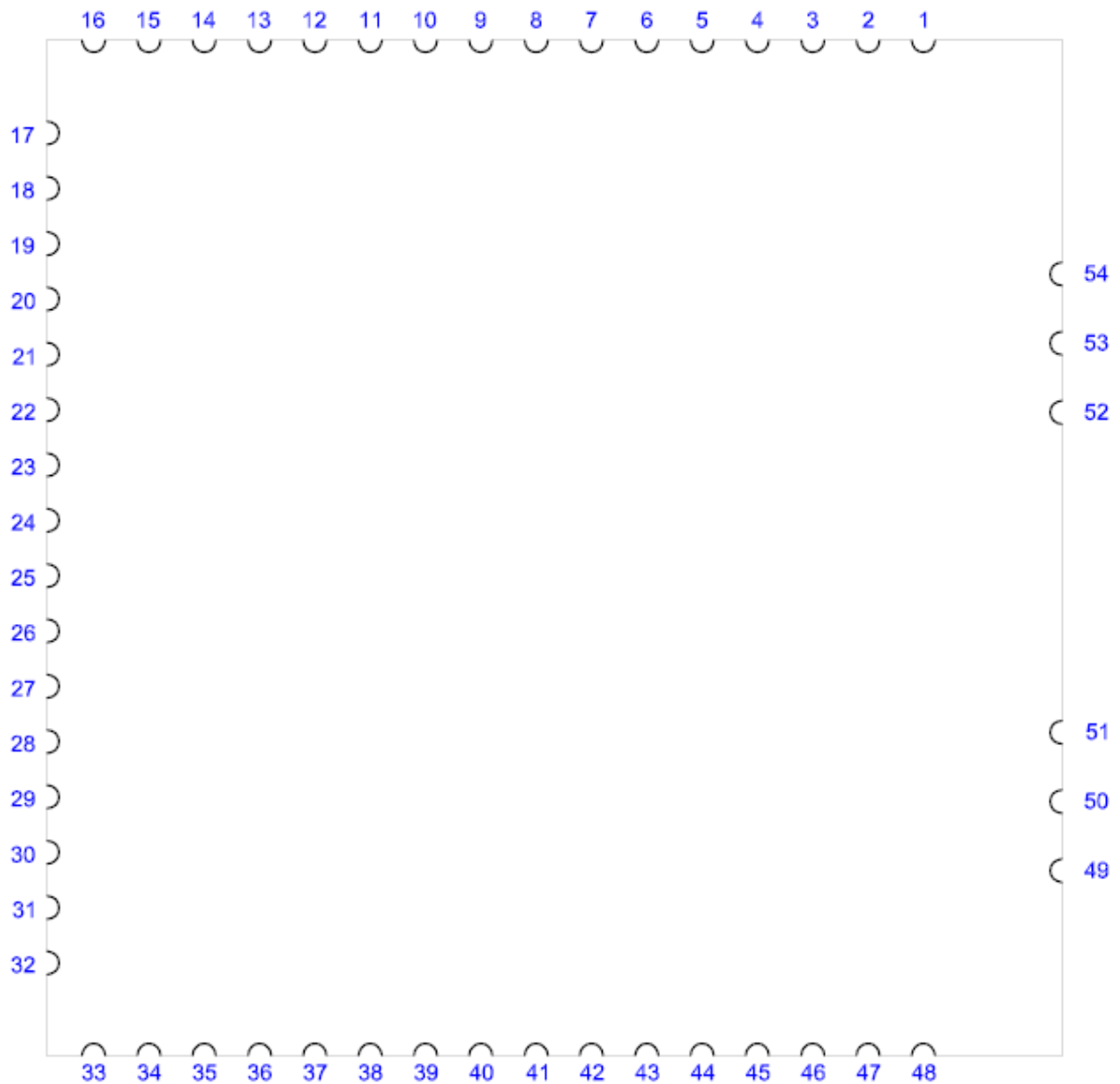
- Integrated PA
- Integrated LNA with programmable bypass

#### **STSAFE-A1SX: Secure Element ( WS2116-F0 only )**

- Data integrity over the Sigfox network:
  - Signature of payloads before uplink
  - Signature of payloads before uplink
- Optional data confidentiality over the Sigfox network:
  - Encryption of payloads before uplink
  - Decryption of downlink payloads
- Advanced symmetric cryptography : AES-128

### 3. MODULE OUTLINE

#### 3.1. Signal Layout (Top View)





### 3.2. Pin Description

**Table 3-1. Pin Description**

Pin No.	Pin Name	Type	Description
1	GND	GND	GND
2	RESETN	Digital Input	System reset
3	DIO13	Digital I/O	General purpose digital I/O of BlueNRG-2
4	DIO12	Digital I/O	General purpose digital I/O of BlueNRG-2
5	TEST	Digital Input	Test pin put to GND
6	DIO11	Digital I/O	General purpose digital I/O of BlueNRG-2
7	DIO10	Digital I/O	General purpose digital I/O of BlueNRG-2
8	DIO9	Digital I/O	General purpose digital I/O of BlueNRG-2
9	DIO25	Digital I/O	General purpose digital I/O of BlueNRG-2 / Connected internally to SDN pin of S2-LP Built-in pull-up 10K ohm resistor.
10	DIO7	Digital I/O	General purpose digital I/O of BlueNRG-2 / Built-in pull-down 100K ohm resistor.
11	DIO8	Digital I/O	General purpose digital I/O of BlueNRG-2
12	DIO22	Digital I/O	General purpose digital I/O of BlueNRG-2 / Connected internally to CTX pin of SKY66420-11
13	DIO23	Digital I/O	General purpose digital I/O of BlueNRG-2 / Connected internally to CPS pin of SKY66420-11
14	GND	GND	GND
15	VBAT	POWER	Power for BlueNRG-2
16	GND	GND	GND
17	DIO24	Digital I/O	General purpose digital I/O of BlueNRG-2 / Connected internally to CSD pin of SKY66420-11, must add a 100k resistor to GND when design
18	DIO21	Digital I/O	General purpose digital I/O of BlueNRG-2 / Connected internally to GPIO3 pin of S2-LP
19	DIO6	Digital I/O	General purpose digital I/O of BlueNRG-2 / Connected internally to RESET pin of STSAFE-A1SX
20	DIO4	Digital I/O	General purpose digital I/O of BlueNRG-2 Connected internally to SCL pin of STSAFE-A1SX

21	DIO5	Digital I/O	General purpose digital I/O of BlueNRG-2 Connected internally to SDA pin of STSAFE-A1SX
22	DIO20	Digital I/O	General purpose digital I/O of BlueNRG-2 / SPI master CS pin connected internally to CS pin of S2-LP
23	DIO19	Digital I/O	General purpose digital I/O of BlueNRG-2 / Connected internally to GPIO2 pin of S2-LP
24	DIO18	Digital I/O	General purpose digital I/O of BlueNRG-2
25	DIO16	Digital I/O	General purpose digital I/O of BlueNRG-2
26	DIO0	Digital I/O	General purpose digital I/O of BlueNRG-2 / SPI master CLK pin connected internally to SCLK pin of S2-LP
27	DIO17	Digital I/O	General purpose digital I/O of BlueNRG-2
28	DIO1	Digital I/O	General purpose digital I/O of BlueNRG-2
29	DIO2	Digital I/O	General purpose digital I/O of BlueNRG-2 / SPI master output pin connected internally to SDI pin of S2-LP
30	DIO3	Digital I/O	General purpose digital I/O of BlueNRG-2 / SPI master input pin connected internally to SDO pin of S2-LP
31	GND	GND	GND
32	GPIO3	Digital I/O	General purpose I/O of S2-LP. Connected internally to DIO21 pin of BlueNRG-2.
33	GND	GND	GND
34	VCC_S2LP	POWER	Power for S2-LP
35	GND	GND	GND
36	GPIO2	Digital I/O	General purpose I/O of S2-LP. Connected internally to DIO19 pin of BlueNRG-2.
37	GPIO1	Digital I/O	General purpose I/O of S2-LP.
38	GPIO0	Digital I/O	General purpose I/O of S2-LP.
39	DIO15	Digital I/O	General purpose digital I/O of BlueNRG-2
40	DIO14	Digital I/O	General purpose digital I/O of BlueNRG-2
41	ANATEST1	Analog Output	Analog output of BlueNRG-2
42	ANATEST0	Analog Output	Analog output of BlueNRG-2
43	GND	GND	GND
44	ADC1	Analog Input	ADC input1 of BlueNRG-2
45	ADC2	Analog Input	ADC input1 of BlueNRG-2
46	VCC_PA1	POWER	Power for SKY66420-11

47	VCC_PA2	POWER	Power for SKY66420-11
48	GND	GND	GND
49	GND	GND	GND
50	SUB-1G RF	RF I/O	Sub-1GHz antenna port
51	GND	GND	GND
52	GND	GND	GND
53	BLE RF	RF I/O	2.4 GHz BLE antenna port
54	GND	GND	GND

## 4. MODULE SPECIFICATIONS

### 4.1. Absolute Maximum Ratings

Over operating free-air temperature range (unless otherwise noted)

Pin	Parameter	MIN	MAX	Unit
15, 34	Power for BlueNRG-2 and S2-LP	-0.3	+3.6	V
46, 47	Power for SKY66420-11	-0.3	+5.5	V
3, 4, 5, 6, 7, 8, 9, 10, 11, 12, 13, 17, 18, 19, 20, 21, 22, 23, 24, 25, 26, 27, 28, 29, 30, 32, 36, 37, 38, 39, 40, 41, 42	DC voltage on digital input/output pins	-0.3	+3.9	V
41, 42, 44, 45	DC voltage on analog pins	-0.3	+3.9	V
50	Input RF level		+10	dBm
53	Input RF level		+5	dBm
	Storage temperature range	-40	+85	°C

### 4.2. ESD Ratings

Parameter			Value	Unit
Electrostatic discharge performance	VESD+HBM	BlueNRG-2 pins	±2000	V
	VESD+HBM	S2-LP pins	±500	V
	VESD+HBM	RF pins	±500	V

### 4.3. Recommended Operating Conditions

Parameter	Conditions	MIN	MAX	Unit
Ambient temperature range		-40	85	°C
VBAT <sup>(1)</sup>	For BlueNRG-2	+1.7	+3.6	V
VCC_S2LP <sup>(1)</sup>	For S2-LP	+1.8	+3.6	V
VCC_PA1, VCC_PA2 <sup>(1)</sup>	For SKY66420-11	+2.0	+4.8	V

(1) The VBAT, VCC\_S2LP, VCC\_PA1, VCC\_PA2 are limited from min 2.2V to max 3.6V in Sigfox application

#### 4.4. Power Consumption Summary

Ta = 25°C, VBAT=3.3 V, VCC\_S2LP=3.3 V, VCC\_PA = 3.3 V with internal DC-DC converter, unless otherwise noted.

Parameter	Test Conditions	Min	Typ	Max	Units	
BlueNRG-2 Supply current	Reset		5		nA	
	Standby		500		nA	
	Sleep mode: 32 kHz XO ON (24 KB retention RAM)		0.9		μA	
	Sleep mode: 32 kHz RO ON (24 KB retention RAM)		2.1		μA	
	Active mode: CPU, Flash and RAM on		1.9		mA	
	RX		8.8		mA	
	BLE TX +7 dBm		15.1		mA	
	BLE TX +2 dBm		11.2		mA	
	BLE TX +0 dBm		9.4		mA	
	BLE TX -5 dBm		8.7		mA	
	BLE TX -8 dBm		8.2		mA	
	BLE TX -10 dBm		7.7		mA	
	BLE TX -14 dBm		7.5		mA	
	BLE TX -17 dBm		7.3		mA	
I <sub>BAT</sub>	Peripheral Current Consumption (Adds to core current for each peripheral unit activated)					
	BlueNRG-2 Peripheral current	GPIO		11.0		μA
		Flash controller		6.0		μA
		System controller		0.75		μA
		UART		77.0		μA
		SPI		41.0		μA
		Watchdog		4.0		μA
		ADC		5.0		μA
		I2C1/I2C2		92.0		μA
		MFT1		7.5		μA
		MFT2		7.5		μA
		RTC		7.5		μA
		DMA		16.5		μA
		RNG		25.0		μA
		PKA		26.0		μA
I <sub>VCC_</sub> S2LP	Shutdown		5		nA	
	Standby		30.5		μA	

	S2_LP Supply current	Sleep		5		nA
		Sleep (FIFOs retained)		30.95		nA
		Ready		400		μA
		RX @ sensitivity level		8.5		mA
		TX CW @ 14 dBm(in boost mode)		25		mA
		TX CW @ 10 dBm(in boost mode)		16		mA
I <sub>VCC_</sub> PA	SKY66420-11 Supply current	Sleep Current			1	μA
		Transmit bypass mode		200		μA
		TX CW @ 27 dBm		280		mA
		RX		5		mA

#### 4.5. 2.4GHz GFSK (Bluetooth Low Energy) RF Characteristics

RF performance is specified in a single ended 50 ohm reference plane at the RF connector with Ta = 25°C, VBAT = 3.3 V, f<sub>RF</sub> = 2440 MHz, unless otherwise noted. Please see the more detail data in the STM's BlueNRG-2 datasheet.

Parameter	Test Conditions	Min	Typ	Max	Units
Frequency range		2400	-	2483.5	MHz
Channel spacing		-	2	-	MHz
Channel center frequency		2402		2480	MHz
Receiver sensitivity	BER = 10 <sup>-3</sup>		-86		dBm
Receiver saturation	BER = 10 <sup>-3</sup>		11		dBm
Maximum Output Power	At RF connector		+7		dBm
Minimum Output Power	At RF connector		-17		dBm

#### 4.6. Sub-1GHz RF Characteristics

RF performance is specified in a single ended 50 ohm reference plane at the RF connector with Ta = 25°C, VCC\_S2LP = 3.3 V, VCC\_PA=3.3V, unless otherwise noted. Please see the more detail data in the STM's S2\_LP and Skyworks's SKY66420-11 datasheet.

Parameter	Test Conditions	Min	Typ	Max	Units
Frequency range		860	-	930	MHz
Data rate – 2-(G)FSK		0.3	-	250	kbps
Data rate – 4-(G)FSK		0.6	-	500	kbps
Data rate – OOK/ASK		0.3	-	125	kbps
Frequency deviation FDEV		0.15	-	500	kHz

Sensitivity @ 920MHz, Low Gain Mode, 1% BER @ 2-GFSK BT = 0.5	DR = 0.3 kbps, FDEV = 0.25 kHz, CHF = 1 kHz		-128		dBm
	DR = 1.2 kbps, FDEV = 1.2 kHz, CHF = 4 kHz		-122		dBm
	DR = 38.4 kbps, FDEV = 20 kHz, CHF = 100 kHz		-109		dBm
	DR = 100 kbps, FDEV = 50 kHz, CHF = 200 kHz		-105		dBm
Sensitivity @ 920MHz, Low Gain Mode, 1% BER @ 4-GFSK BT = 0.5	DR = 4.8 kbps, DEV = 2.4 kHz, CHF = 10 kHz		-114		dBm
	DR = 9.6 kbps, DEV = 4.8 kHz, CHF = 20 kHz		-112		dBm
	DR = 19.2 kbps, DEV = 9.6 kHz, CHF = 40 kHz		-108		dBm
Maximum Output Power <sup>(1)</sup>	At RF connector (PA enable)		+27		dBm
	At RF connector (PA bypass)		+14		
Minimum Output Power	At RF connector		0		dBm

(1) In order to comply with Sigfox limits, the maximum RF output power must be as below.

RC1	RC2	RC3	RC4	RC5	RC6
12.8dBm	22.4dBm	12.4dBm	21.7dBm	12.0dBm	12.7dBm

#### 4.7. Internal 16-MHz Crystal Oscillator ( for BlueNRG-2 )

over operating free-air temperature range (unless otherwise noted)

Parameter	Test Conditions	Min	Typ	Max	Units
Crystal frequency			32		MHz
Crystal frequency tolerance <sup>(1)</sup>		-40		+40	ppm

(1) Includes initial tolerance of the crystal, drift over temperature, aging ( 5 years ).

#### 4.8. Internal 32.768-kHz Crystal Oscillator ( for BlueNRG-2 )

over operating free-air temperature range (unless otherwise noted)

Parameter	Test Conditions	Min	Typ	Max	Units
Crystal frequency			32.768		KHz
Crystal frequency tolerance <sup>(1)</sup>		-40		40	ppm

(1) Includes initial tolerance of the crystal, drift over temperature, aging ( 5 years ).

#### 4.9. Internal 50MHz Crystal Oscillator ( for S2-LP )

over operating free-air temperature range (unless otherwise noted)

Parameter	Test Conditions	Min	Typ	Max	Units
Crystal frequency			50		MHz
Crystal frequency tolerance <sup>(1)</sup>	Without initial frequency calibration	-40		40	ppm
Crystal frequency tolerance <sup>(2)</sup>	Initial frequency is calibrated by software	-20		20	ppm

(1) Includes initial tolerance of the crystal, drift over temperature, aging ( 5 years ).

(2) Includes only drift over temperature, aging ( 5 years ).

#### 4.10. BlueNRG-2 Digital I/O specifications

Ta = 25°C

Parameter	Test Conditions	Min	Typ	Max	Units
Trise	0.1*VDD to 0.9*VDD, CL=50pF	1.4(TC)	-	19(TC2)	ns
Tfall	0.9*VDD to 0.1*VDD, CL=50pF	1.5(TC)	-	22(TC2)	ns
T(RST)L		-	1.5	-	ms
TC		3	3.3	3.6	V
TC1		2.25	2.5	2.75	V
TC2		1.72	1.8	1.98	V
VIL	TC	-0.3	-	0.9	V
	TC1	-0.3	-	0.67	V
	TC2	-0.3	-	0.54	V
VIH	TC	1.95	-	3.6	V
	TC1	1.46	-	2.75	V
	TC2	1.1	-	1.98	V
VOL	TC	-	-	0.4	V
	TC1	-	-	0.42	V
	TC2	-	-	0.45	V
VOH	TC	2.4	-	-	V
	TC1	1.72	-	-	V
	TC2	1.35	-	-	V
IOL (Low drive strength)	TC (VOL = 0.4V)	3.4	5.6	7.9	mA
	TC1 (VOL= 0.42V)	3.8	6.6	10.1	mA
	TC2 (VOL =0.45V)	1.6	3	5	mA



IOL (High drive strength)	TC (VOL = 0.4V)	6.8	11.2	15.8	mA
	TC1 (VOL= 0.42V)	7.6	13.2	20.1	mA
	TC2 (VOL =0.45V)	3.3	6	9.9	mA
IOH (Low drive strength)	TC (VOH = 2.4V)	5.5	10.6	17.6	mA
	TC1 (VOH= 1.72V)	3.7	7.2	12	mA
	TC2 (VOH =1.35V)	1.4	3	5.6	mA
IOH (High drive strength)	TC (VOH = 2.4V)	9.9	19.2	31.7	mA
	TC1 (VOH= 1.72V)	6.7	12.9	21.6	mA
	TC2 (VOH =1.35V)	2.4	5.5	10.1	mA

#### 4.11. S2-LP Digital interface specification

Parameter	Test Conditions	Min	Typ	Max	Units
SPI clock frequency			8	10	MHz
VIH		$VCC\_S2LP/2+0.3$	-	-	V
VIL		-	-	$VCC\_S2LP/8 +0.3$	V
VOH	IOH = -2.4 mA (-4.2 mA into high output current mode).	$0.625*VCC\_S2LP+0.1$	-	-	V
VOL	IOL = +2.0 mA (+4.0 mA into high output current mode).			0.5	V

#### 4.12. SKY66420-11 Electrical Specifications: Control Logic Characteristics<sup>1</sup>

Parameter	Test Conditions	Min	Typ	Max	Units
Control Voltage High	RXEN, TXEN, and MODE Pins	1.6 <sup>2</sup>	-	VCC_PA	V
Control Voltage Low	RXEN, TXEN, and MODE Pins			0.3 <sup>2</sup>	V

<sup>1</sup> Performance is guaranteed only under the conditions listed in this table.

<sup>2</sup> Logic inputs must be VCC\_PA or GND to achieve specified sleep currents.

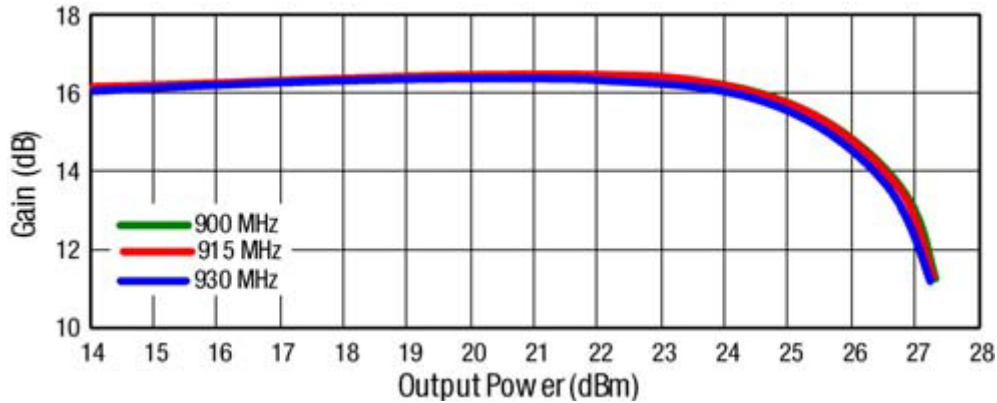
#### 4.13. SKY66420-11 Electrical Specifications: Mode Control Logic

Mode	CSD	CTX	CPS
Shutdown	0	X <sup>1</sup>	X <sup>1</sup>
Receive LNA mode	1	0	X <sup>1</sup>
Transmit bypass	1	1	0
Transmit	1	1	1

<sup>1</sup> X (don't care) inputs must be held at VCC\_PA or GND to achieve specified sleep current.

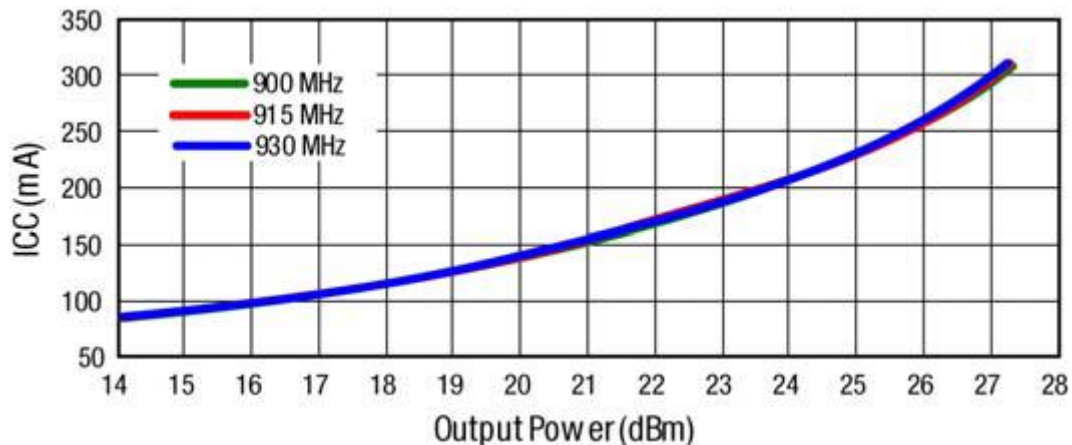
#### 4.14. SKY66420-11 Gain vs. Pout

Tc = 25°C, VCC\_PA = 3.3 V



#### 4.15. SKY66420-11 Current vs. Pout

Tc = 25°C, VCC\_PA = 3.3 V



#### 4.16. More Characteristics

If you need more detail characteristics, please visit STM and Skyworks web site.

BlueNRG-2

[https://www.st.com/content/st\\_com/en/products/wireless-transceivers-mcus-and-modules/bluetooth-bluetooth-low-energy/bluenrg-2.html](https://www.st.com/content/st_com/en/products/wireless-transceivers-mcus-and-modules/bluetooth-bluetooth-low-energy/bluenrg-2.html)

S2-LP:

[http://www.st.com/content/st\\_com/en/products/wireless-connectivity/sub-1ghz-rf/s2-lp.html](http://www.st.com/content/st_com/en/products/wireless-connectivity/sub-1ghz-rf/s2-lp.html)

SKY66420-11

<http://www.skyworksinc.com/Product/4124/SKY66420-11>

## 5. DESIGN RECOMMENDATIONS

### 5.1. GPIO Usage of BlueNRG-2

Because the function of some pins has been used in the module internally. The other functions of these pins could not be defined. Please refer the below table.

Pin Name	Mode "000"		Mode "001"		Mode "100"		Mode "101"		Note
	Type	Signal	Type	Signal	Type	Signal	Type	Signal	
DIO0	I/O	<del>GPIO 0</del>	I	<del>UART_CTS</del>	I/O	<del>SPI_CLK</del>	O	<del>CPUCLK</del>	To SCLK pin of S2-LP
DIO1	I/O	<del>GPIO 1</del>	O	<del>UART_RTS</del>	I/O	<del>SPI_CS1</del>	I	<del>PDM_DATA</del>	
DIO2	I/O	<del>GPIO 2</del>	O	<del>PWM0</del>	O	<del>SPI_OUT</del>	O	<del>PDM_CLK</del>	To SDI pin of S2-LP
DIO3	I/O	<del>GPIO 3</del>	O	<del>PWM1</del>	I	<del>SPI_IN</del>	-	<del>-</del>	To SDO pin of S2-LP
DIO4	I/O	<del>GPIO 4</del>	I	<del>UART_RXD</del>	I/O	<del>I2C2_CLK</del>	O	<del>PWM0</del>	To SCL pin of STSAFE-A1SX
DIO5	I/O	<del>GPIO 5</del>	O	<del>UART_TXD</del>	I/O	<del>I2C2_DAT</del>	O	<del>PWM1</del>	To SDA pin of STSAFE-A1SX
DIO6	I/O	<del>GPIO 6</del>	O	<del>UART_RTS</del>	I/O	<del>I2C2_CLK</del>	I	<del>PDM_DATA</del>	To reset pin of STSAFE-A1SX
DIO7	I/O	<del>GPIO 7</del>	I	<del>UART_CTS</del>	I/O	<del>I2C2_DAT</del>	O	<del>PDM_CLK</del>	
DIO8	I/O	<del>GPIO 8</del>	O	<del>UART_TXD</del>	I/O	<del>SPI_CLK</del>	I	<del>PDM_DATA</del>	
DIO9	I/O	<del>GPIO 9</del>	I	<del>SWCLK</del>	I	<del>SPI_IN</del>	O	<del>XO16/32M</del>	
DIO10	I/O	<del>GPIO 10</del>	I	<del>SWDIO</del>	O	<del>SPI_OUT</del>	O	<del>CLK_32K</del>	
DIO11	I/O	<del>GPIO 11</del>	I	<del>UART_RXD</del>	I/O	<del>SPI_CS1</del>	O	<del>CLK_32K</del>	
DIO12	OD	<del>GPIO 12</del>	I	<del>-</del>	I/O	<del>I2C1_CLK</del>	-	<del>-</del>	
DIO13	OD	<del>GPIO 13</del>	I	<del>UART_CTS</del>	I/O	<del>I2C1_DAT</del>	-	<del>-</del>	
DIO14	I/O	<del>GPIO 14</del>	I/O	<del>I2C1_CLK</del>	I/O	<del>SPI_CLK</del>	-	<del>-</del>	
DIO15	I/O	<del>GPIO 15</del>	I/O	<del>I2C1_DAT</del>	I/O	<del>SPI_CS1</del>			
DIO16	I/O	<del>GPIO 16</del>	O	<del>PWM0</del>	I	<del>SPI_IN</del>			
DIO17	I/O	<del>GPIO 17</del>	O	<del>PWM1</del>	O	<del>SPI_OUT</del>			
DIO18	I/O	<del>GPIO 18</del>	O	<del>SPI_CS2</del>	O	<del>UART_RTS</del>			
DIO19	I/O	<del>GPIO 19</del>	O	<del>SPI_CS3</del>	I	<del>UART_CTS</del>			To GPIO2 of S2-LP
DIO20	I/O	<del>GPIO 20</del>	I	<del>UART_CTS</del>	O	<del>SPI_CS2</del>			To CS pin of S2-LP
DIO21	I/O	<del>GPIO 21</del>	O	<del>PWM1</del>	I/O	<del>SPI_CS1</del>			To GPIO3 of S2-LP
DIO22	I/O	<del>GPIO 22</del>	O	<del>PWM0</del>	O	<del>SPI_CS3</del>			To CTX pin of SKY66420-11
DIO23	I/O	<del>GPIO 23</del>	O	<del>UART_TXD</del>	O	<del>SPI_OUT</del>	O	<del>PDM_CLK</del>	To CPS pin of SKY66420-11
DIO24	I/O	<del>GPIO 24</del>	I	<del>UART_RXD</del>	I	<del>SPI_IN</del>	I	<del>PDM_DATA</del>	To CSD pin of SKY66420-11
DIO25	I/O	<del>GPIO 25</del>	O	<del>UART_RTS</del>	I/O	<del>SPI_CLK</del>	O	<del>PDM_CLK</del>	To SDN pin of S2-LP

## 5.2. Debug Port

The BlueNRG-1 embeds the ARM serial wire debug (SWD) port. It is two pins (clock and single bi-directional data) debug interface, providing all the debug functionality plus realtime access to system memory without halting the processor or requiring any target resident code.

Pin functionality	Pin Name	Pin description
SWCLK	DIO9	SWD clock signal
SWDIO	DIO10	SWD data signal

The Cortex-M0 subsystem of the BlueNRG-1 embeds two breakpoints and one watch point.

## 5.3. Antenna Selection Guide

There are two RF connectors to connect one 2.4GHz antenna and one from 868MHz to 923MHz antenna. There is an antenna selection guide from STM. You can download it from the below link.

[http://www.st.com/content/ccc/resource/technical/document/application\\_note/82/38/3f/9f/fd/4d/4f/ab/DM00068254.pdf/files/DM00068254.pdf/jcr:content/translations/en.DM00068254.pdf](http://www.st.com/content/ccc/resource/technical/document/application_note/82/38/3f/9f/fd/4d/4f/ab/DM00068254.pdf/files/DM00068254.pdf/jcr:content/translations/en.DM00068254.pdf)

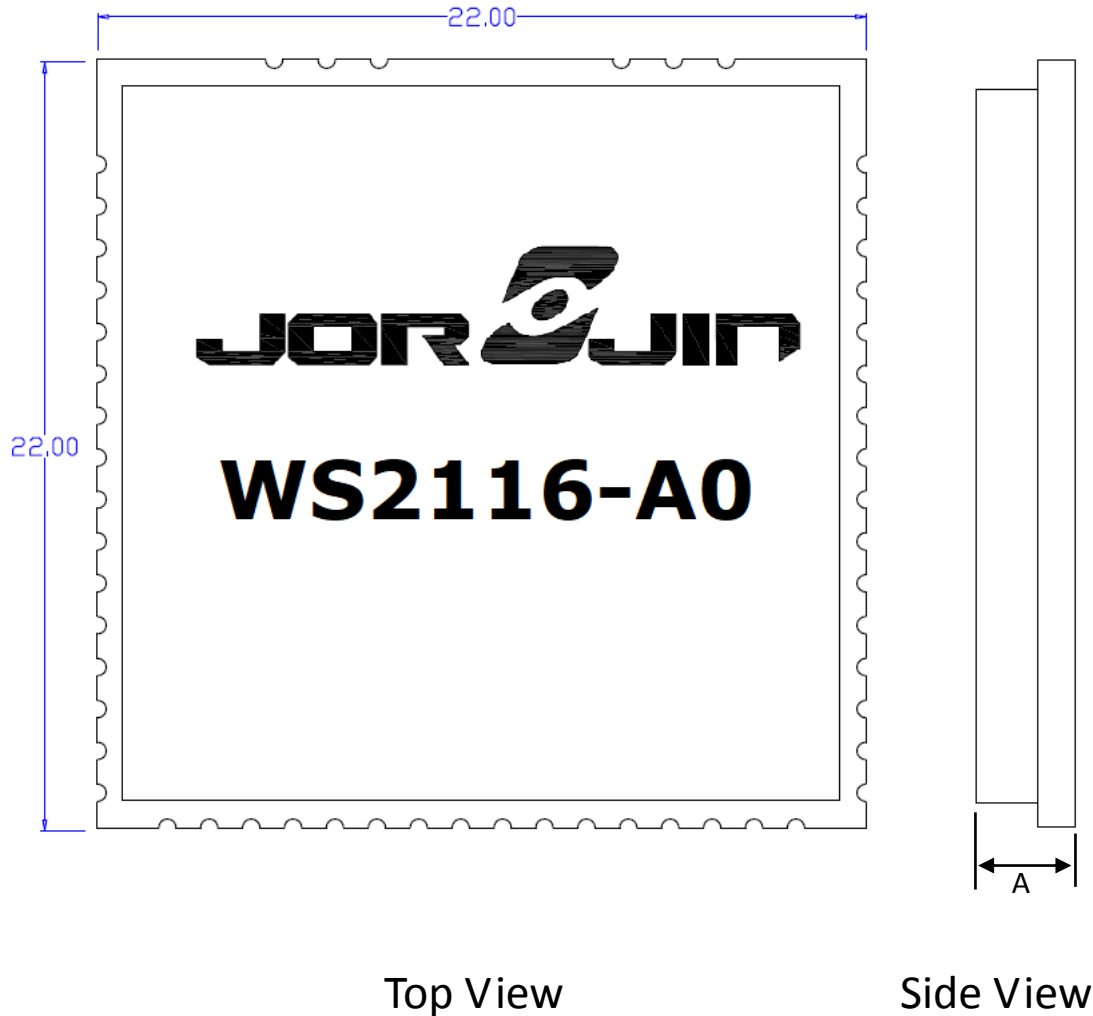
For the FCC and NCC certified antenna types/gain please refer to the following table.

Antenna Type	BT LE		Sigfox	
	PCB	Dipole	PCB	Dipole
Antenna Gain	2.18 dBi	2.6 dBi	2.1 dBi	3.54 dBi

Note : The maximum antenna gain allowed for use with this device is 2.6 dBi for BT LE and 3.54 dBi for Sigfox.

## 6. PACKAGE INFORMATION

### 6.1. Module Mechanical Outline

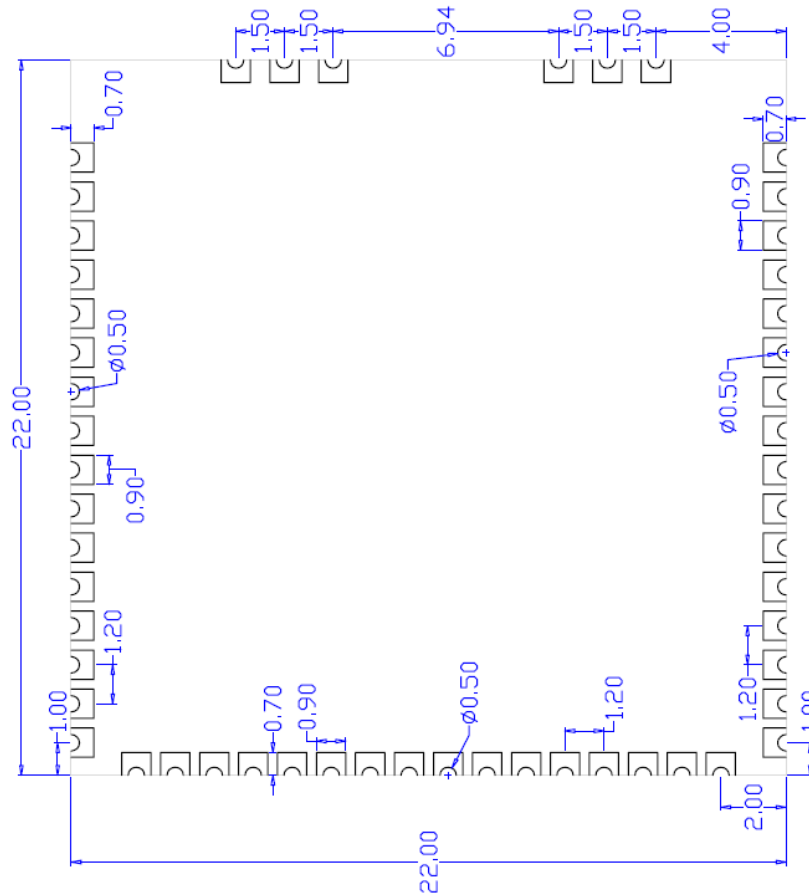


Note:

A: Typical: 2.8mm, Maximum: 3.0mm

Unit: mm

Tolerance: +/- 0.2mm

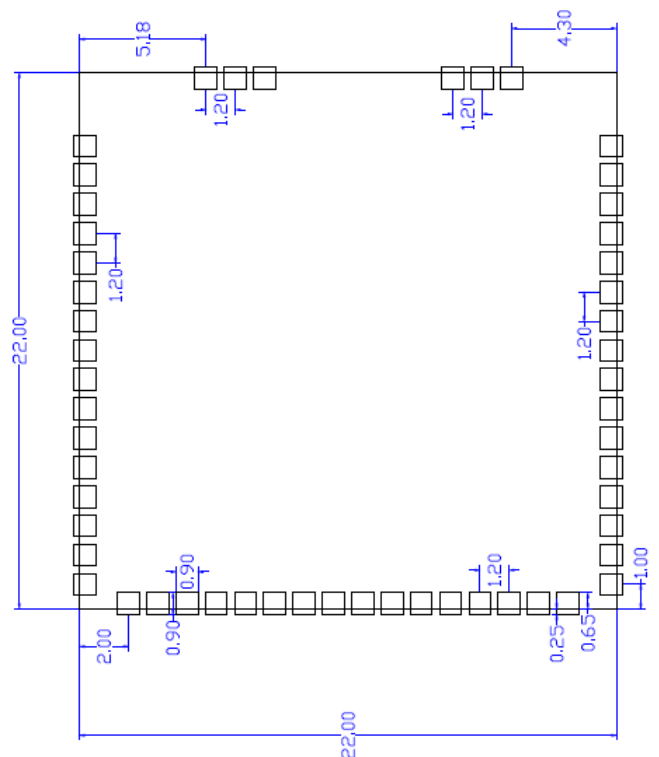


Unit: mm

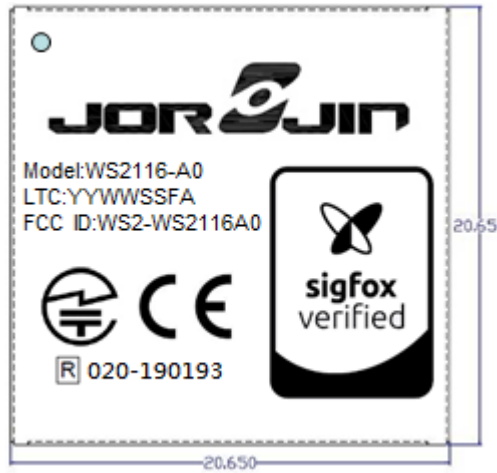
Bottom View





Note:

- 1> Pad tolerance as +/-30um
- 2> Recommend pad layout size on PCB at least 0.9 mm as the picture on the right side.



## 6.2. Package Marking



Marking	Description
	Brand name: JORJIN
WS2116-A0 or WS2116-F0	Model name
YYWWSSFX	Lot Trace Code: YYWWSSFX YY= Digit of the year, ex: 2017=17 WW= Week (01~52) SS= Serial number from 01~98 match to MFG's lot number, or 99 to repair control code F= Reverse for internal use X = A to Z for Module version
WS2-WS2116A0	FCC ID
	CE compliance mark
	JRF compliance mark, and ID
	Sigfox P1 certified logo

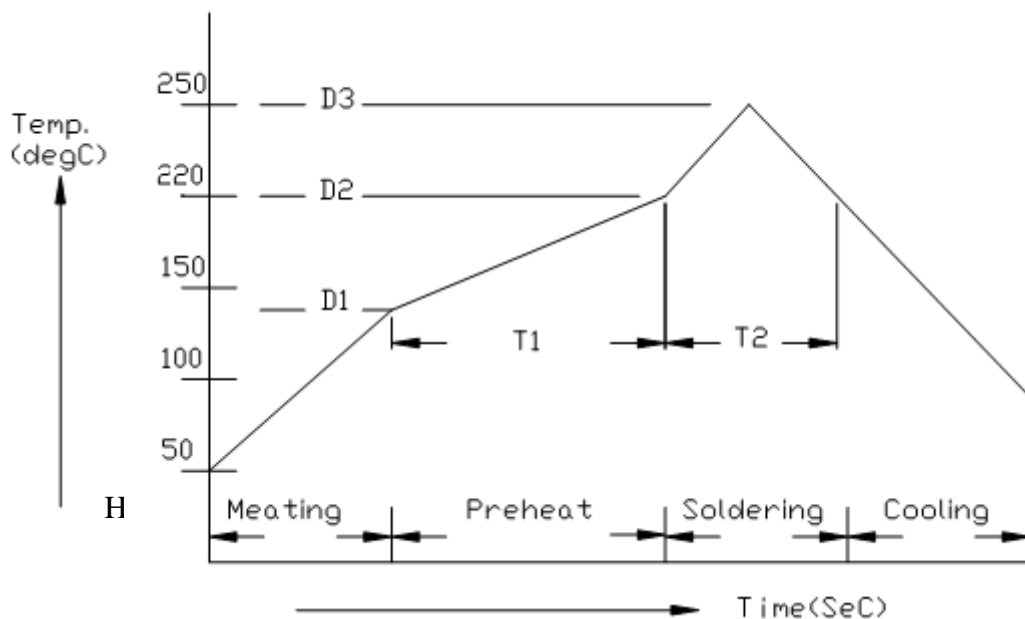
## 7. SMT AND BAKING RECOMMENDATION

### 7.1. Baking Recommendation

- Baking condition :
    - Follow MSL Level 4 to do baking process.
    - After bag is opened, devices that will be subjected to reflow solder or other high temperature process must be
      - a) Mounted within 72 hours of factory conditions <30°C/60% RH, or
      - b) Stored at <10% RH.
    - Devices require bake, before mounting, if Humidity Indicator Card reads >10%
- If baking is required, Devices may be baked for 8 hrs. at 125 °C.

### 7.2. SMT Recommendation

- Recommended Reflow profile :



No.	Item	Temperature (°C)	Time (sec)
1	Pre-heat	D1: 140 ~ D2: 200	T1: 80 ~ 120
2	Soldering	D2: = 220	T2: 60 +/- 10
3	Peak-Temp.	D3: 250 °C max	



Note: (1) Reflow soldering is recommended two times maximum.

(7) Add Nitrogen while Reflow process : SMT solder ability will be better.

- **Stencil thickness** : 0.1~ 0.13 mm (Recommended)
- **Soldering paste (without Pb)** : Recommended SENJU N705-GRN3360-K2-V can get better soldering effects.

## 8. REGULATORY INFORMATION

This section outlines the regulatory information for the following countries:

- United States
- Europe
- Japan

### 8.1. United States

#### **Federal Communications Commission Interference Statement**

This device complies with Part 15 of the FCC Rules. Operation is subject to the following two conditions: (1) This device may not cause harmful interference, and (2) this device must accept any interference received, including interference that may cause undesired operation.

This equipment has been tested and found to comply with the limits for a Class B digital device, pursuant to Part 15 of the FCC Rules. These limits are designed to provide reasonable protection against harmful interference in a residential installation. This equipment generate, uses and can radiate radio frequency energy and, if not installed and used in accordance with the instructions, may cause harmful interference to radio communications. However, there is no guarantee that interference will not occur in a particular installation. If this equipment does cause harmful interference to radio or television reception, which can be determined by turning the equipment off and on, the user is encouraged to try to correct the interference by one of the following measures:

- Reorient or relocate the receiving antenna.
- Increase the separation between the equipment and receiver.
- Connect the equipment into an outlet on a circuit different from that to which the receiver is connected.
- Consult the dealer or an experienced radio/TV technician for help.

#### **FCC Caution:**

- Any changes or modifications not expressly approved by the party responsible for compliance could void the user's authority to operate this equipment.
- This transmitter must not be co-located or operating in conjunction with any other antenna or transmitter.

**FCC RF Radiation Exposure Statement:**

This equipment complies with FCC radiation exposure limits set forth for an uncontrolled environment. This equipment should be installed and operated with minimum distance 20cm between the radiator & your body.

**This device is intended only for OEM integrators under the following conditions:**

- 1) The antenna must be installed such that 20 cm is maintained between the antenna and users, and
- 2) The transmitter module may not be co-located with any other transmitter or antenna.

As long as **2** conditions above are met, further transmitter test will not be required. However, the OEM integrator is still responsible for testing their end-product for any additional compliance requirements required with this module installed

**IMPORTANT NOTE:** In the event that these conditions can not be met (for example certain laptop configurations or co-location with another transmitter), then the FCC authorization is no longer considered valid and the FCC ID can not be used on the final product. In these circumstances, the OEM integrator will be responsible for re-evaluating the end product (including the transmitter) and obtaining a separate FCC authorization.

**End Product Labeling:**

This transmitter module is authorized only for use in device where the antenna may be installed such that 20 cm may be maintained between the antenna and users. The final end product must be labeled in a visible area with the following: "Contains FCC ID:WS2-WS2116A0". The grantee's FCC ID can be used only when all FCC compliance requirements are met.

**Manual Information to the End User**

The OEM integrator has to be aware not to provide information to the end user regarding how to install or remove this RF module in the user's manual of the end product which integrates this module.

The end user manual shall include all required regulatory information/warning as show in this manual.

## 8.2. Europe

Hereby, Jorjin Technologies Inc. declares that the radio equipment type RF module is in compliance with Directive 2014/53/EU.

The compliance has been verified in the operating frequency band of 2400 MHz to 2483.5 MHz, and 868.055MHz to 868.205MHz. Developers and integrators that incorporate the WS2116-A0 RF Module in any end products are responsible for obtaining applicable regulatory approvals for such end product.

The WS2116-A0 has been tested in the 2400-GHz to 2483.5-GHz, and 868.055MHz to 868.205MHz ISM frequency band at 3.3 V across the temperature range  $-40^{\circ}\text{C}$  to  $+85^{\circ}\text{C}$  and tolerance.

### Labeling and User Information Requirements

As a result of the conformity assessment procedure described in Annex III of the Directive 2014/53/EC, the end-customer equipment should be labeled as follows:



### 8.3. Japan

The WS2116-A0 is certified as a module with type certification number. End products that integrate this module do not need additional MIC Japan certification for the end product.



® 020-190193

## 9. HISTORY CHANGE

Revision	Date	Description
D 0.1	2018/10/12	Product Preview
	2019/03/04	BLE Max output power modify Update Table 4.4 of power consumption
	2019/06/28	Update voltage limited and Sigfox maximum output power in Sigfox certification report.
	2019/07/22	Update Sigfox RC5 certification power at page 14.
	2019/08/12	Add Part 8 : REGULATORY INFORMATION
	2019/09/24	Modulation schemes modify
D 0.2	2019/10/08	Add more detail in Part 5.
	2019/10/15	Update DIO13 、 DIO14 Usage
	2019/10/22	Update 5.3 antenna spec Add MIC certification Logo