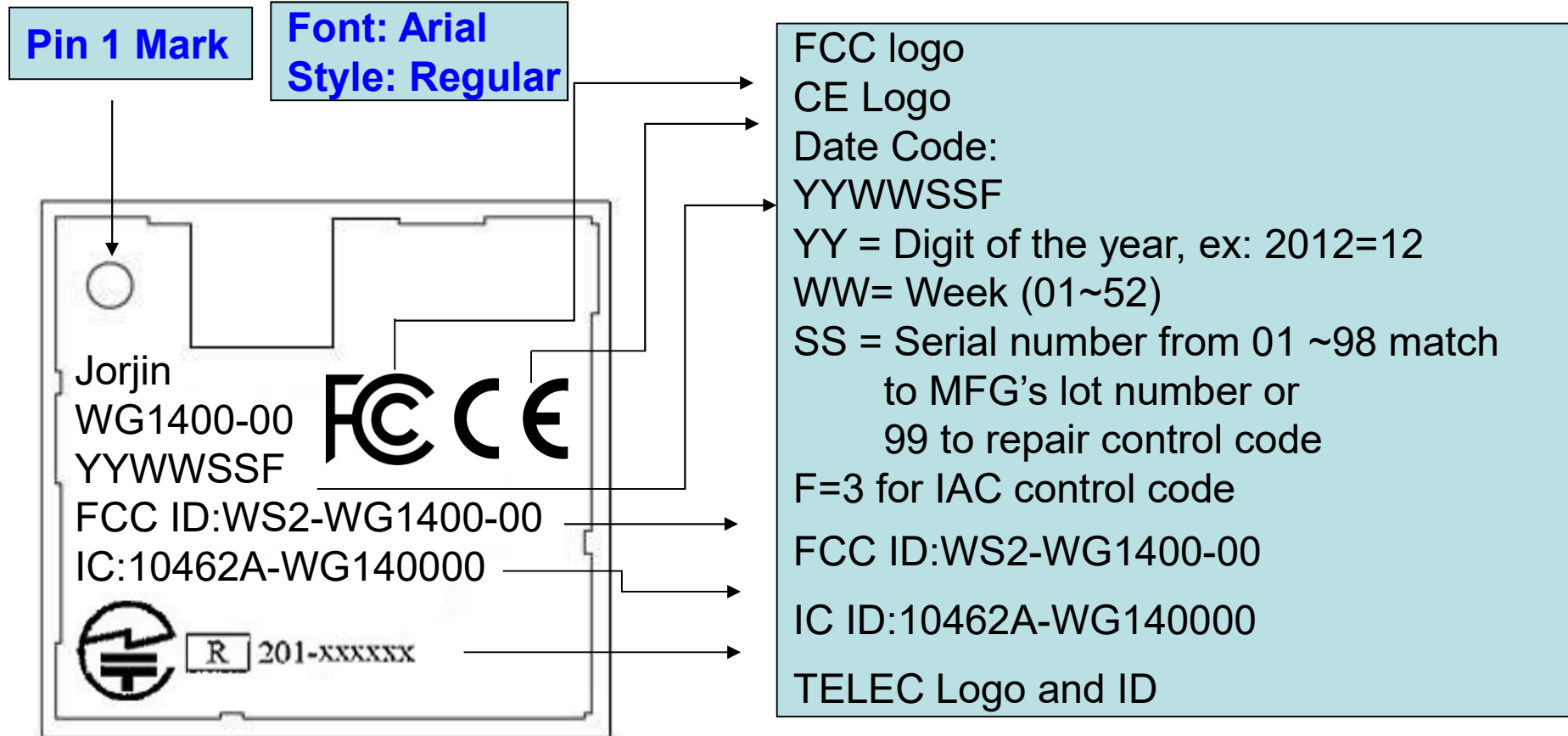


WG1400-00 Laser Marking



Laser marking rule draft, the area in the middle of shielding case

label location

