

RFA641-3440 UHF Antenna

For industrial and logistic applications

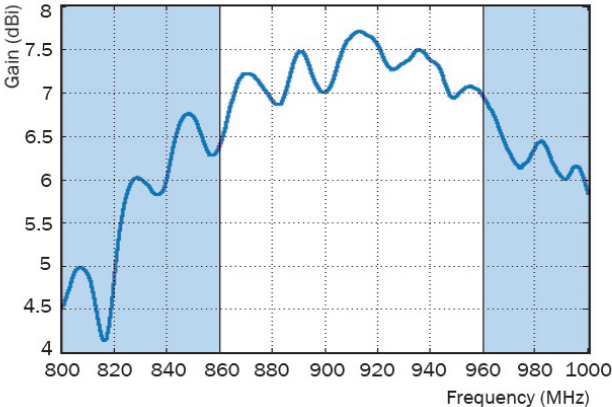


The RFA641-3440 is a multi-purpose UHF antenna. The broad frequency range allows the usage in Europe, USA and other countries.

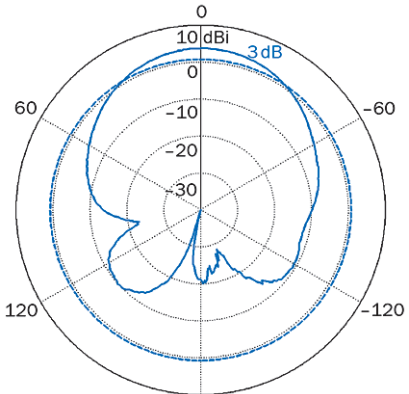
Its characteristics are ideal for usage in logistic and industrial applications. The compact design allows quick and flexible installations. The beamwidth enables the usage for all standards (FCC, EN 300220, EN 302208).

The RFA641-3440 was developed for applications like tote tracking, portal setup or baggage identification. In combination with the antenna cable it may be installed in up to 10 m distance to the RF1641 UHF interrogator.

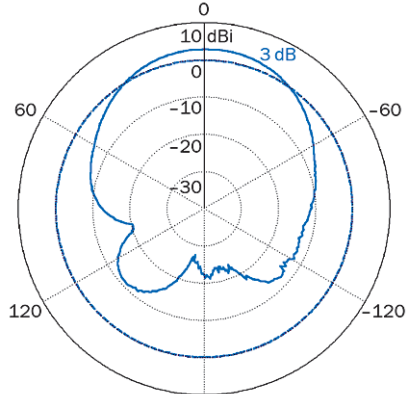
The RF1641 as well as the cables meet the ROHS requirements.



Circular Polarised Gain

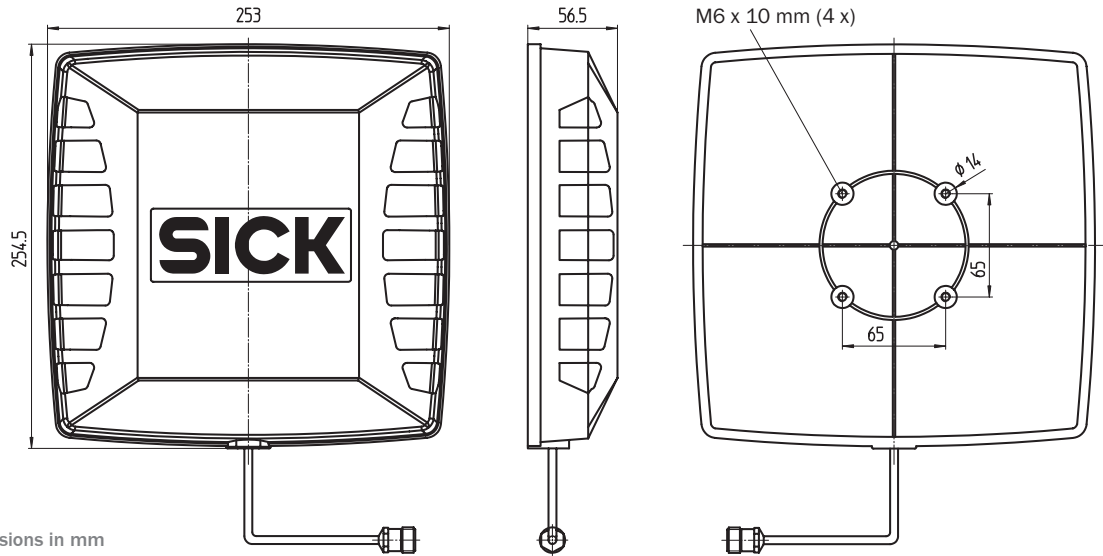


Radiation pattern horizontal-vertical (900 MHz)



Radiation pattern vertical-vertical (900 MHz)

Dimensional Drawing



All dimensions in mm

Technical Data

Type	RFA641-3440
Order no.	6034316
Frequency range	860 to 960 MHz (for Europe and USA)
Polarisation	Circular
VSWR	< 1.3:1
Gain	7dBi \pm 1dBi
Connection	Cable 0.3 m, N socket, impedance 50 Ohm
Housing	ABS, 4 x tapped blind holes M6
Enclosure rating	IP 54 according to EN 60529/A1
Dimensions (L x W x H)	254.5 mm x 253 mm x 56.5 mm
Weight	Approx. 470 g
Ambient operating temperature	-20 to +70 °C
Rel. humidity	5 to 95 %, non-condensing

Ordering Information (Accessories)

Order no.	Product
6034081	Cable for connecting the antenna, TNC socket/N plug, 2 m
6034082	Cable for connecting the antenna, TNC socket/N plug, 5 m
6034083	Cable for connecting the antenna, TNC socket/N plug, 10 m