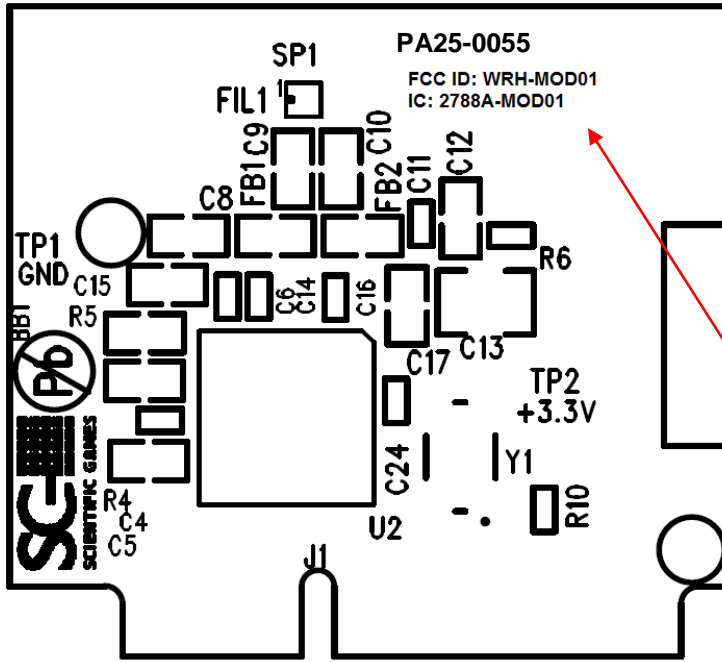


US Tech Test Report:
FCC ID:
IC:
Test Report Number:
Issue Date:
Customer:
Model:

FCC Part 15 Certification/ RSS 210
WRH-MOD01
2788A-MOD01
19-0050
May 24, 2019
Scientific Games, Inc.
PA25-0055

SAMPLE LABEL



The Model and identification numbers shall be silkscreened on to the PCB as shown above.

US Tech Test Report:
FCC ID:
IC:
Test Report Number:
Issue Date:
Customer:
Model:

FCC Part 15 Certification/ RSS 210
WRH-MOD01
2788A-MOD01
19-0050
May 24, 2019
Scientific Games, Inc.
PA25-0055



Host Product Label Location

Host Product Sample Label:

