



ecobee Smart Doorbell Camera Installation made easy

- What's in the box?
- Wiring diagrams

Replace with
Smart Doorbell
Camera asset

ecobee Smart Doorbell Camera

What's in the box?



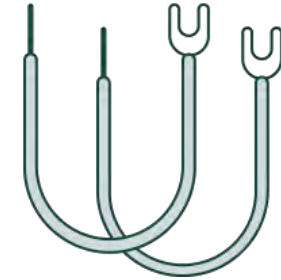
ecobee Smart Doorbell Camera



Wedge



Backplate & Security screw (pre-attached)



Wire Extenders (x2)



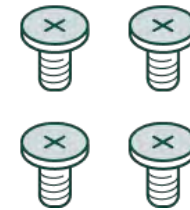
Chime Adapter



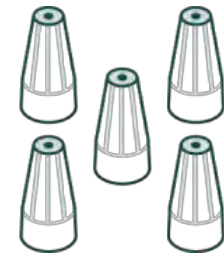
Allen Key



Long Screws (x2)
Anchors – Brick only (x2)



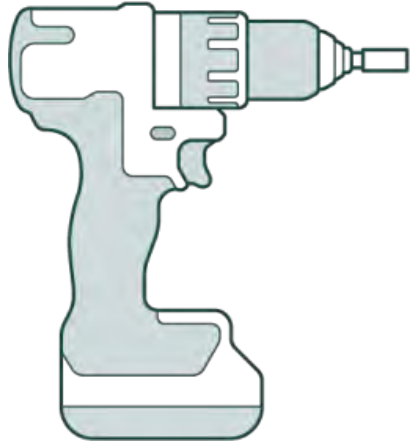
Short Screws (x4)



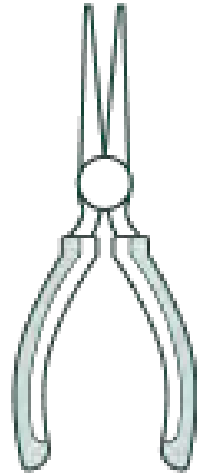
Wire Connectors (x5)

ecobee Smart Doorbell Camera

Recommended Tools



Drill



Needle-nose pliers



Phillips Screw Driver



1/4" masonry bit (hard surfaces)
5/64" (soft surfaces)

Installation Process – Power & Chime Box

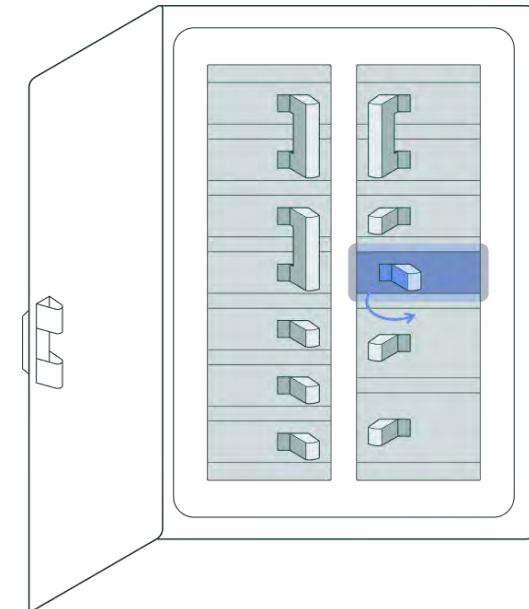
1. Locate Chime Box

Easiest way to do this is by ringing the doorbell & following the sound.



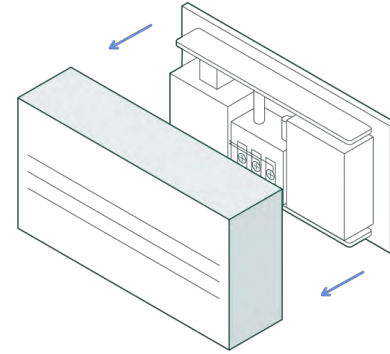
2. Turn off Power

Once you have located the chime box and confirm the doorbell is working, turn off the power by turning off the circuit breaker for the doorbell.



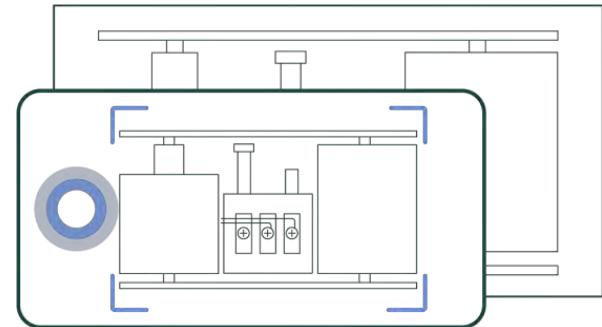
Installation Process – Power & Chime Box

3. Remove Chime Box Cover



4. Take a photo of the chime box:

We know you are Pros at this, but we recommend taking photos the chime box. Make sure the wiring and labels are clearly visible.

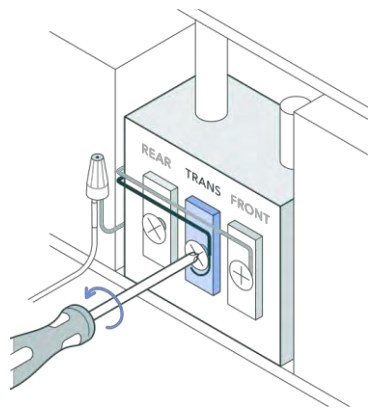


Does the Home have more than one doorbell?

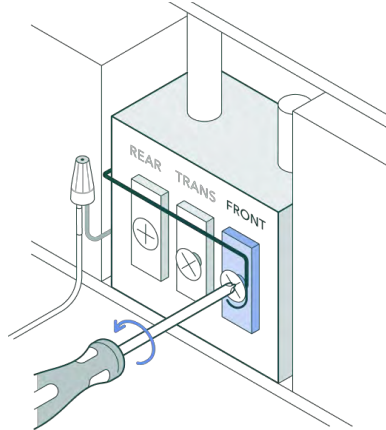
YES

NO

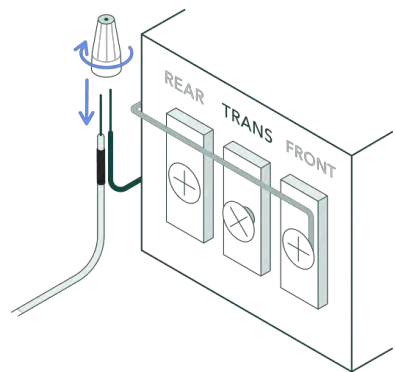
Installation Process – Chime Box Wiring (Path A)



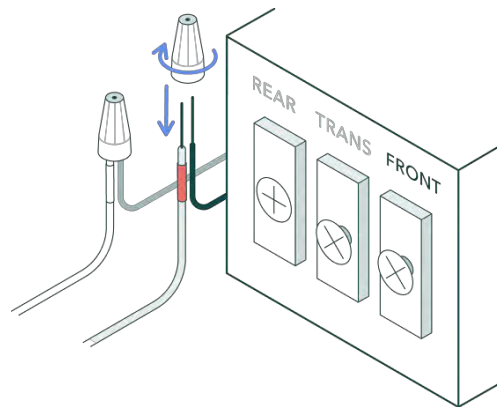
5A: Disconnect the TRANS wire.



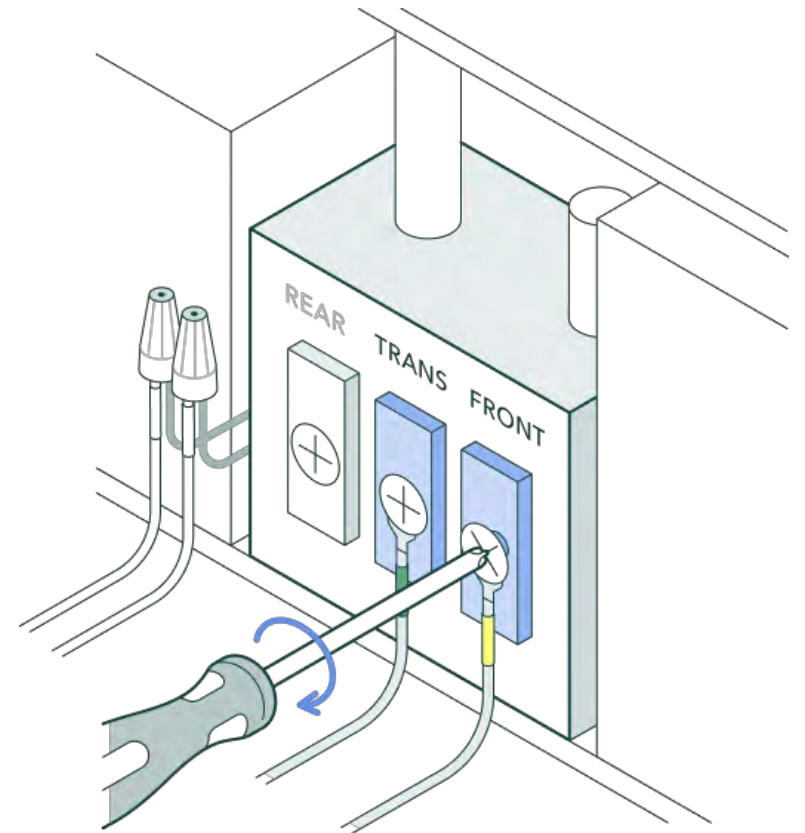
7A: Disconnect the FRONT wire.



6A: Connect the chime adapter's black wire with the TRANS wire.



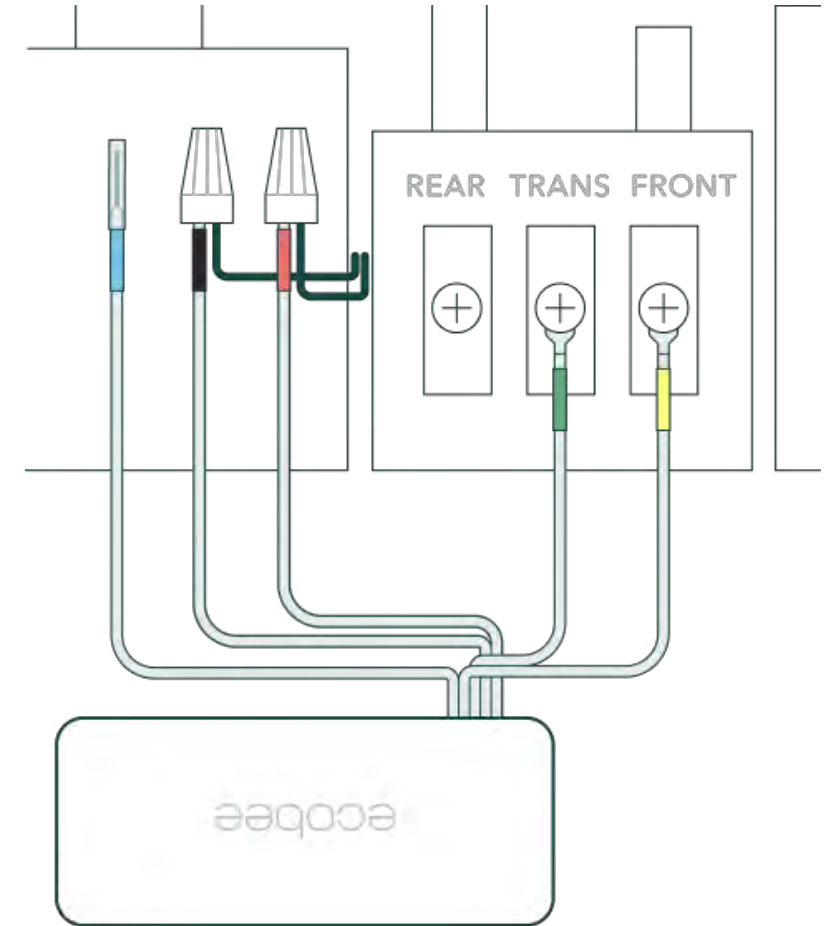
8A: Connect the chime adapter's red wire with the FRONT wire.



9A: Connect the U-wires to the TRANS and FRONT terminals. The order and color of the wires do not matter. Attach one of the U-wires to the TRANS terminal and the other to the FRONT terminal. Tighten the terminal screws.

Installation Process – Chime Box Wiring (Path A)

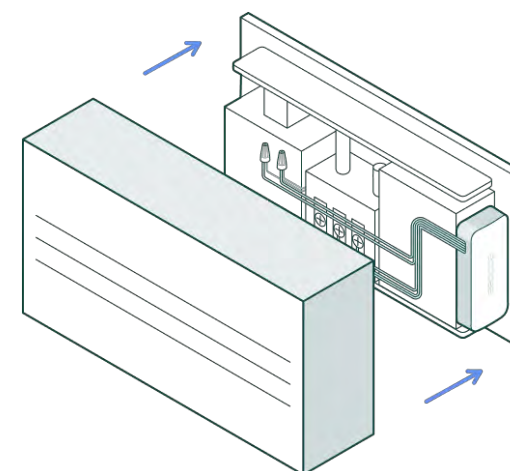
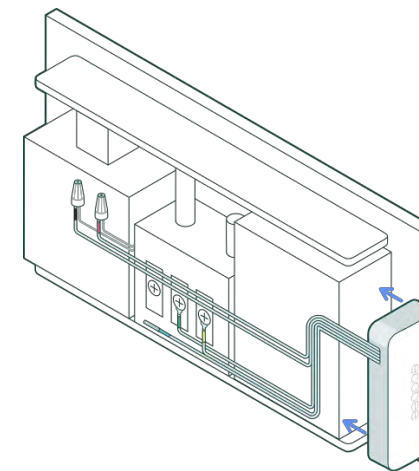
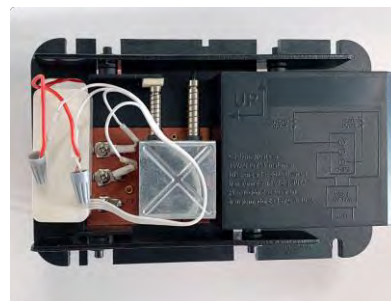
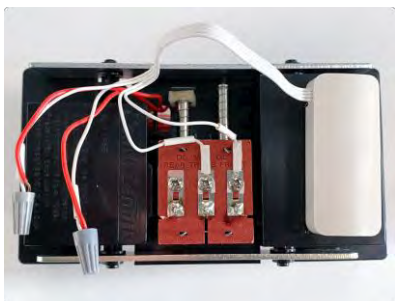
This is the wiring setup for homes with one doorbell. Double-check the Chime Box Wiring Setup and confirm they are secure.



Installation Process – Chime Box Wiring (Path A)

13B. Attach the Chime Adapter

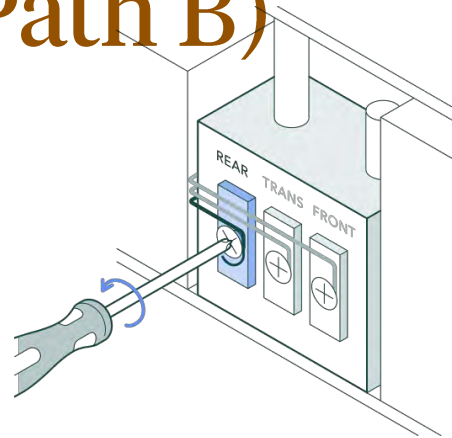
Find a spot for the chime adapter where it will not impact the sound of the doorbell. Use the adhesive on the back of the chime adapter to secure it. See examples below



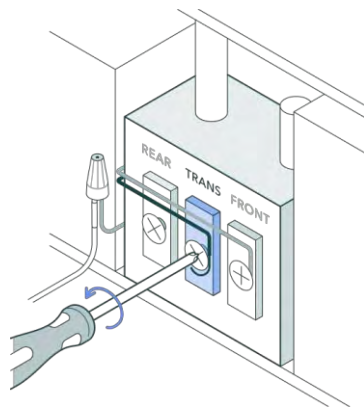
14B: Put the cover back on & organize the wires so they do not interfere with the chime mechanism.

Proceed to
installing the
ecobee Smart
Doorbell Camera

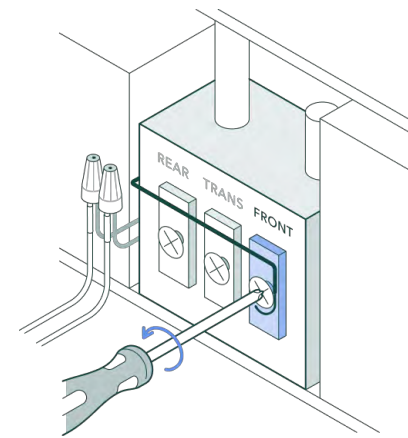
Installation Process – 1+ Doorbell – Chime Box Wiring (Path B)



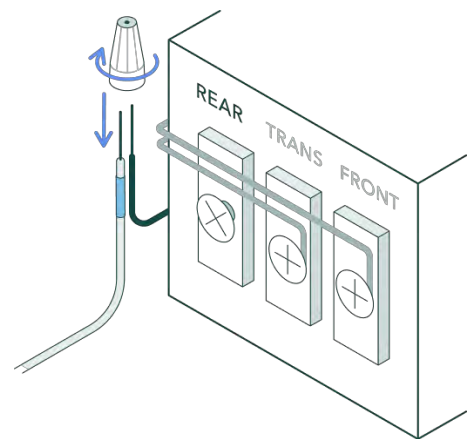
5B: Disconnect the Rear Wire:



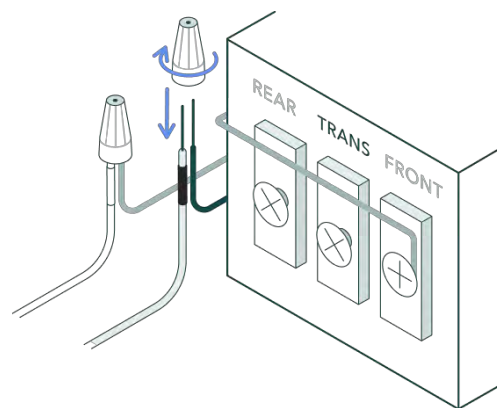
7B: Disconnect the Trans Wire:



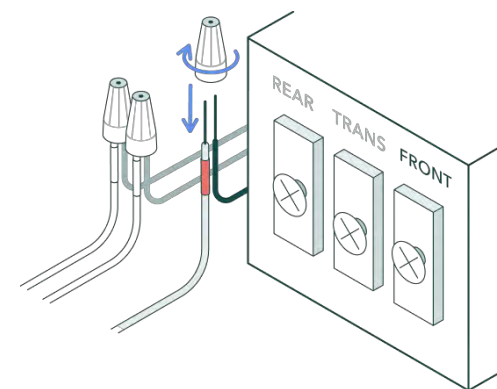
9B: Disconnect the Front Wire:



6B: Connect the chime adapter's blue wire with the Rear wire



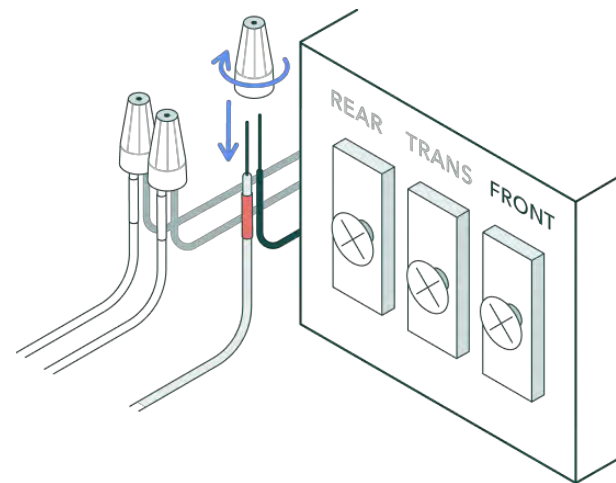
8B: Connect the chime adapter's blue wire with the Trans wire



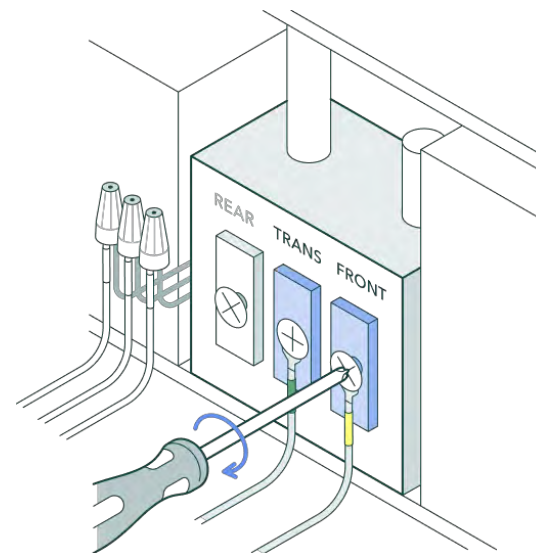
10B: Connect the chime adapter's blue wire with the Front wire

Installation Process – 1+ Doorbell – Chime Box Wiring (Path B)

11B: Connect the chime adapter's red wire with the FRONT wire

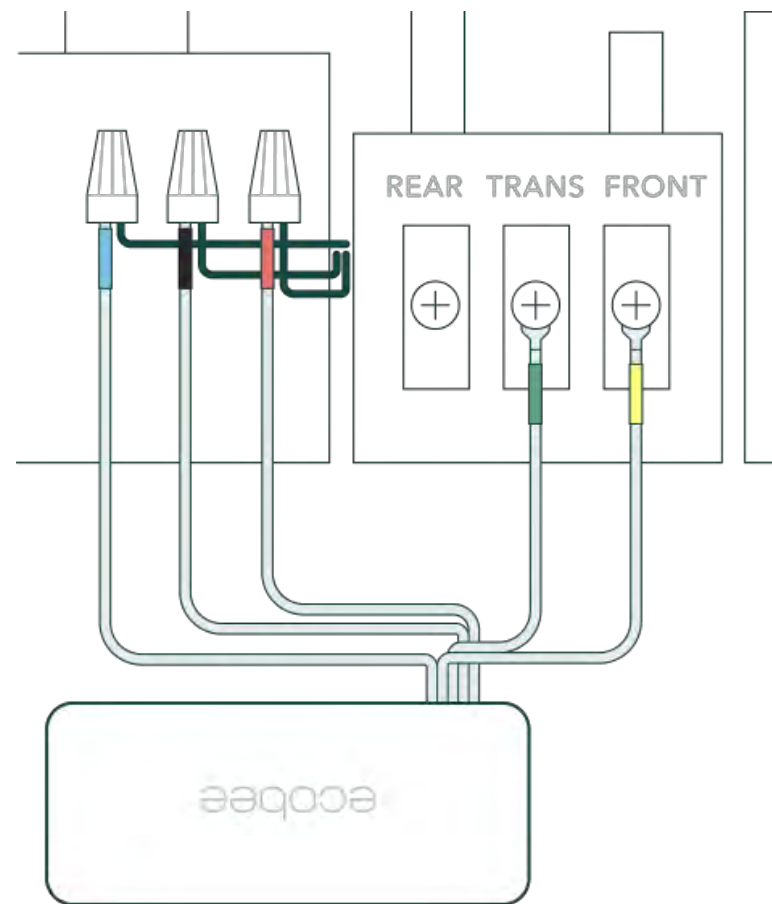


12B: Connect the U-wires to the TRANS and FRONT terminals



Installation Process – 1+ Doorbell – Chime Box Wiring (Path B)

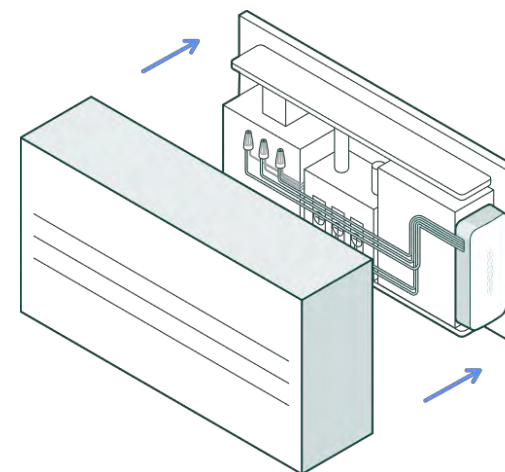
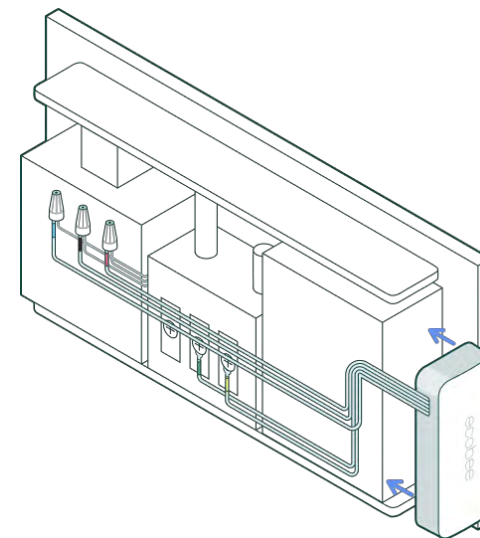
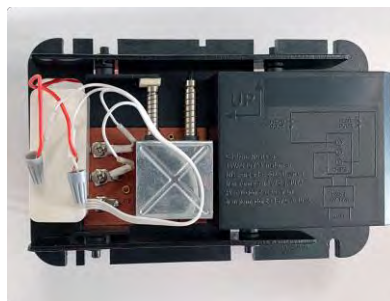
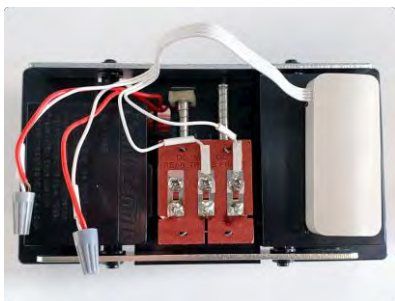
This is the wiring setup for homes with more than one doorbell. Double-check the Chime Box Wiring Setup and confirm they are secure.



Installation Process – 1+ Doorbell – Chime Box Wiring (Path B)

13B. Attach the Chime Adapter:

Find a spot for the chime adapter where it will not impact the sound of the doorbell. Use the adhesive on the back of the chime adapter to secure it. See examples below

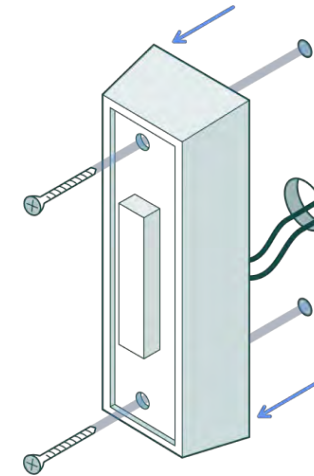


14B: Put the cover back on & organize the wires so they do not interfere with the chime mechanism.

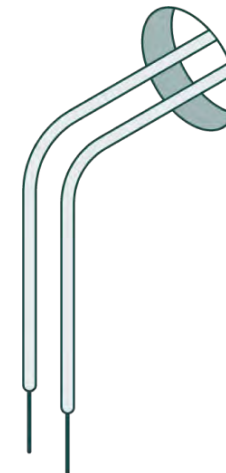
Proceed to installing the ecobee Smart Doorbell Camera

Installation Process – Doorbell

1. Remove Old Doorbell



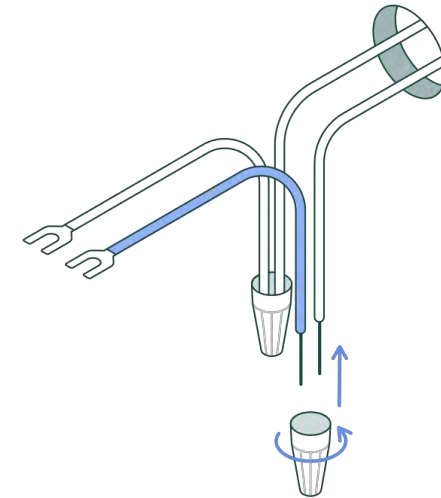
2. Disconnect and bend the wires



Installation Process – Doorbell

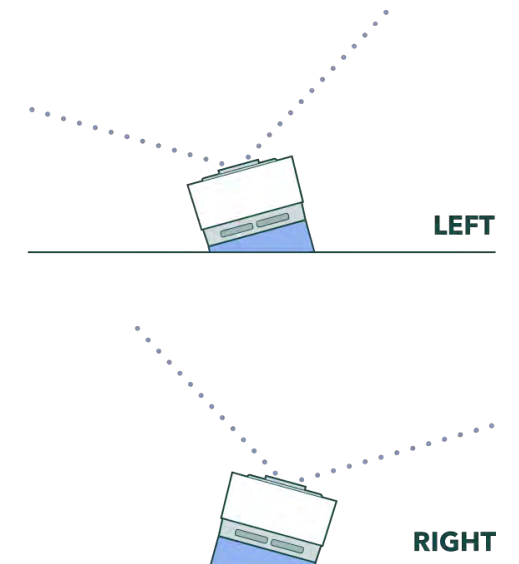
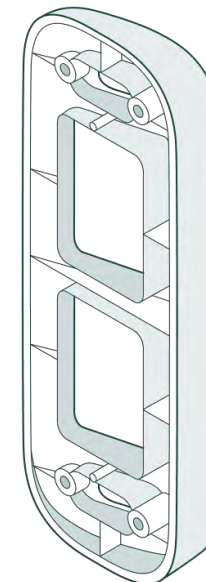
3. Attach the wire extenders

Twist the exposed portion of the wire extender and one of the wires from the wall. Align the tips of the wires and screw on a wire connector. Repeat with the second wire extender.



4. Select the correct angle for the Wedge

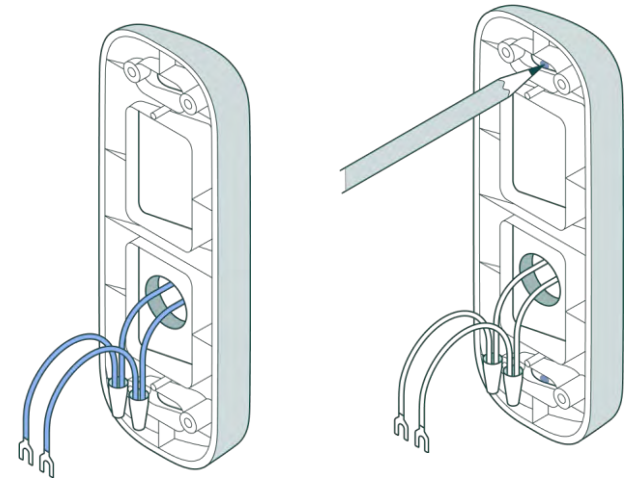
The wedge shifts the device's field of view by 15° to the left or right. Adjust your doorbell's field of view by flipping the wedge in either direction.



Installation Process – Doorbell

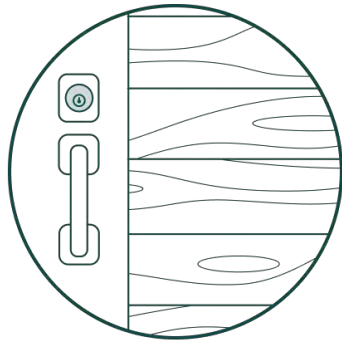
5. Align the wedge & mark the holes

Gently pull the wires through the bottom hole. Make sure the smooth side is facing the wall.

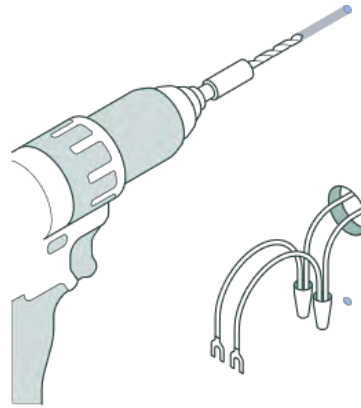


Installation Process – Doorbell

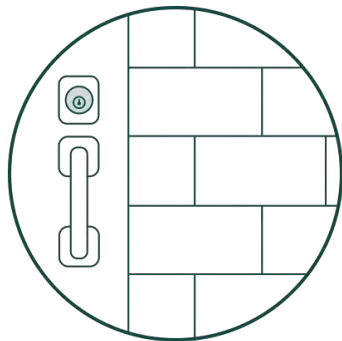
6. Are you installing on a hard or soft surface?



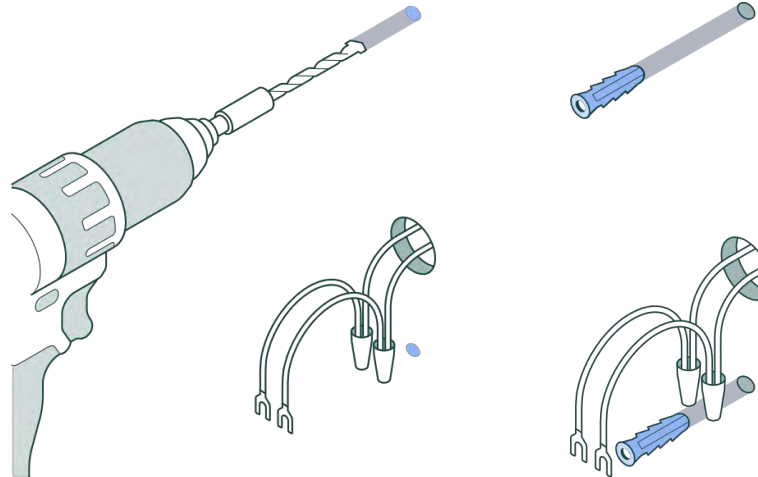
Soft (wood, siding)



Drill the holes with a 5/64" bit



Hard (brick, concrete)

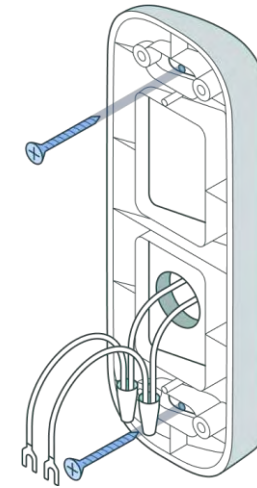


Drill the holes with a 1/4" masonry bit & insert the anchors

Installation Process – Doorbell

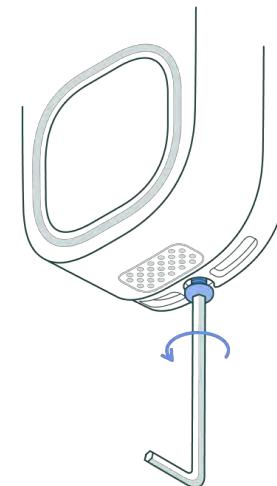
7. Attach the wedge

Align the wedge, then gently pull the wires through the bottom hole. Screw the provided long screws into the wide slots.



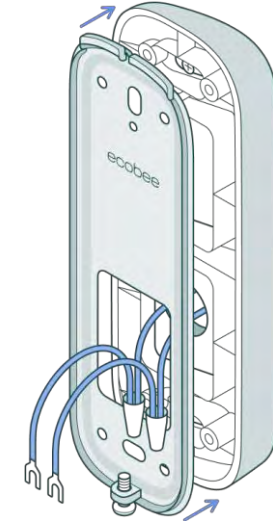
8. Detach the backplate from the doorbell

Using the provided Allen key, loosen the security screw on the bottom of the device until you can lift the backplate off. Do not fully remove the security screw.



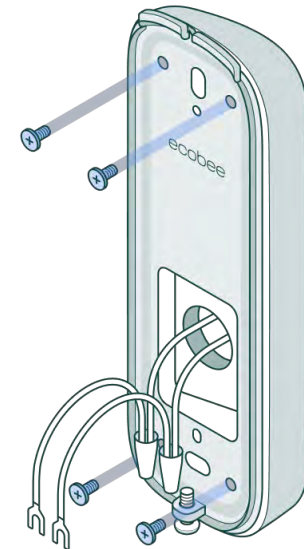
Installation Process – Doorbell

9. Guide the wires through the backplate



10. Attach the backplate to the wedge

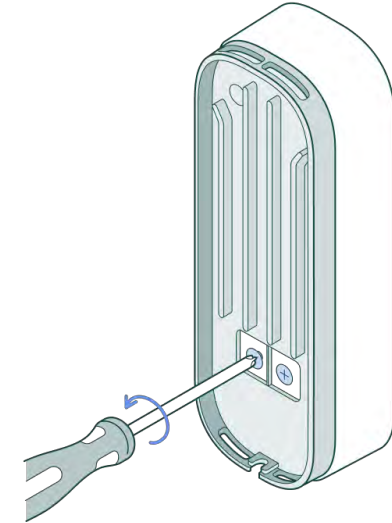
Screw the provided short screws into the smaller holes.



Installation Process – Doorbell

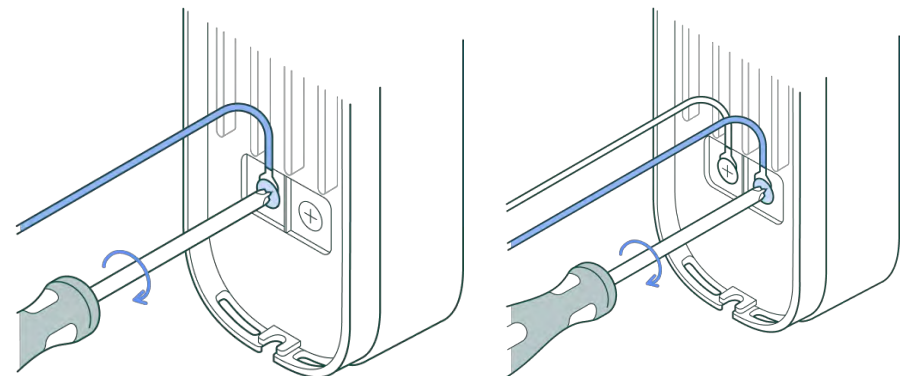
11. Loosen the terminal screws

Loosen the 2 terminal screws on the back of the doorbell. Do not remove the terminal screws.



12. Connect the U-wire to the terminal and tighten the screw

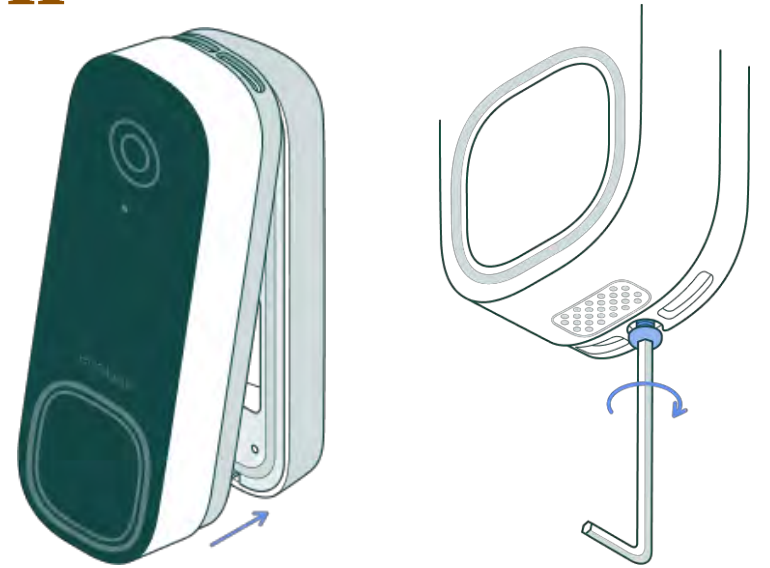
Slide the U-wire under the terminal screw, with the U-wire pointing down. The order of the wires does not matter. Tighten the terminal screw.



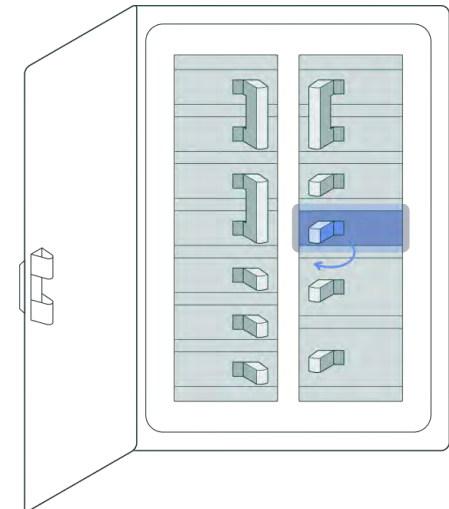
Installation Process – Doorbell

13. Hang the doorbell on the backplate & secure the doorbell.

Slide the U-wire under the terminal screw, with the U-wire pointing down. The order of the wires does not matter. Tighten the terminal screw.



14. Turn on the power for the doorbell.



Installation Process – Doorbell First Run

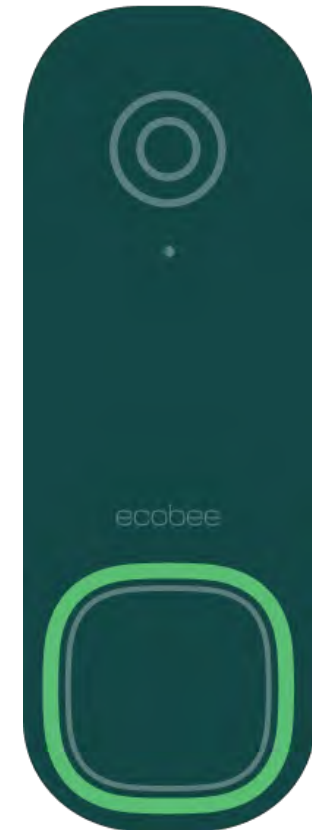
15. Is the light loop on the front of the doorbell solid green?

This may take a minute or two.

If no, try these troubleshooting steps:

1. Turn off power to your system.
2. Make sure all the wires are connected correctly. Give them a gentle tug to see if any are loose.
3. Turn the power back on and see if the doorbell has powered on.

If yes, click here to proceed



Installation Process – Doorbell First Run

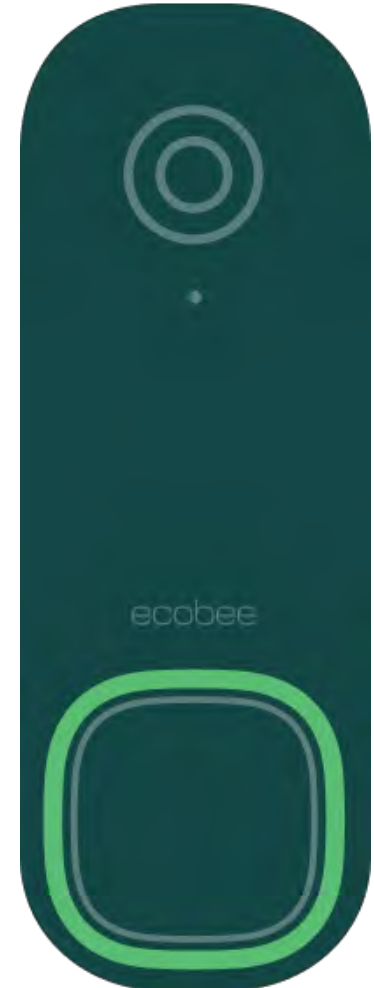
16. Ring the doorbell to test the sound

Look at the possible outcomes below.

If you can hear the in-home chime, you have successfully installed the ecobee Smart Doorbell Camera.

If you cannot hear the in-home chime, press and hold the doorbell button until the light loop flashes green 3 times. Ring the doorbell again to test the sound.

With this step, we have changed the configuration from a Mechanical Chime to a Digital Chime.



ecobee Smart Doorbell Camera

Mobile Setup

Install the ecobee app on the Homeowners
phone



iOS



Android

Login or Create an account.

