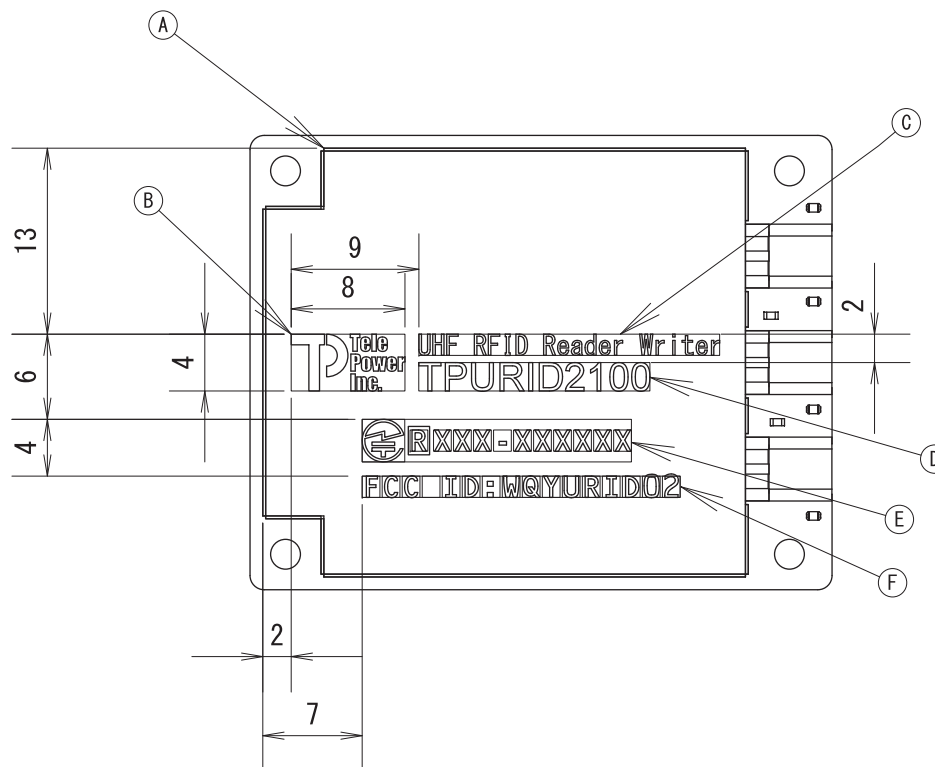


Ⓐ Shield case

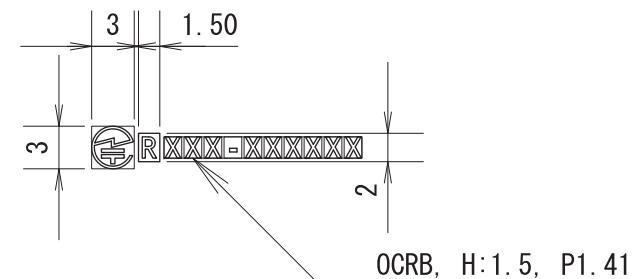
Ⓑ Company Logo
Laser mark (*1)



Ⓒ Discription
Laser mark (*1)
Font: MS Gothic
Height: 1.5
Pitch: 0.98

Ⓓ Model Name
Laser mark (*1)
Font: Arial
Height: 2.0

Ⓔ Number of Japan law
Laser mark (*1)
Change Number after certification



Ⓕ Number of FCC ID
Laser mark (*1)
Font: OCRB
Height: 1.5
Pitch: 1.41

(*1) Durable for the expected life of the product

Label layout drawing