

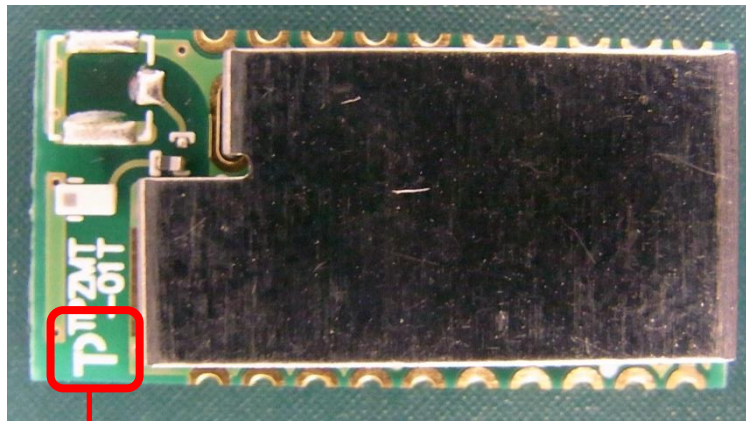
Display details of a certificate label

MTBLE-01

'FCC ID' is displayed by either method of following (1) to (4).

※The following figure is image

'FCC ID' is indicated on this module. However, there is no space which indicates it larger than 4 points, it will also be indicated in a manual and the packages. Please refer to the end section of this document.



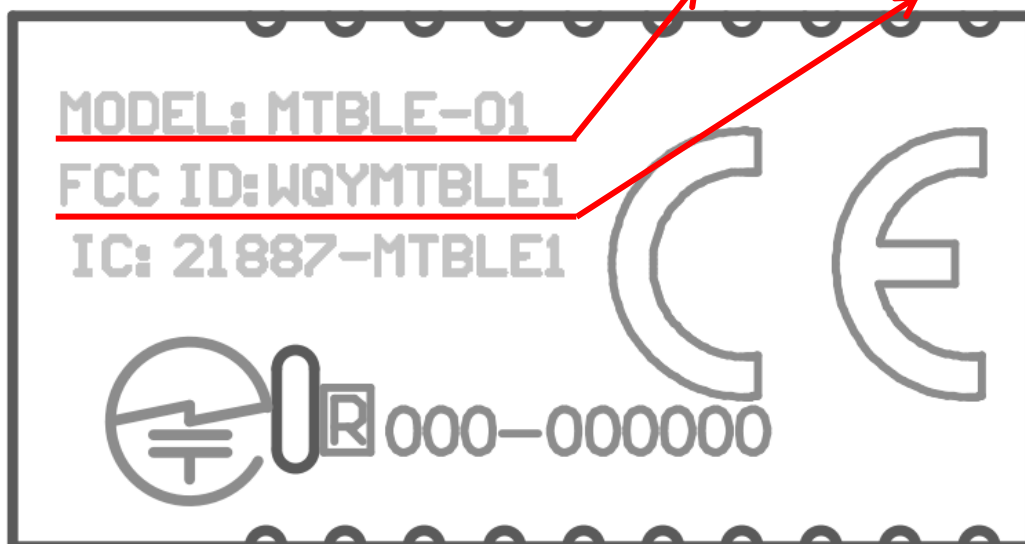
Manufacturer Identification (Trade Mark)

(1) Display silk printing

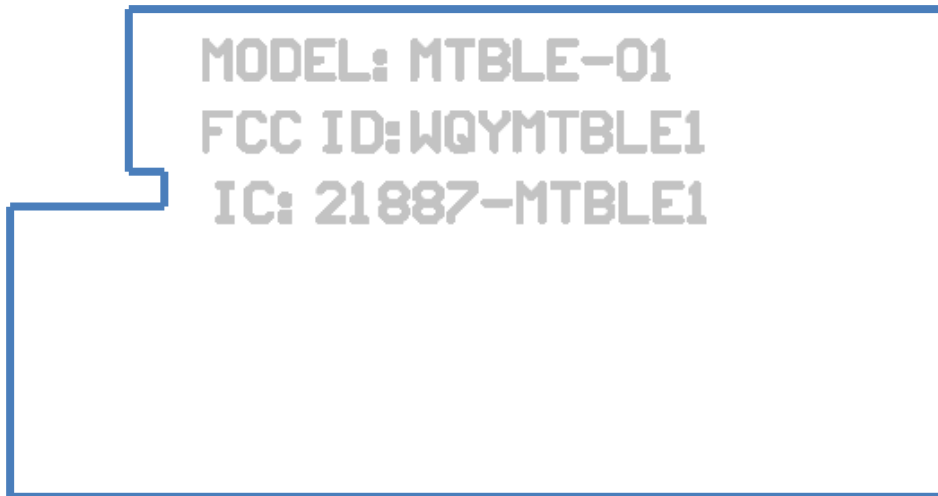
back side of the module

Model name

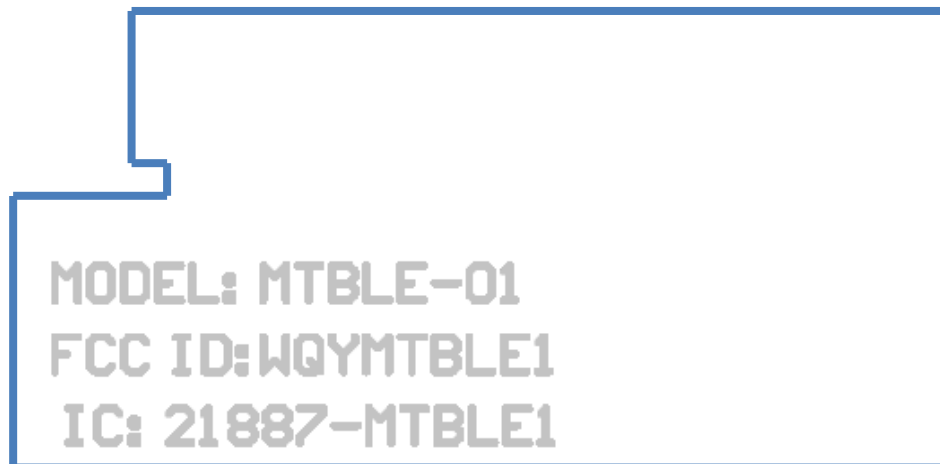
FCC ID



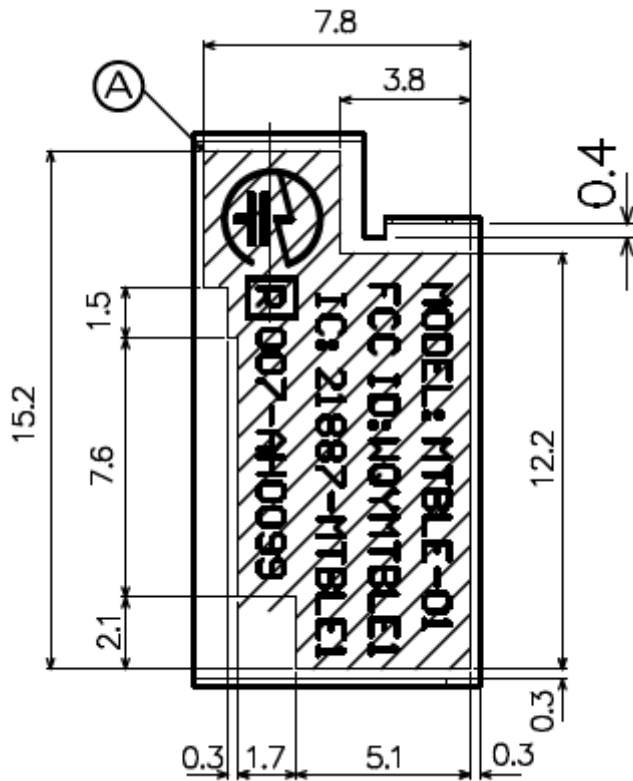
(2) Label seal pasting up side of a shield




(3) Label seal pasting bottom side of a shield

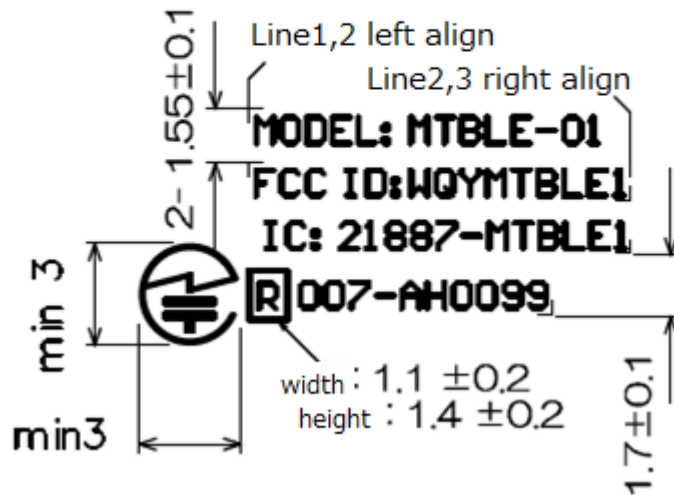


(4) Laser print to a shield



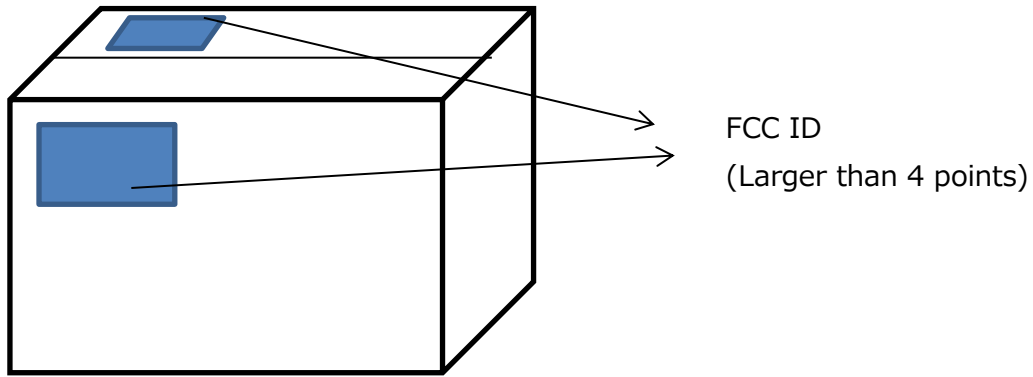
Dimension units: mm

Ⓐ Laser printing ( printing area)
 letter height 0.9 ± 0.1



Packages

'FCC ID' must be indicated at the top or side of the storage of MTBLE-01.
And the font size larger than 4 points.



Storage for MTBLE-01(e.g. tray, cardboard box)