

2.1 HD Cable PVR

2.1.1 Features

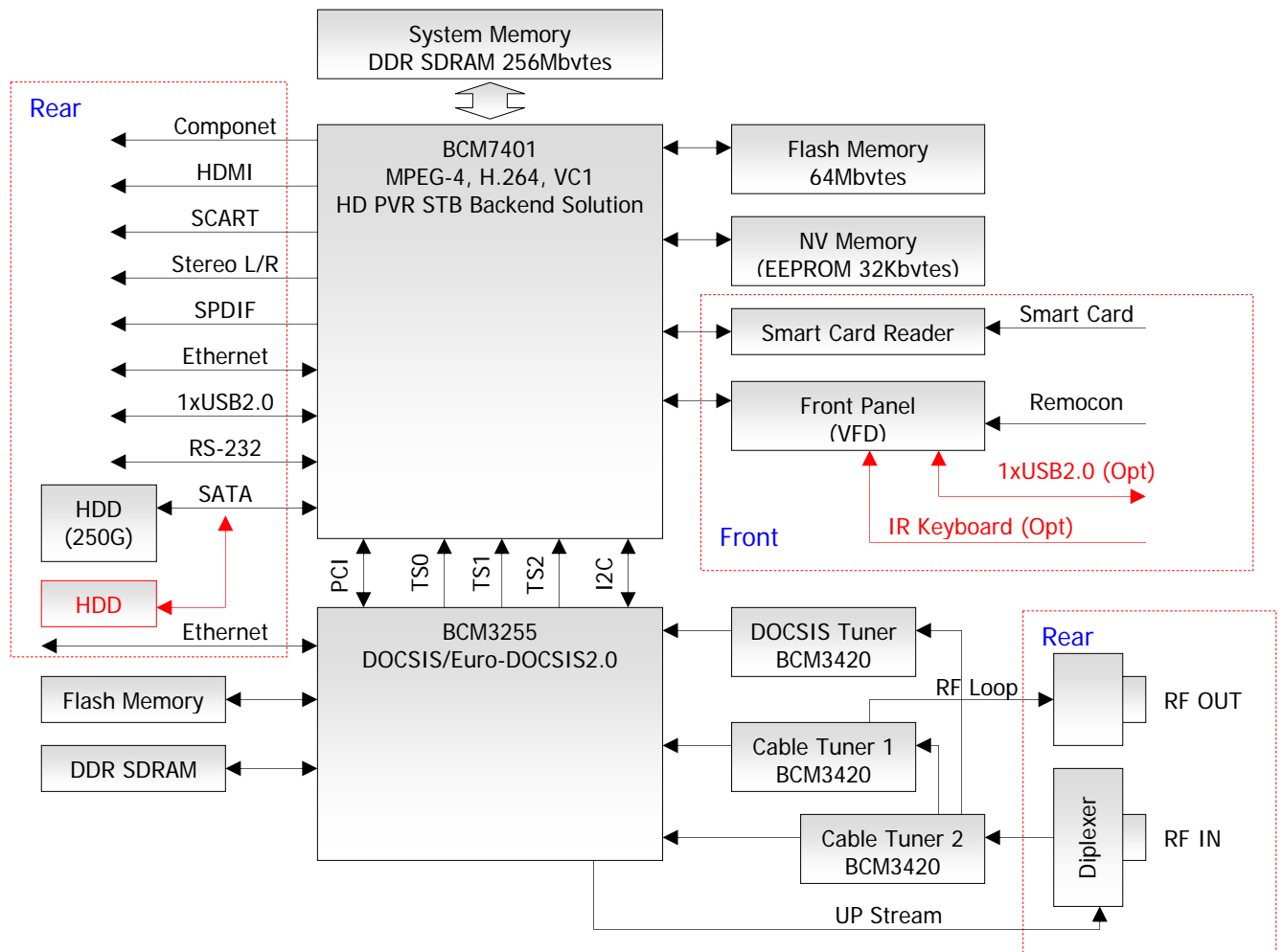
- 2 Tuner PVR integrated 250Giga Mbytes HDD (Expandable)
- Compliant MPEG-4/H.264 & Fully DVB-C (High Definition) Audio Coaxial and Optical Output - Dolby digital audio ®
- Selectable outputs AC-3 and PCM
- Selectable outputs 576I/720P/1080I display formats
- YPbPr and HDMI video Outputs
- Graphic program guide
- VFD display for Local Time or Channel No and Name
- Integrated DOCSIS 2.0 Cable Modem
- Ethernet (RJ45 Female) – Access to broadband return path or network
- Network Interface via RJ 45 between two STBs
- External SATA Connector (Option) – Connection to an external HDD
- USB 2.0 (Type A) – For connection to variety of electronic devices
- Supporting a number of leading middleware and integrated CA combinations

2.1.2 Specifications

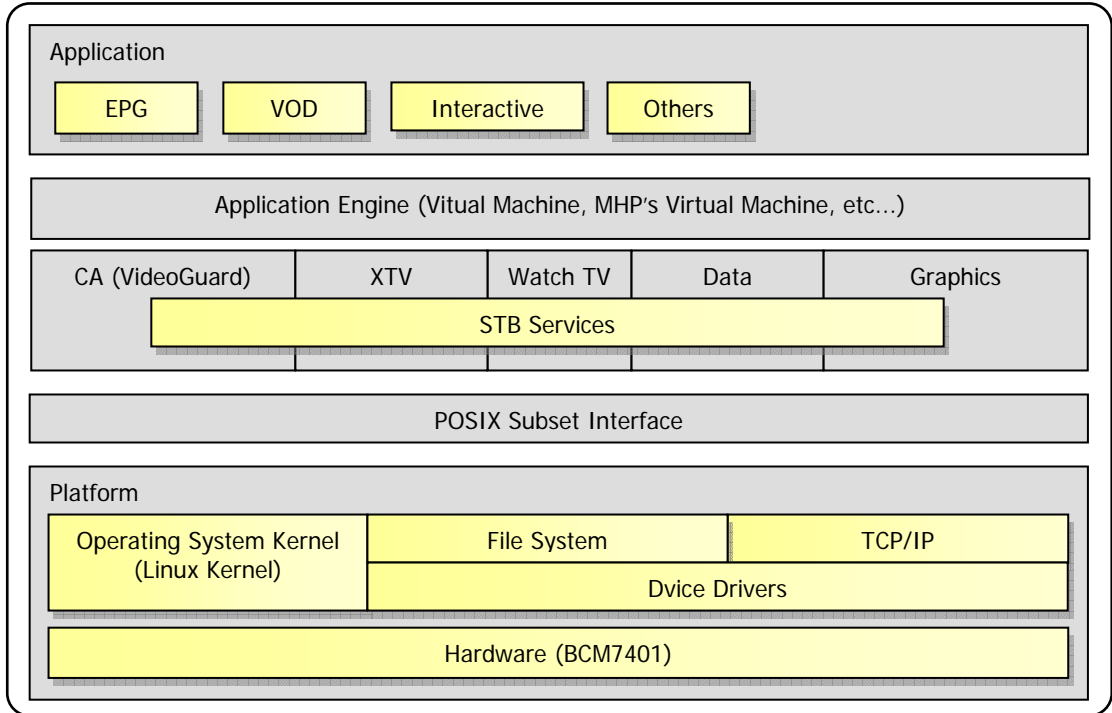
Tuner & Channel	
FEC Modes Rate	1/2, 2/3, 3/4, 5/6, 7/8
Input Connector	IEC 169-2, Female
Frequency Range	50 ~ 860MHz
Demodulation	QAM
Channel Bandwidth	7MHz, 8MHz
Constellation	16QAM, 32QAM, 64QAM, 128QAM, 256QAM
Spectral Inversion	Normal, Invert
MPEG TS A/V DECODING	
Transport Stream	MPEG-4/H.264 HP@L4.0 1920x1080 interlace@50Hz
Profile Level	MPEG-2 MP@HL, MPEG-4/AVC MP@L4
Input Rate	Max. 81 Mbit/s
Aspect Ratio	4:3, 16:9, Letter Box
Video Resolution	1920*1080i, 1280*720p, 720*576i
Audio Decoding	Dolby AC-3, AAC, MPEG-1 layers 1,2 and 3(MP3)
Audio Mode	Mono / Left / Right / Stereo
A/V & DATA INPUT/OUTPUT	
Component Y/Pb/Pr	1 set (RCA Type)
TV SCART(IEC60807-9)	RGB, Composite video and L/R Audio
Dolby Digital 5.1 CH	1 Optical, 1 Coaxial
Stereo L/R	1/1 Connector (RCA Type)
HDMI	1 Connector
DATA Port RS 232C	Transfer rate 115Kbps, 9 pin D-Sub Type
USB	1 x USB2.0 (Rear)
Ethernet	1 x RJ45 (HOST)
Integrated Cable Modem	
Euro-DOCSIS	Euro DOCSIS 2.0 10/100Base-T with Channel Bonding
Ethernet	1 x RJ45
System Resources	
Main Processor	32-bit superscalar MIPS CPU

Flash Memory	64Mbytes
Program DRAM	256Mbytes
EEPROM	32Kbytes
Power Supply	
Input Voltage	AC 90 to 250V, 50/60Hz
Power Consumption	MAX. 60W
Protection	Separate Internal Fuse
Type	SMPS
Physical Specification	
Size(W*H*D)	400 * 60 * 300(mm) (TBD)
Net Weight	Less than 4.5Kg (TBD)
Operation Temperature	0°C ~ 50°C
Storage Temperature	-20°C ~ 60°C
Main Software	
CAS	NDS Video Guard
Middleware	MediaHighway Advanced (CDI)
PVR Middleware	NDS XTV

2.1.3 Hardware Block Diagram



2.1.4 Software Block Diagram



1. Logical STB Digram

