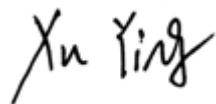


RF TEST REPORT

Applicant ID TECH
FCC ID WQJ-VP7200
Product VP7200
Brand ID TECH
Model ID72-808; ID72-808D; ID72-800; ID72-800D;
ID72-008; ID72-008D; ID72-000; ID72-000D
Report No. R2301A0064-R2
Issue Date June 15, 2023

TA Technology (Shanghai) Co., Ltd. tested the above equipment in accordance with the requirements in **FCC CFR47 Part 15C (2022)**. The test results show that the equipment tested is capable of demonstrating compliance with the requirements as documented in this report.



Prepared by: Xu Ying



Approved by: Xu Kai

TA Technology (Shanghai) Co., Ltd.

Building 3, No.145, Jintang Rd, Pudong Shanghai, P.R.China

TEL: +86-021-50791141/2/3

FAX: +86-021-50791141/2/3-8000

TABLE OF CONTENT

1. Test Laboratory	4
1.1. Notes of the Test Report	4
1.2. Test Facility	4
1.3. Testing Location	4
2. General Description of Equipment Under Test	5
2.1. Applicant and Manufacturer Information	5
2.2. General Information	5
3. Applied Standards	7
4. Test Configuration	8
5. Test Case	9
5.1. 20dB Bandwidth	9
5.2. Frequency Stability	10
5.3. Radiates Emission	12
5.4. Conducted Emission	15
6. Test Results	17
6.1. 20dB Bandwidth	17
6.2. Frequency Stability	18
6.3. Radiates Emission	19
6.4. Conducted Emission	23
7. Main Test Instruments	25
ANNEX A: The EUT Appearance	26
ANNEX B: Test Setup Photos	27

Summary of Measurement Results

Number	Test Case	Clause in FCC rules	Verdict
1	20 dB Bandwidth	2.1049	PASS
2	Frequency Stability Tolerance	15.225(e)	PASS
3	Radiated Emissions	15.225 (a) (b) (c) (d) and 15.209	PASS
4	Conducted Emissions	15.207	PASS

Date of Testing: January 17, 2023~March 4, 2023

Date of Sample Received: January 16, 2023

Note: PASS: The EUT complies with the essential requirements in the standard.

FAIL: The EUT does not comply with the essential requirements in the standard.

All indications of Pass/Fail in this report are opinions expressed by TA Technology (Shanghai) Co., Ltd. based on interpretations and/or observations of test results. Measurement Uncertainties were not taken into account and are published for informational purposes only.

1. Test Laboratory

1.1. Notes of the Test Report

This report shall not be reproduced in full or partial, without the written approval of **TA technology (shanghai) co., Ltd.** The results documented in this report apply only to the tested sample, under the conditions and modes of operation as described herein. Measurement Uncertainties were not taken into account and are published for informational purposes only. This report is written to support regulatory compliance of the applicable standards stated above. This report must not be used by the client to claim product certification, approval, or endorsement by any government agencies.

1.2. Test Facility

FCC (Designation number: CN1179, Test Firm Registration Number: 446626)

TA Technology (Shanghai) Co., Ltd. has been listed on the US Federal Communications Commission list of test facilities recognized to perform electromagnetic emissions measurements.

A2LA (Certificate Number: 3857.01)

TA Technology (Shanghai) Co., Ltd. has been listed by American Association for Laboratory Accreditation to perform electromagnetic emission measurement.

1.3. Testing Location

Company: TA Technology (Shanghai) Co., Ltd.
Address: Building 3, No.145, Jintang Rd, Pudong Shanghai, P.R.China
City: Shanghai
Post code: 201201
Country: P. R. China
Contact: Xu Kai
Telephone: +86-021-50791141/2/3
Fax: +86-021-50791141/2/3-8000
Website: <http://www.ta-shanghai.com>
E-mail: xukai@ta-shanghai.com

2. General Description of Equipment Under Test

2.1. Applicant and Manufacturer Information

Applicant	ID TECH
Applicant address	10721 Walker Street, Cypress, California 90630, United States
Manufacturer	ID TECH TAIWAN
Manufacturer address	No. 16, Lane 22, GaoQing Rd., YanMei Dist., TaoYuan City 326, Taiwan

2.2. General Information

EUT Description	
Model	ID72-808; ID72-808D; ID72-800; ID72-800D; ID72-008; ID72-008D; ID72-000; ID72-000D
SN	252T027593
Hardware Version	Rev.A
Software Version	v1.00
Power Supply	External power supply
Antenna Type	Internal Antenna
Test Mode	NFC
Modulation Type	ASK
Operating Frequency Range(s)	13.56MHz
Rated Power Supply Voltage	5.0 V
Operating Voltage	Minimum: 4.75 V Maximum: 5.25 V
Operating Temperature	Lowest: -35 °C Highest: +70 °C
Testing Temperature	Lowest: -35 °C Highest: +70 °C
Note: 1. The EUT is sent from the applicant to TA and the information of the EUT is declared by the applicant.	

Model No:	camera	Ethernet	Others
ID72-808; ID72-808D (This two models just have difference key)	YES	YES	All the same
ID72-008; ID72-008D (This two models just have difference key)	NO	YES	
ID72-800; ID72-800D (This two models just have difference key)	YES	NO	
ID72-000; ID72-000D (This two models just have difference key)	NO	NO	
Note: 1. The key is related to the transaction. 2. This report only recorded the model ID72-808D.			

3. Applied Standards

According to the specifications of the manufacturer, it must comply with the requirements of the following standards:

Test standards:

FCC CFR47 Part 15C (2022)

ANSI C63.10-2013

Reference standard:

FCC CFR47 Part 2 (2022)

4. Test Configuration

Test Mode

The EUT has been associated with peripherals and configuration operated in a manner tended to maximize its emission characteristics in a typical application.

5. Test Case

5.1. 20dB Bandwidth

Ambient Condition

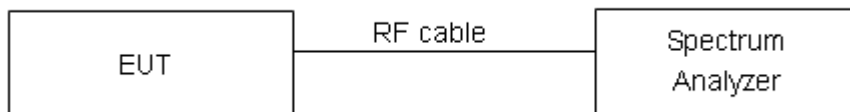
Temperature	Relative humidity
20°C ~25°C	45%~50%

Method of Measurement

The EUT was connected to the spectrum analyzer through an external attenuator (20dB) and a known loss cable. RBW is set to 10 kHz; VBW is set to 3 times the RBW on spectrum analyzer.

Note: Because the measured signal is CW or CW-like adjusting the RBW per C63.10 would not be practical since measured bandwidth will always follow the RBW and the result will be approximately twice the RBW.

Test Setup



Limits

No specific occupied bandwidth requirements in part 2.1049.

Measurement Uncertainty

The assessed measurement uncertainty to ensure 95% confidence level for the normal distribution is with the coverage factor $k = 2$, $U = 936$ Hz.

Test Results

Refer to the section 6.1 of this report for test data.

5.2. Frequency Stability

Ambient Condition

Temperature	Relative humidity
20°C ~25°C	40%~60%

Method of Measurement

1. Frequency Stability (Temperature Variation)

The temperature inside the climate chamber is varied from -20°C to +50°C in 10°C step size,

(1) With all power removed, the temperature was decreased to 0°C and permitted to stabilize for three hours.

(2) Measure the carrier frequency with the test equipment in a “call mode”. These measurements should be made within 1 minute of powering up the mobile station, to prevent significant self warming.

(3) Repeat the above measurements at 10°C increments from -20°C to +50°C. Allow at least 1.5 hours at each temperature, un-powered, before making measurements.

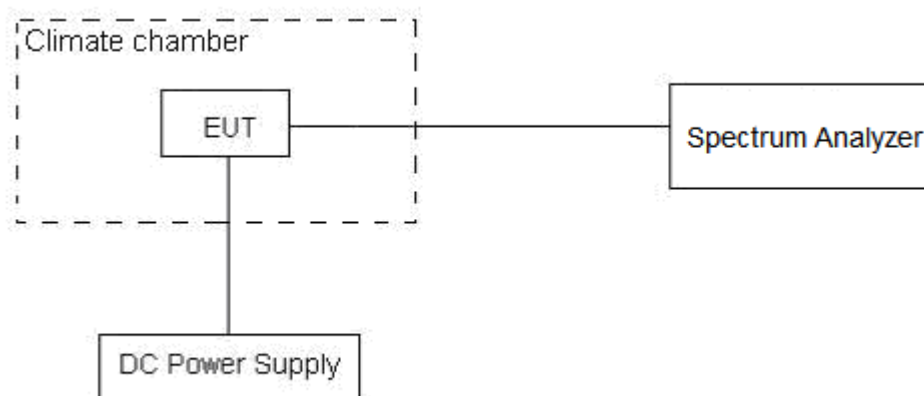
2. Frequency Stability (Voltage Variation)

The frequency stability shall be measured with variation of primary supply voltage as follows:

Primary Supply Voltage: The primary supply voltage is varied from 85% to 115% of the nominal value for non hand-carried battery and AC powered equipment. For hand-carried, battery-powered equipment, primary supply voltage is reduced to the battery operating end point which shall be specified by the manufacturer.

This transceiver is specified to operate with an input voltage of between 4.75 V and 5.25 V, with a nominal voltage of 5.0V.

Test Setup



Limits

Rule Part 15.225 (e) The frequency tolerance of the carrier signal shall be maintained within $\pm 0.01\%$ of the operating frequency over a temperature variation of -20 degrees to $+ 50$ degrees C at normal supply voltage, and for a variation in the primary supply voltage from 85% to 115% of the rated supply voltage at a temperature of 20 degrees C. For battery operated equipment, the equipment tests shall be performed using a new battery.

Measurement Uncertainty

The assessed measurement uncertainty to ensure 99.75% confidence level for the normal distribution is with the coverage factor $k = 3$, $U = 0.01\text{ppm}$.

Test Results

Refer to the section 6.2 of this report for test data.

5.3. Radiates Emission

Ambient Condition

Temperature	Relative humidity
20°C ~25°C	45%~50%

Method of Measurement

The test set-up was made in accordance to the general provisions of ANSI C63.10. The Equipment Under Test (EUT) was set up on a non-conductive table in the semi-anechoic chamber. The test was performed at the distance of 3 m between the EUT and the receiving antenna. The radiated emissions measurements were made in a typical installation configuration.

Sweep the whole frequency band through the range from 9 kHz to the 10th harmonic of the carrier, and the emissions less than 20 dB below the permissible value are reported.

During the test, below 30MHz, the center of the loop shall be 1 meters; above 30MHz, the height of receive antenna shall be moved from 1 to 4 meters, and the antenna shall be performed under horizontal and vertical polarization. The turntable shall be rotated from 0 to 360 degrees for detecting the maximum of radiated spurious signal level. The measurements shall be repeated with orthogonal polarization of the test antenna. The data of cable loss and antenna factor has been calibrated in full testing frequency range before the testing.

Set the spectrum analyzer in the following:

Out-of-band

Below 30MHz

RBW=9KHz, VBW=30KHz, detector=peak;

Above 30MHz,

RBW=100KHz, VBW=300KHz, Detector=peak

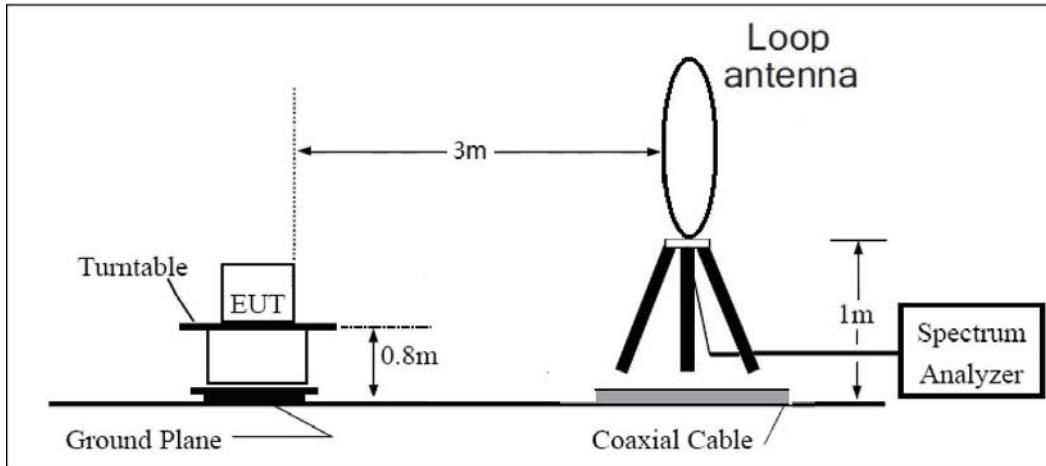
In-band

RBW=9KHz, VBW=30KHz, detector=peak;

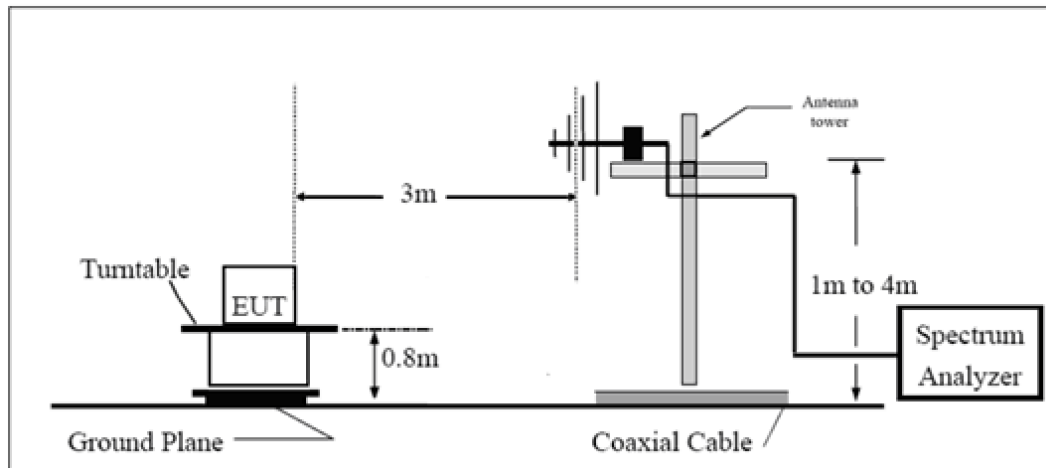
The field strength of spurious emission was measured in the following position: EUT stand-up position (Z axis), lie-down position (X, Y axis). The worst emission was found in lie-down position (X axis) and the loop antenna is vertical, the other antennas are vertical and horizontal.

Test Setup

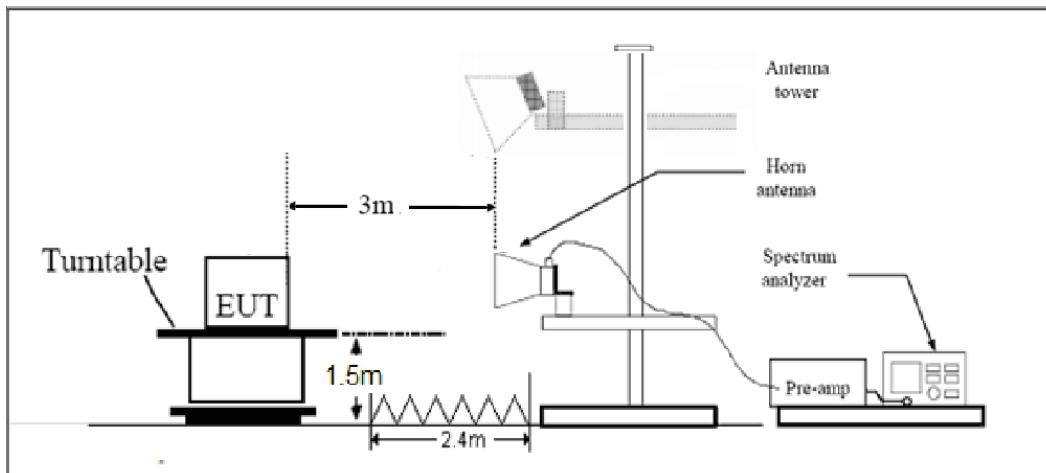
9KHz~ 30MHz



30MHz~ 1GHz



Above 1GHz



Note: Area side:2.4mX3.6m

Limits

Clause 15.225(a) the field strength of any emissions within the band 13.553-13.567 MHz shall not exceed 15,848 microvolts/meter at 30 meters.

Clause 15.225(b) within the bands 13.410-13.553 MHz and 13.567-13.710 MHz, the field strength of any emissions shall not exceed 334 microvolts/meter at 30 meters.

Clause 15.225(c) within the bands 13.110-13.410 MHz and 13.710-14.010 MHz the field strength of any emissions shall not exceed 106 microvolts/meter at 30 meters.

Clause 15.225(d) The field strength of any emissions appearing outside of the 13.110-14.010 MHz band shall not exceed the general radiated emission limits in §15.209.

§15.209 (a) Except as provided elsewhere in this subpart, the emissions from an intentional radiator shall not exceed the field strength levels specified in the following table:

Frequency of emission (MHz)	Field strength(μV/m)	Field strength(dBμV/m)
0.009–0.490	2400/F(kHz)	128.519dBμV/m -93.8dBμV/m
0.490–1.705	24000/F(kHz)	73.8dB dBμV/m -62.969dBμV/m
1.705–30.0	30	69.5 dBμV/m
30-88	100	40 dBμV/m
88-216	150	43.5 dBμV/m
216-960	200	46 dBμV/m
Above960	500	54 dBμV/m

When using other measurement distance, according to the standard C63.10, If that point is closer to the EUT than $\lambda/2\pi$ and the limit distance is greater than $\lambda/2\pi$, the data was extrapolated to the specified measurement distance of 30m using extrapolation factor as specified in §6.4.4.2. Extrapolation Factor = $40\log(d \text{ near filed}/ d \text{ measure }) + 20\log(d \text{ limit} / d \text{ near filed})$

**Except as provided in paragraph (g), fundamental emissions from intentional radiators operating under this section shall not be located in the frequency bands 54-72 MHz, 76-88 MHz, 174-216 MHz or 470-806 MHz. However, operation within these frequency bands is permitted under other sections of this part, e.g., §§15.231 and 15.241.

§15.209 (b) In the emission table above, the tighter limit applies at the band edges.

§15.209 (d) The emission limits shown in the above table are based on measurements employing a CISPR quasi-peak detector except for the frequency bands 9-90 kHz, 110-490 kHz and above 1000 MHz. Radiated emission limits in these three bands are based on measurements employing an average detector.

Measurement Uncertainty

The assessed measurement uncertainty to ensure 95% confidence level for the normal distribution is with the coverage factor $k = 1.96$.

Frequency	Uncertainty
9KHz-30MHz	3.55 dB
30MHz-200MHz	4.02 dB
200MHz-1GHz	3.28 dB
Above 1GHz	3.70 dB

Test Results

Refer to the section 6.3 of this report for test data.

5.4. Conducted Emission

Ambient Condition

Temperature	Relative humidity
20°C ~25°C	45%~50%

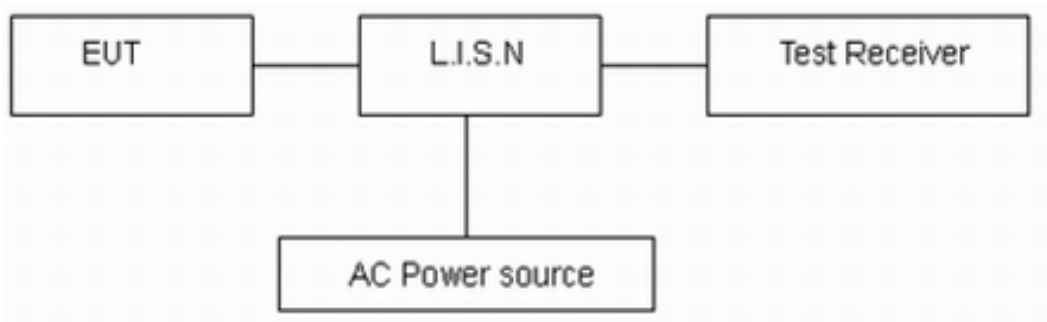
Methods of Measurement

The EUT is placed on a non-metallic table of 80cm height above the horizontal metal reference ground plane. During the test, the EUT was operating in its typical mode. The test method is according to ANSI C63.10. Connect the AC power line of the EUT to the L.I.S.N. Use EMI receiver to detect the average and Quasi-peak value. RBW is set to 9 kHz, VBW is set to 30kHz.

The measurement result should include both L line and N line.

The test is in transmitting mode.

Test Setup



Note: AC Power source is used to change the voltage 110V/60Hz.

Limits

§15.207 (a) Except as shown in paragraphs (b) and (c) of this section, for an intentional radiator that is designed to be connected to the public utility (AC) power line, the radio frequency voltage that is conducted back onto the AC power line on any frequency or frequencies, within the band 150 kHz to 30 MHz, shall not exceed the limits in the following table, as measured using a 50 μH/50 ohms line impedance stabilization network (LISN). Compliance with the provisions of this paragraph shall be based on the measurement of the radio frequency voltage between each power line and ground at the power terminal. The lower limit applies at the boundary between the frequency ranges.

Frequency (MHz)	Conducted Limits(dBμV)	
	Quasi-peak	Average
0.15 - 0.5	66 to 56 *	56 to 46 *
0.5 - 5	56	46
5 - 30	60	50

*: Decreases with the logarithm of the frequency.

Measurement Uncertainty

The assessed measurement uncertainty to ensure 95% confidence level for the normal distribution is with the coverage factor $k = 1.96$, $U = 2.69$ dB.

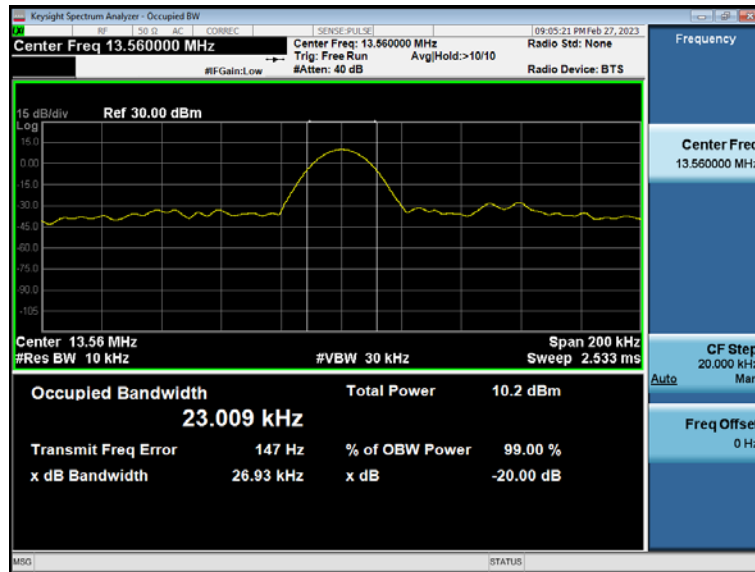
Test Results

Refer to the section 6.4 of this report for test data.

6. Test Results

6.1. 20dB Bandwidth

Carrier frequency (MHz)	99% Bandwidth (kHz)	20dB Bandwidth (kHz)	Conclusion
13.56MHz	23.009	26.93	PASS



6.2. Frequency Stability

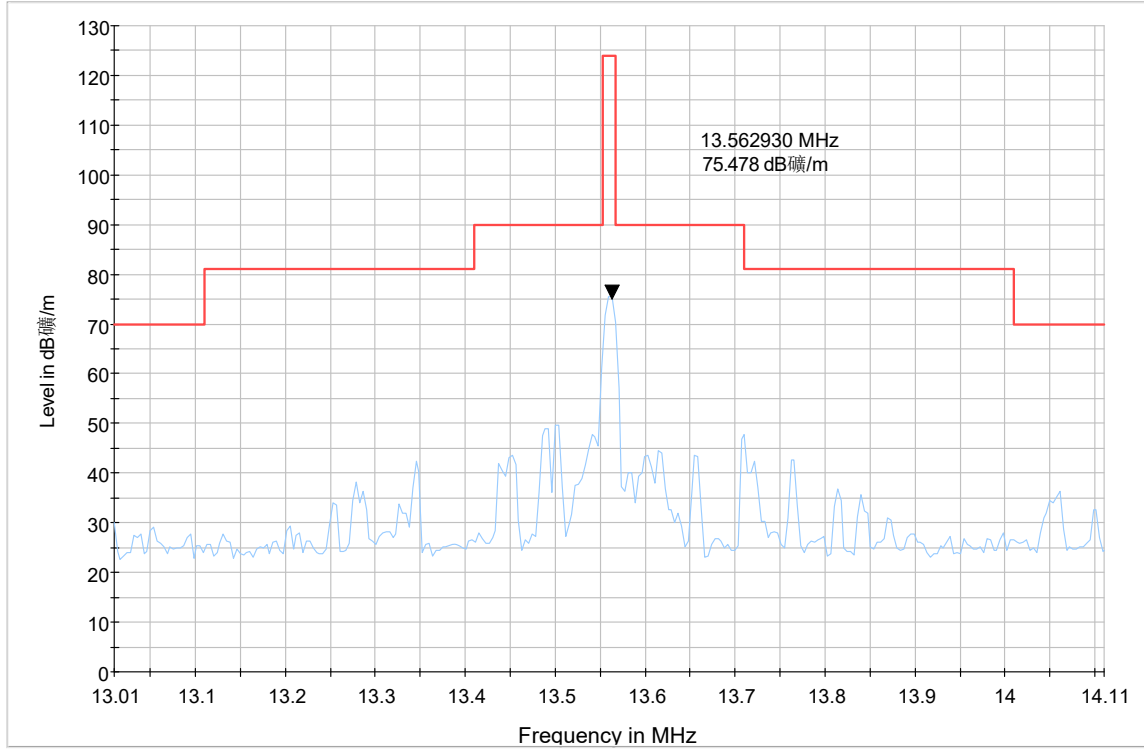
Test status	Frequency				Tolerance (MHz)			
	13.56MHz							
	1min	2min	5min	10min	1min	2min	5min	10min
-20°C/5 V	13.559352	13.559338	13.559348	13.559337	0.000648	0.000662	0.000652	0.000663
-10°C/5 V	13.559350	13.559333	13.559347	13.559329	0.000650	0.000667	0.000653	0.000671
0°C/5 V	13.559349	13.559327	13.559344	13.559319	0.000651	0.000673	0.000656	0.000681
10°C/5 V	13.559345	13.559322	13.559338	13.559316	0.000655	0.000678	0.000662	0.000684
20°C/5 V	13.559339	13.559317	13.559337	13.559309	0.000661	0.000683	0.000663	0.000691
30°C/5 V	13.559332	13.559308	13.559327	13.559299	0.000668	0.000692	0.000673	0.000701
40°C/5 V	13.559325	13.559302	13.559322	13.559296	0.000675	0.000698	0.000678	0.000704
50°C/5 V	13.559317	13.559297	13.559320	13.559293	0.000683	0.000703	0.000680	0.000707
20°C/4.75 V	13.559310	13.559291	13.559315	13.559288	0.000690	0.000709	0.000685	0.000712
20°C/5.25 V	13.559308	13.559283	13.559312	13.559283	0.000692	0.000717	0.000688	0.000717

Test status	Tolerance (%)				Limit (%)	Conclusion
	1min	2min	5min	10min		
-20°C/5 V	0.004779	0.004882	0.004808	0.004889	0.01	PASS
-10°C/5 V	0.004794	0.004919	0.004816	0.004948	0.01	PASS
0°C/5 V	0.004801	0.004963	0.004838	0.005022	0.01	PASS
10°C/5 V	0.004830	0.005000	0.004882	0.005044	0.01	PASS
20°C/5 V	0.004875	0.005037	0.004889	0.005096	0.01	PASS
30°C/5 V	0.004926	0.005103	0.004963	0.005170	0.01	PASS
40°C/5 V	0.004978	0.005147	0.005000	0.005192	0.01	PASS
50°C/5 V	0.005037	0.005184	0.005015	0.005214	0.01	PASS
20°C/4.75 V	0.005088	0.005229	0.005052	0.005251	0.01	PASS
20°C/5.25 V	0.005103	0.005288	0.005074	0.005288	0.01	PASS

6.3. Radiates Emission

A symbol (dB_{μV/m}) in the test plot below means (dB_{μV/m})

In-band

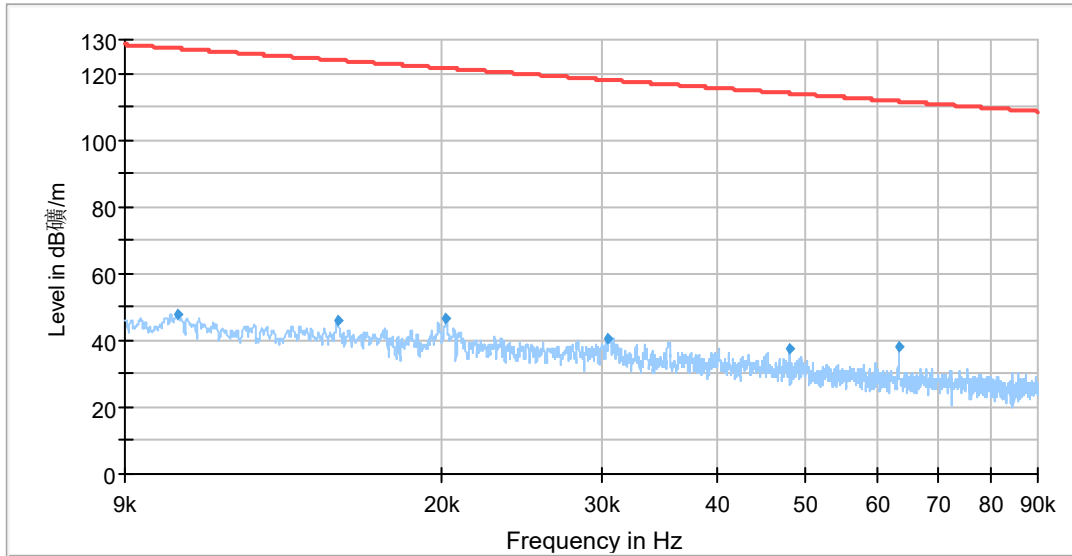


Radiates Emission from 13.01MHz to 14.11MHz

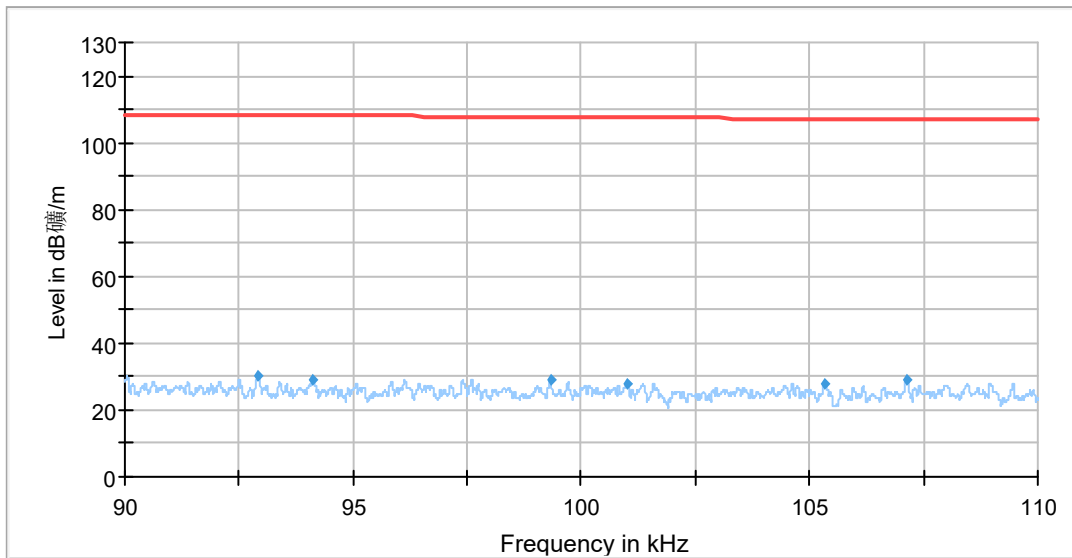
Note: This graph displays the maximum values of horizontal and vertical by software

Out-of-band

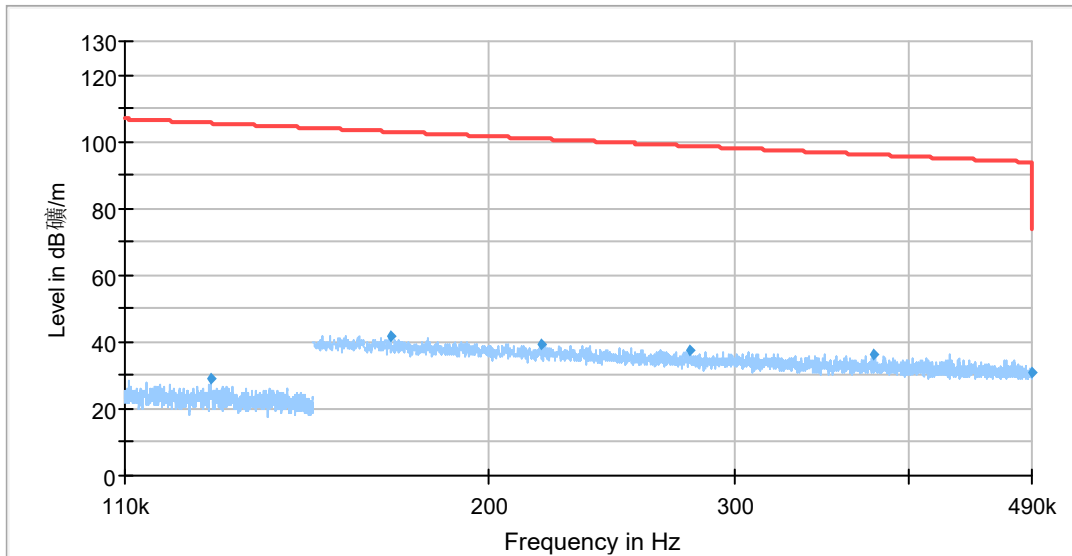
The following graphs display the maximum values of horizontal and vertical by software.
 For above 1GHz, Blue trace uses the peak detection, Green trace uses the average detection.



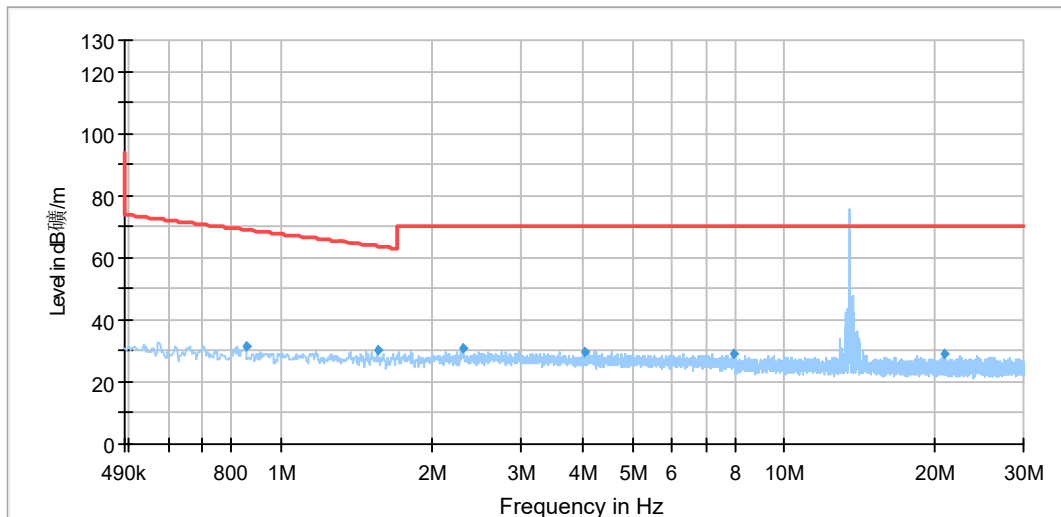
Radiates Emission from 9kHz to 90kHz



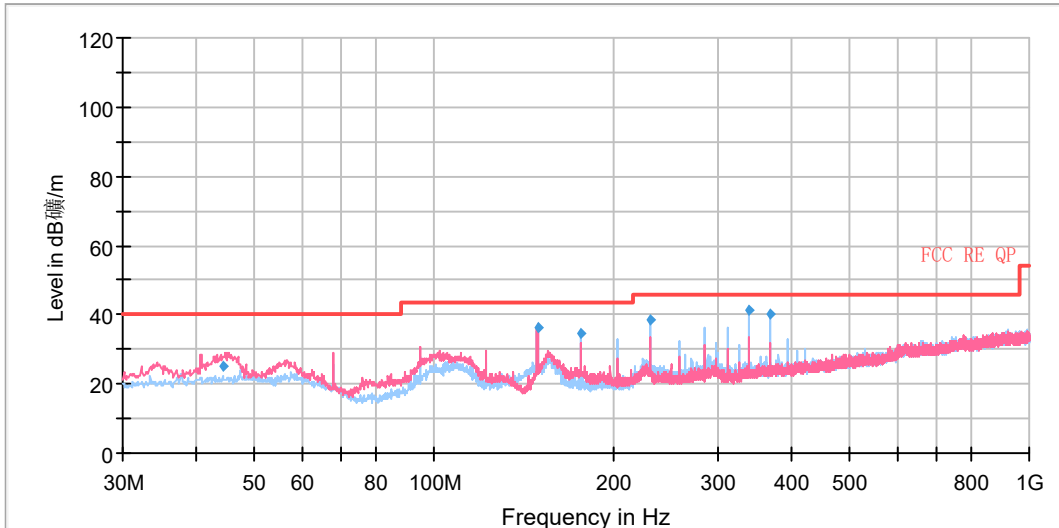
Radiates Emission from 90kHz to 110kHz



Radiates Emission from 110 kHz to 490kHz



Note: The signal beyond the limit is carrier.
Radiates Emission from 490kHz to 30MHz



Radiates Emission from 30MHz to 1GHz

Note: This graph displays the maximum values of horizontal and vertical by software

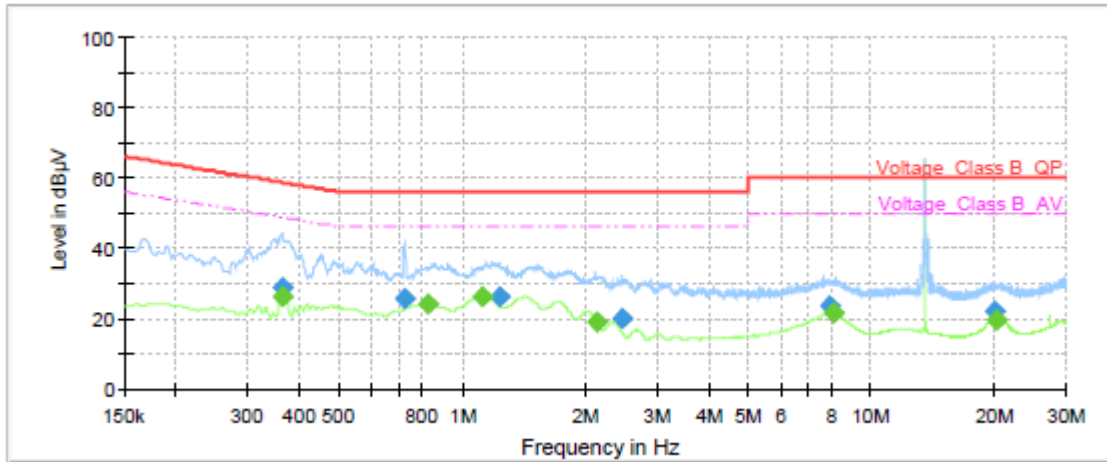
Frequency (MHz)	Quasi-Peak (dBµV/m)	Limit (dBµV/m)	Margin (dB)	Height (cm)	Polarization	Azimuth (deg)	Correct Factor (dB)
44.23	25.19	40.00	14.81	102.0	V	0.00	15
149.15	36.18	43.50	7.32	100.0	V	84.00	10
176.27	34.58	43.50	8.92	184.0	H	287.00	11
230.51	38.37	46.00	7.63	122.0	H	2.00	14
338.99	41.52	46.00	4.48	100.0	H	313.00	17
366.11	40.08	46.00	5.92	102.0	H	134.00	17

Remark: 1. Correction Factor = Antenna factor + Insertion loss (cable loss + amplifier gain)

2. Margin = Limit – Quasi-Peak

6.4. Conducted Emission

Following plots, Blue trace uses the peak detection and Green trace uses the average detection.

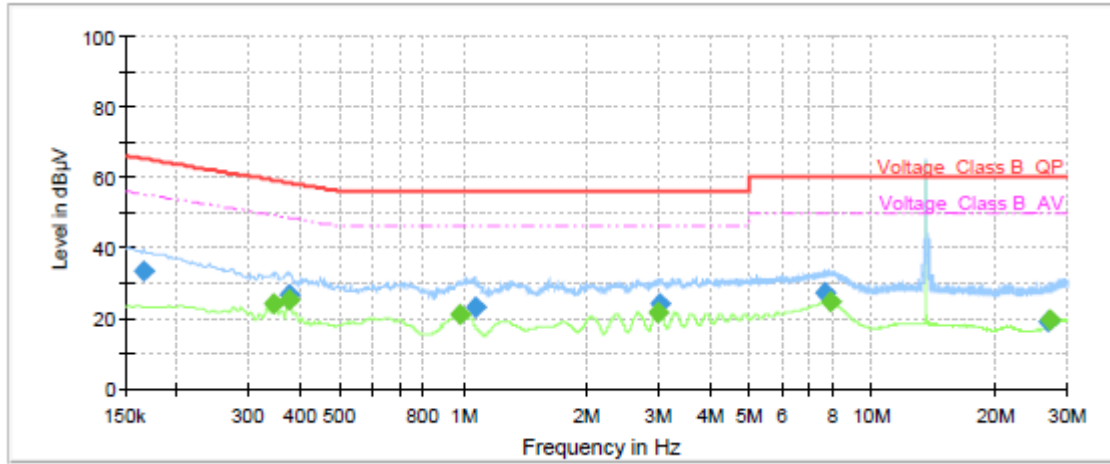


Note: The signal beyond the limit is carrier.

Frequency (MHz)	QuasiPeak (dBµV)	Average (dBµV)	Limit (dBµV)	Margin (dB)	Meas. Time (ms)	Bandwidth (kHz)	Line	Filter	Corr. (dB)
0.36	---	25.93	48.69	22.76	1000.0	9.000	L1	ON	20.8
0.36	28.87	---	58.69	29.82	1000.0	9.000	L1	ON	20.8
0.72	25.52	---	56.00	30.48	1000.0	9.000	L1	ON	20.3
0.83	---	24.22	46.00	21.78	1000.0	9.000	L1	ON	20.1
1.12	---	26.31	46.00	19.69	1000.0	9.000	L1	ON	19.8
1.24	25.98	---	56.00	30.02	1000.0	9.000	L1	ON	19.8
2.12	---	19.01	46.00	26.99	1000.0	9.000	L1	ON	19.4
2.46	19.91	---	56.00	36.09	1000.0	9.000	L1	ON	19.3
7.87	23.81	---	60.00	36.19	1000.0	9.000	L1	ON	19.2
8.09	---	21.68	50.00	28.32	1000.0	9.000	L1	ON	19.2
20.09	21.85	---	60.00	38.15	1000.0	9.000	L1	ON	19.7
20.35	---	19.71	50.00	30.29	1000.0	9.000	L1	ON	19.7

Remark: Correct factor=cable loss + LISN factor

L line Conducted Emission from 150 KHz to 30 MHz



Note: The signal beyond the limit is carrier.

Frequency (MHz)	QuasiPeak (dBµV)	Average (dBµV)	Limit (dBµV)	Margin (dB)	Meas. Time (ms)	Bandwidth (kHz)	Line	Filter	Corr. (dB)
0.17	33.48	---	65.17	31.69	1000.0	9.000	N	ON	20.9
0.35	---	24.25	49.06	24.81	1000.0	9.000	N	ON	20.9
0.38	---	25.18	48.39	23.21	1000.0	9.000	N	ON	20.8
0.38	26.90	---	58.34	31.44	1000.0	9.000	N	ON	20.8
0.98	---	21.09	46.00	24.91	1000.0	9.000	N	ON	20.0
1.07	23.09	---	56.00	32.91	1000.0	9.000	N	ON	19.9
3.00	---	21.60	46.00	24.40	1000.0	9.000	N	ON	19.3
3.03	23.97	---	56.00	32.03	1000.0	9.000	N	ON	19.3
7.68	27.23	---	60.00	32.77	1000.0	9.000	N	ON	19.3
7.92	---	24.82	50.00	25.18	1000.0	9.000	N	ON	19.3
26.95	19.20	---	60.00	40.80	1000.0	9.000	N	ON	20.1
27.12	---	19.33	50.00	30.67	1000.0	9.000	N	ON	20.1

Remark: Correct factor=cable loss + LISN factor

N line Conducted Emission from 150 KHz to 30 MHz

7. Main Test Instruments

Name	Manufacturer	Type	Serial Number	Calibration Date	Expiration Time
Spectrum Analyzer	KEYSIGHT	N9020A	MY51330870	2022-05-14	2023-05-13
DC Power Supply	UNI-T	UTP1306S+	2205D0517232	2022-12-10	2023-12-09
TEMPERATURE CHAMBER	ESPEC	SU-242	93000506	2022-12-10	2023-12-09
Radiated Emission					
EMI Test Receiver	R&S	ESR	102389	2022-05-25	2023-05-24
EMI Test Receiver	R&S	ESCI3	100948	2022-05-25	2023-05-24
Signal Analyzer	R&S	FSV40	101298	2022-05-14	2023-05-13
Loop Antenna	SCHWARZBECK	FMZB1519	1519-047	2020-04-02	2023-04-01
TRILOG Broadband Antenna	SCHWARZBECK	VULB 9163	1023	2020-05-05	2023-05-04
Software	R&S	EMC32	9.26.01	/	/
Conducted Emission					
Artificial main network	R&S	ENV216	102191	2022-12-13	2024-12-09
EMI Test Receiver	R&S	ESR	101667	2022-05-25	2023-05-24
Software	R&S	EMC32	10.35.10	/	/

*****END OF REPORT *****

ANNEX A: The EUT Appearance

The EUT Appearance is submitted separately.

ANNEX B: Test Setup Photos

The Test Setup Photos is submitted separately.