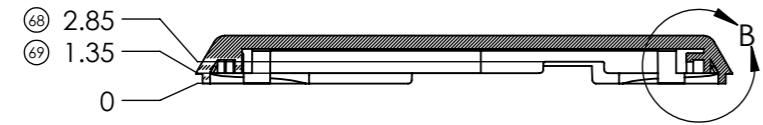
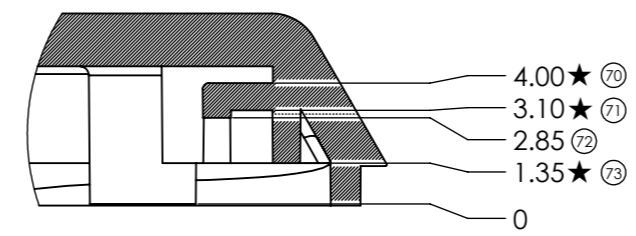


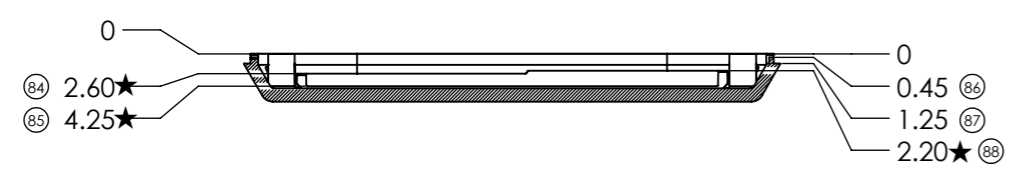
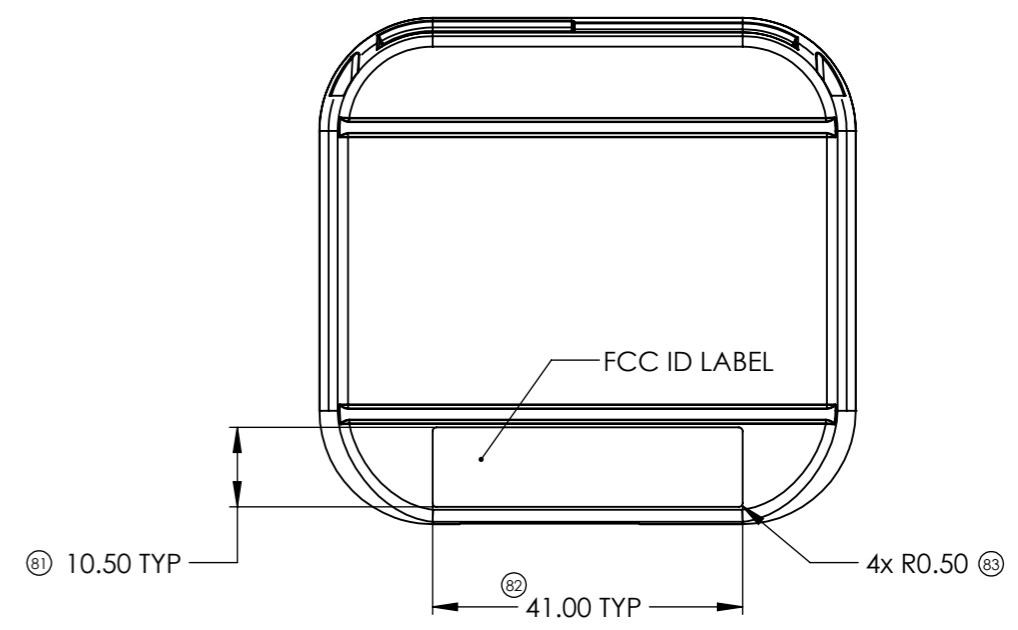
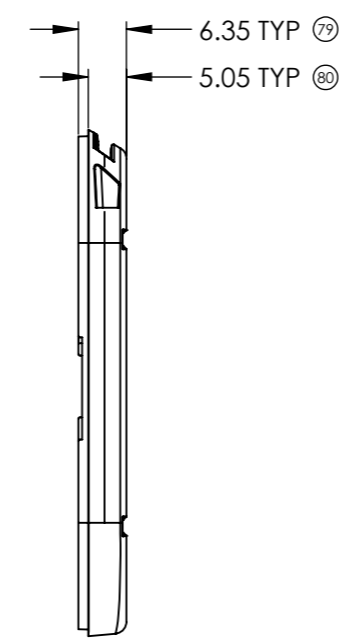
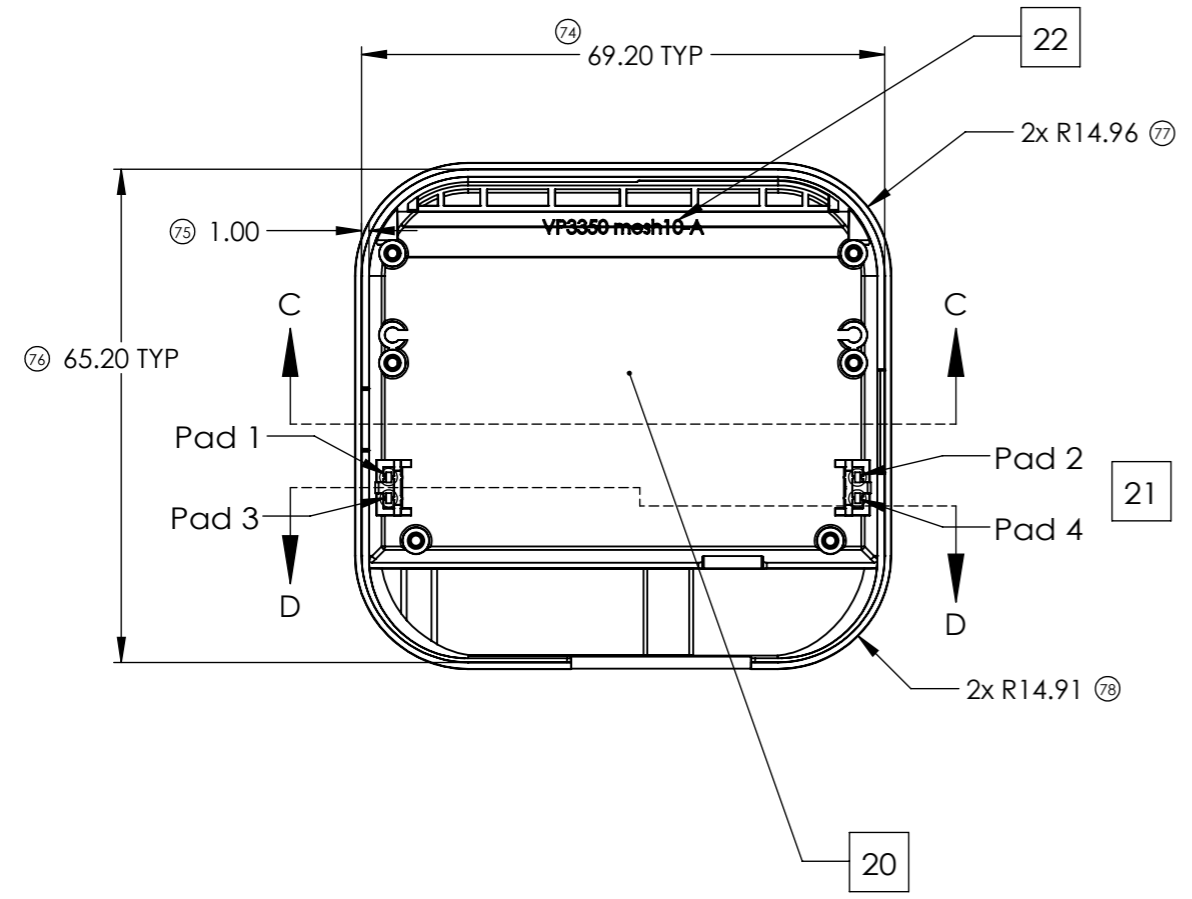
| REVISIONS HISTORY |                  |            |             |
|-------------------|------------------|------------|-------------|
| REV.              | DESCRIPTION      | DATE       | APPROVED BY |
| 50                | ENGINEER RELEASE | 08/04/2020 | ALLEN WU    |
| 51                | SEE SHEET1       | 04/14/2021 | ALLEN WU    |
| 52                | SEE SHEET1       | 10/12/2021 | ALAN CHAO   |



SECTION D-D  
SCALE 1 : 1



DETAIL B  
SCALE 4 : 1



SECTION C-C  
SCALE 1 : 1

|   |  |   |  |  |  |
|---|--|---|--|--|--|
| ANSI-METRIC<br>THIRD ANGLE PROJECTION   |  | <b>IDTECH</b>   |  | 10721 WALKER ST.<br>CYPRESS, CA 90630<br>TEL: 714-761-6368 |  |
| INTERPRET DRAWING IN ACCORDANCE<br>WITH ASME Y14.5-2009   |  |   |  | DRAWN:<br>ALLEN WU   |  |
| UNLESS OTHERWISE SPECIFIED<br>DIMENSION ARE IN MILLIMETERS  |  | CHECKED:<br>ALLEN WU  |  | DATE:<br>08/04/2020  |  |
| GENERAL TOLERANCES:<br>TOLERANCES TO MEET TOLERANCES TABLE<br>UNLESS OTHERWISE SPECIFIED ON DRAWING |  | APPROVED:<br>YIFENG CHEN  |  | DATE:<br>08/04/2020  |  |
| DO NOT SCALE DRAWING  |  | THIS DOCUMENT IS THE PROPERTY OF AND PROPRIETARY TO IDT.<br>ITS USE IS AUTHORIZED ONLY RESPONDING TO A REQUEST FOR<br>QUOTATION OR FOR THE PERFORMANCE OF WORK FOR IDT. |  | TITLE:<br>DWG; BACK HOUSING; LDS; MESH; VP3350             |  |
|   |  | MODEL FILE NAME:<br>BOT-housing_mesh_VP3300S  |  | SIZE<br>A3   |  |
|   |  | DWG NO.:<br>80178205  |  | REV.<br>52   |  |
|   |  | SCALE 1:1   |  | SHEET 3 OF 3   |  |