

6

5

4

3

2

1

TABULATION BLOCK		
DASH #	DESCRIPTION	MODEL #
-001	UNIPAY III; T3; STANDARD	IDMR-AB93133W
-002	UNIPAY III; T3; STANDARD	IDMR-AB93133

REVISIONS			
REV	DESCRIPTION	DATE	APPROVED
50	ENGINEER RELEASE	11/19/15	<i>[Signature]</i>
A	RELEASE TO PRODUCTION PER ECN-008453	02/02/16	<i>[Signature]</i>

D

D

C

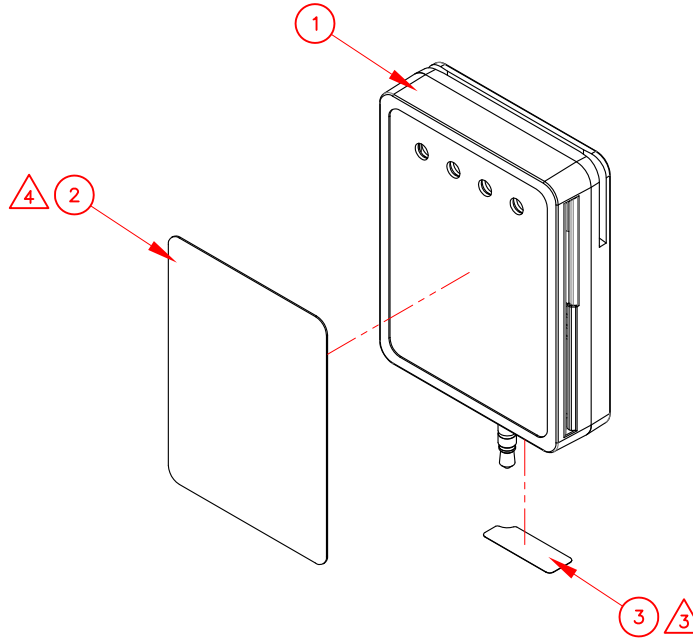
C

B

B

A

A



- 5. PLACE BOM ITEM UNIPAYIII UNIT #1 AND ANY ACCESSORY INTO BOX PER BOM.
- ▼ 4. APPLY OVERLAY ITEM #2 PER BOM TO RECESS ON HOUSING.
- ▼ 3. PRINT UNIT LABEL PER BOM ITEM #203. AND APPLY IT TO RECESS ON HOUSING.
- 2. PARTS/PROCESSES MUST BE RoHS COMPLIANT.
- 1. INTERPRET DRAWING PER ASME Y14.5-2009.

NOTES: UNLESS OTHERWISE SPECIFIED

UNLESS OTHERWISE SPECIFIED: 1) DIMENSIONS ARE IN MILLIMETERS. 2) TOLERANCES ARE:		<b>IDTECH</b> 10721 WALKER ST. CYPRESS, CA 90630 TEL: 714-761-8368	
DECIMALS: 1 .012 2 .010 3 .000	ANGLES: 30°-0.5°	DESIGN: ALLEN MU	DATE: 11/19/15
MATERIAL: SEE SEPARATE PARTS LIST		CHECKED:	DATE:
DO NOT SCALE DWG		TITLE: DWG; F/A; UNIPAY III	
CHARACTERISTIC SYMBOLS: ◆ - CRITICAL ▼ - MAJOR ● - MINOR		FILE NAME: 80149001-A.DWG	
		SIZE: A3 DWG NO.: 80149001 REV: A	
		SCALE: 1 : 1 SHEET: 1 OF 1	

6

5

4

3

2

1