

Class II Permissive Change Letter

Dear Sir:

This is a class II permissive change letter.

The difference between the original granted equipment and the new one is added a credit card machine on the original machine.

Please see attached photos of equipment and schematic circuit.

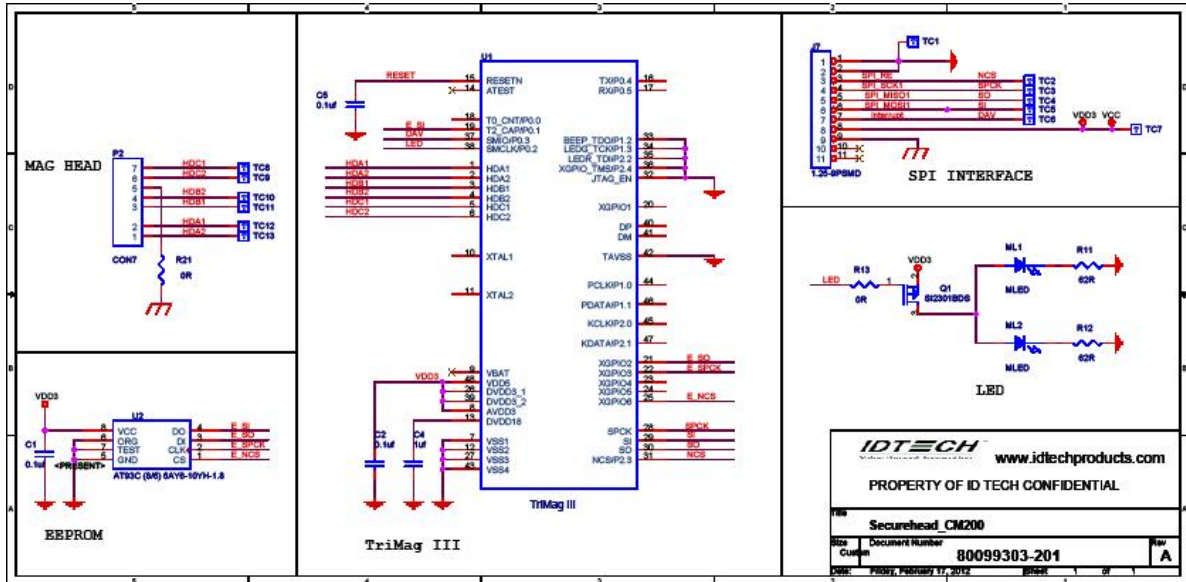
Before



After



The additional circuit for class II change.



Sincerely,

Simon Lee/ VP, Special Projects.

Date : 11/11/2013