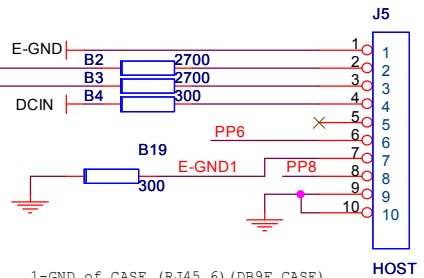
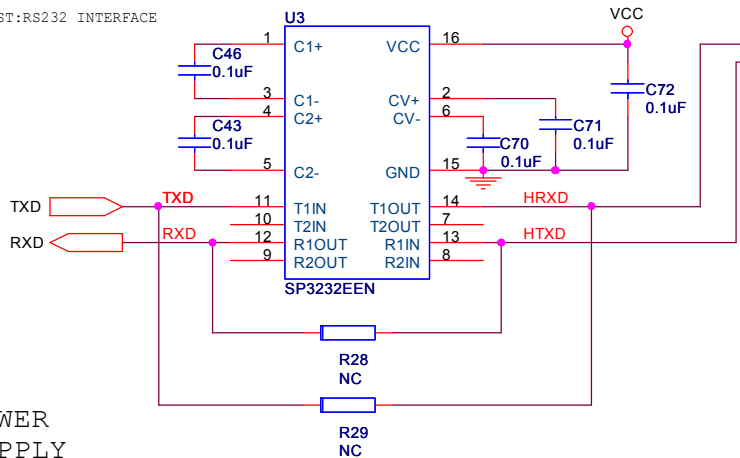


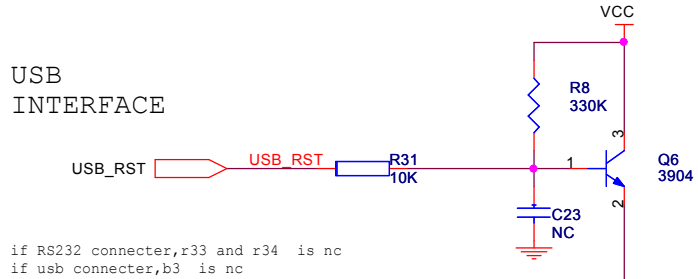


HOST:RS232 INTERFACE



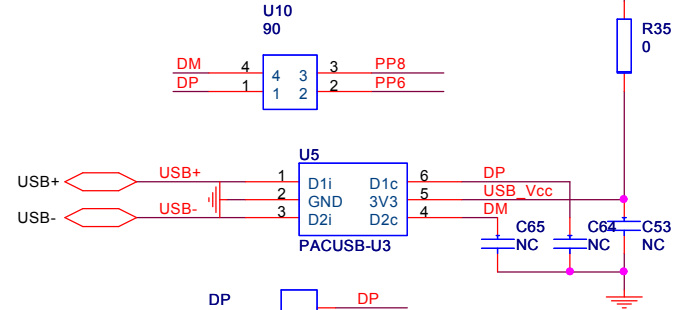
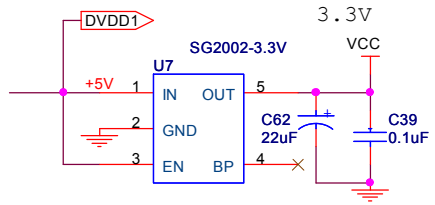
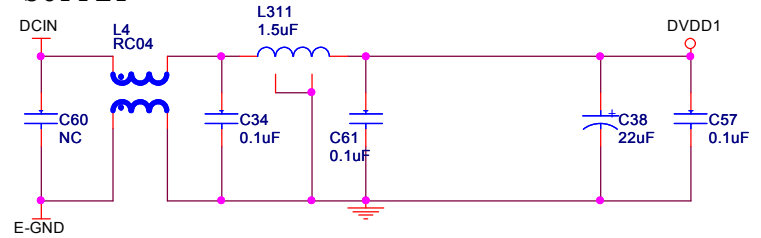
- 1-GND of CASE (RJ45.6) (DB9F.CASE)
- 2-TXD to HRXD (RJ45.1) (DB9F.2)
- 3-RXD fr HTXD (RJ45.2) (DB9F.3)
- 4-PWR of PWR+ (RJ45.3) (DB9F.-) (JACK.PIN)
- 5-RTS to HCTS (RJ45.4) (DB9F.8)
- 6-CTS fr HRTS (RJ45.5) (DB9F.7)
- 7-GND of PWR- (RJ45.8) (DB9F.5) (JACK.WASHER)

USB INTERFACE

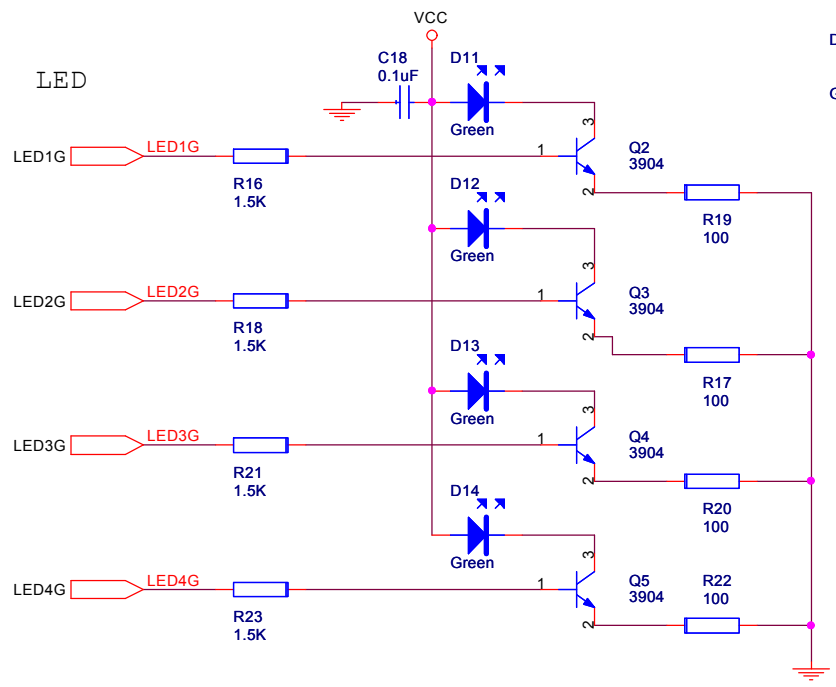


if RS232 connector,r33 and r34 is nc  
if usb connector,b3 is nc

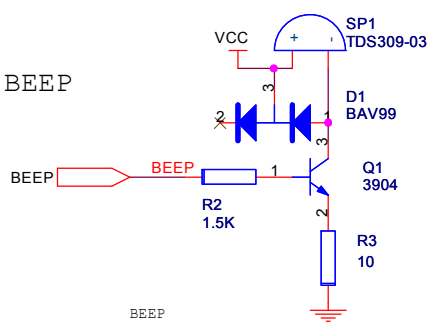
POWER SUPPLY



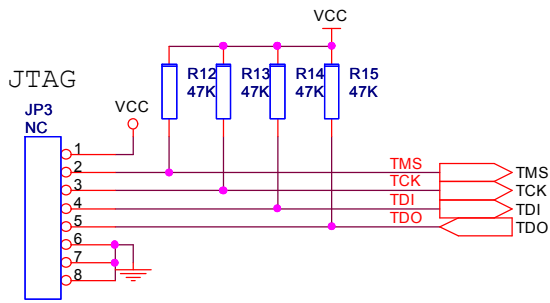
LED



BEEP



JTAG



**IDTECH**  
Value through Innovation  
www.idtechproducts.com

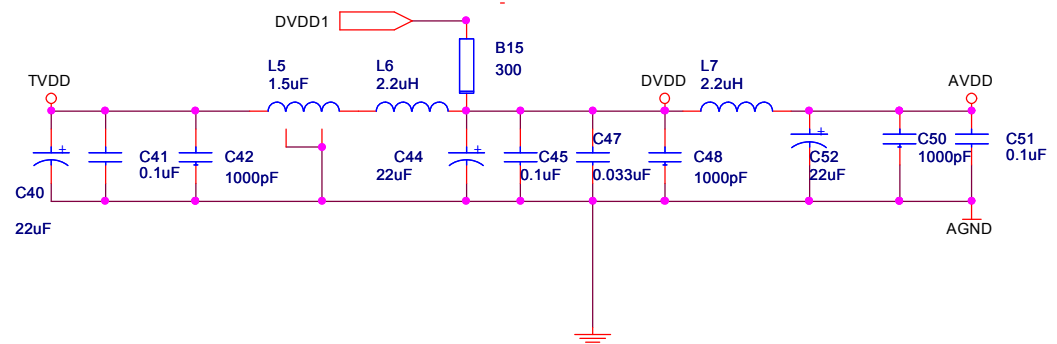
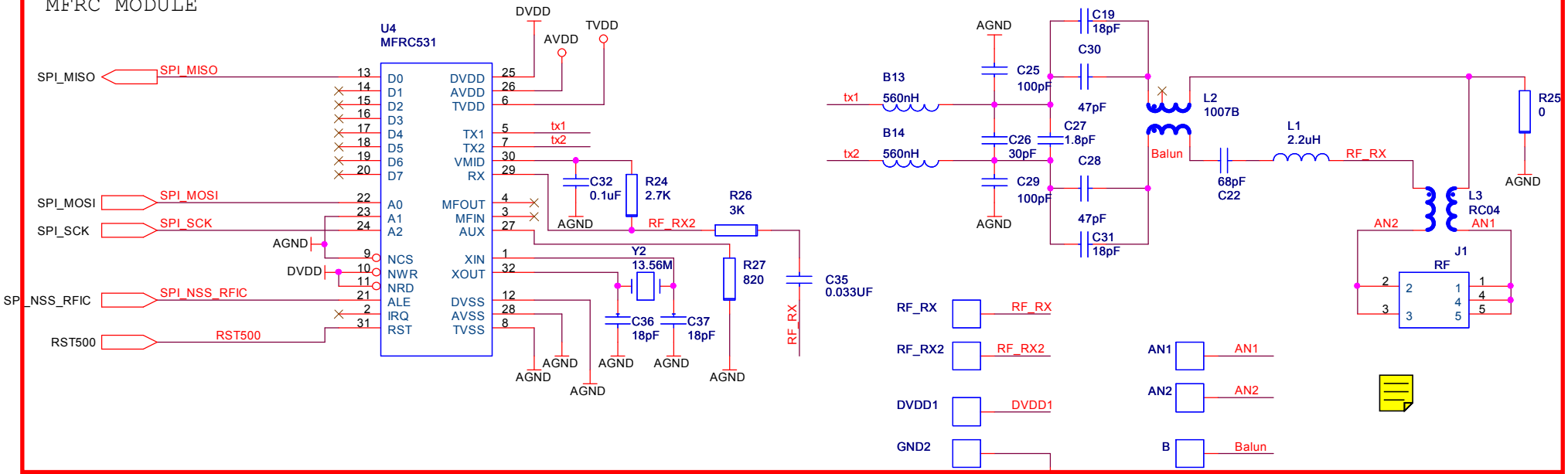
PROPERTY OF ID TECH CONFIDENTIAL

Title: **SCH;Main;Xpress CM100 reader**

Size: A4 | Document Number: 80099301-200 | Rev: 52

Date: Friday, April 01, 2011 | Sheet: 2 of 3

MFRC MODULE



**IDTECH**  
 Value through Innovation  
 上海宝腾电子科技有限公司

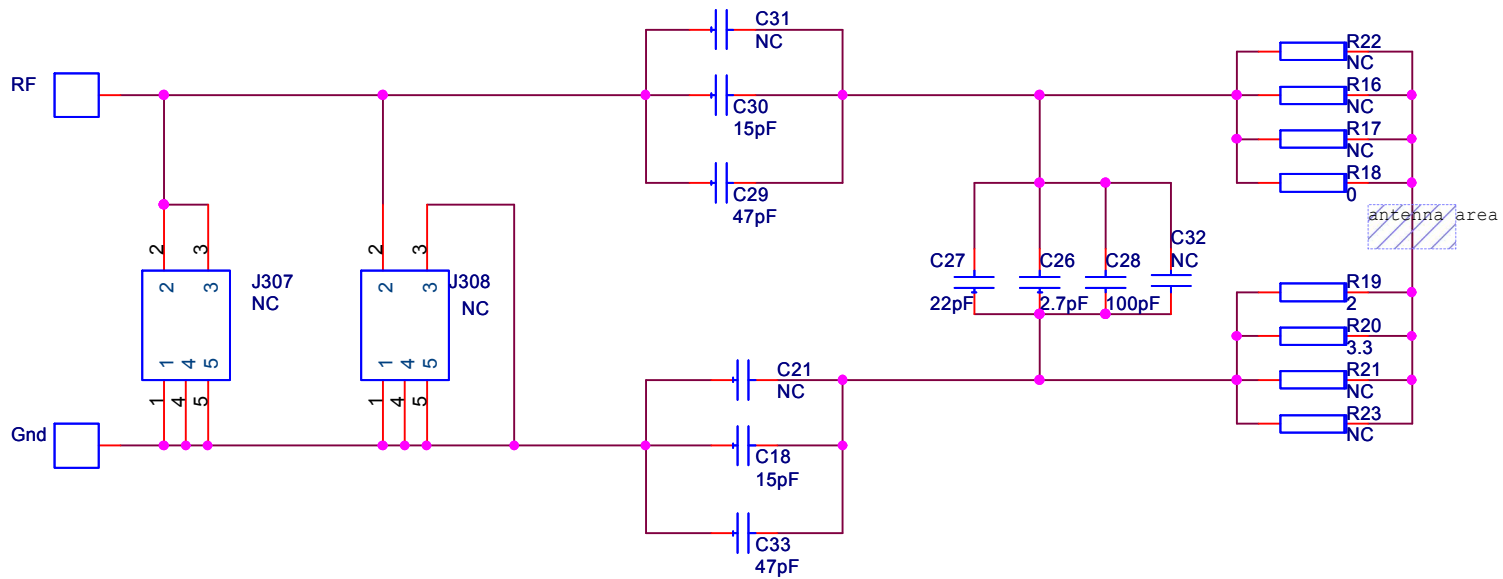
www.idtechproducts.com


PROPERTY OF ID TECH CONFIDENTIAL

Title  
**SCH;Main;Xpress CM100 reader**

Size A4	Document Number 80099301-200	Rev 52
------------	---------------------------------	-----------

Date: Friday, April 01, 2011      Sheet 3 of 3




[www.idtechproducts.com](http://www.idtechproducts.com)

Value through Innovation  
 上海盈腾电子科技有限公司

**PROPERTY OF ID TECH CONFIDENTIAL**

Title: SCH;Antenna Board;Xpress CM100 reader

Size A	Document Number 80099302-200	Rev .50
--------	---------------------------------	------------

Date: Tuesday, March 08, 2011      Sheet 1 of 1