

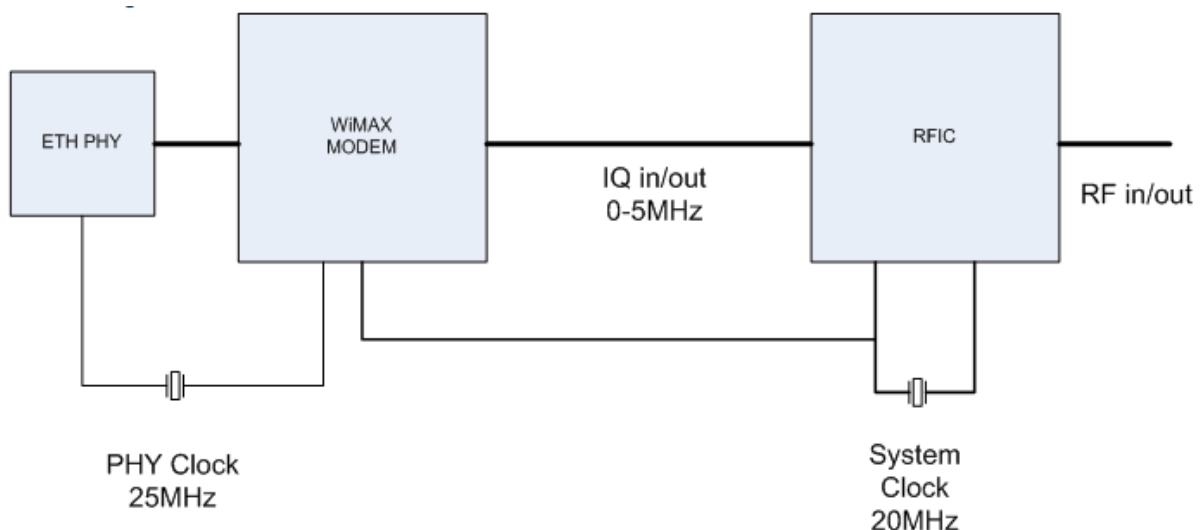
BLOCK DIAGRAM

32 Maskit St. P.O.box 12412 Herzeliya 46733, Israel

CPE Block Diagram

The CPE consists of the following modules:

1. Base-Band board – including the WiMAX 16e MIMO Base-Band SoC (running the 16e MAC + PHY) plus the User Interface plus the analog front end that interface the RF module.
2. Power Supply board– DC/DC power supply. Converts the 48VDC to the various voltages that are feeding the Digital and the RF modules
3. RF board - Single transmit dual receive module that modulate the analog WiMAX signal input from the Base-Band modem to the high frequency RF output. Several RF modules exist - each supporting different frequency band.



Sincerely,
Shay Chaim
Technology manager