

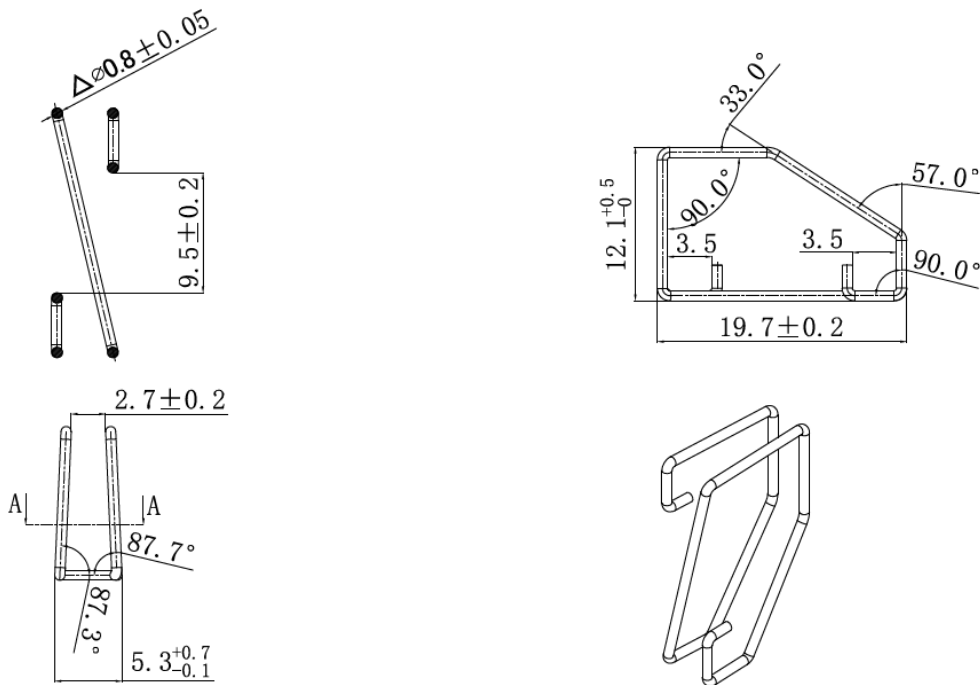
Antenna Specification

1. Antenna Description

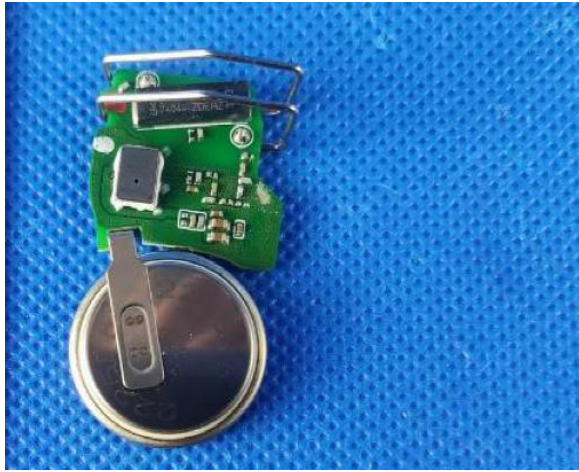
| | |
|----------------------|----------------|
| Antenna plate | Spring antenna |
| Make name/model name | / |
| Antenna gain | -1.5dBi Max. |
| Frequency range | 315MHz, 434MHz |
| Connector type | Direct |

2. External View Drawing;(UNIT:mm)

Picture of antenna

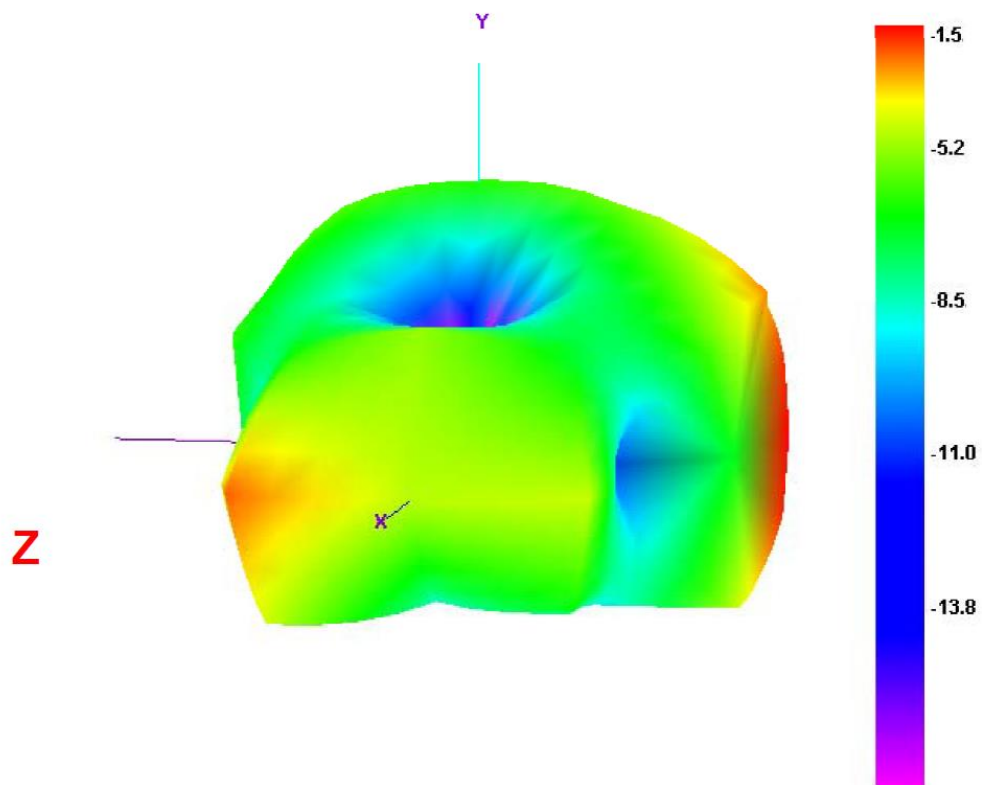


3. Picture of Antenna



4. Antenna Gain

-1.50dBi Max. @315MHz



-1.51dBi Max. @434MHz

