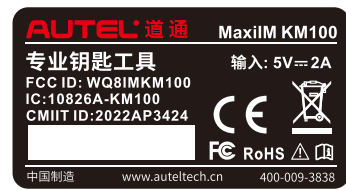
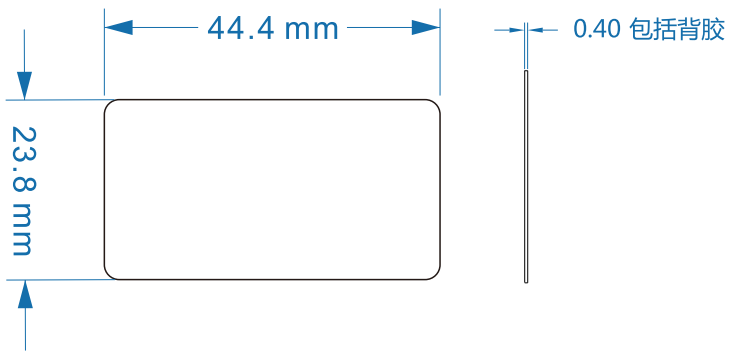


REV	POSITION	DATE	DESCRIPTION
	更新图纸	2021.10.21	更新图纸文案
	更新图纸	2022.3.26	更新图纸文案



丝印图纸

透明区域，背胶要求背胶透明度要好



效果图图纸

颜色



注:设计部不指定供应商,效果做到与参考样品一致即可。

AUTEL 道通科技股份有限公司 Autel Intelligent Technology Corp., Ltd.			TITLE: 机身贴纸	
DIM Sheetmetal Machining 0~6 0.10 0.05 6~30 0.15 0.10 30~120 0.25 0.15 120~300 0.35 0.20 300~600 0.50 0.25 600~1200 0.60 0.30 >1200 0.80 0.50 ANG. 30°	These Drawings And Specifications Are The Property Of AUTEL. And Shall NOT Be Reproduced, Copied Or Used In Any Manner Without The Prior Written Consent Of AUTEL.	DRAW: 汤清洪 CHKD: 杨柳 STAD: APPD: 廖岳龙 SHEET: 1 OF 1	UNIT: 44.4x23.8x0.4mm FINISH: MASS(Kg): SCALE: PRODUCT: KM100中文	DWG NO.: AUT62080571 PART NO.: 500005636 Material: PC磨砂细砂
PROJ:				

RELEASE LEVEL: APNOT_RELEASE
 FILE NAME: MODEL NAME