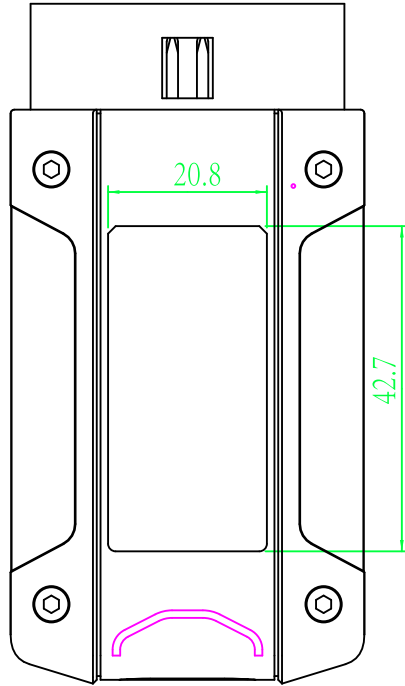


| REV | POSITION | DATE | DESCRIPTION |
|-----|----------|----------|-------------|
| | 贴纸 | 2020/7/9 | 贴纸设计变更 |



效果图

印刷图



透明区域
背胶后要求透明
度好

RELEASE LEVEL: 3-PROJ_RELEASE
FILENAME: MODEL NAME

| 颜色 | 备注 |
|----|------|
| | 单纸开背 |

注: AUTEL设计部不提供供应商, 效果做到参考样品一致即可。

| DIM | Symbol | Micro |
|----------|--------|-------|
| 0-6 | 0.10 | 0.05 |
| 6-30 | 0.15 | 0.10 |
| 30-120 | 0.25 | 0.15 |
| 120-300 | 0.35 | 0.20 |
| 300-600 | 0.50 | 0.25 |
| 600-1200 | 0.60 | 0.30 |
| >1200 | 0.80 | 0.50 |
| ANG. | 1° | 3' |

AUTEL 道通科技股份有限公司
Autel Intelligent Technology Corp., Ltd.

This Drawing And Specification
Are The Property Of AUTEL. And Shall
NOT Be Reproduced Or Copied Or Used
In Any Manner Without The Prior
Written Consent Of AUTEL.

PROJ

TITLE: 机身贴纸

| | | |
|---------------|-------------------------|---------------------|
| DRAW: 张贝贝 | UNITS: 42.7x20.8x0.3 mm | FIG NO: AUT62080637 |
| CHKD: 杨柳 | FINISH: | PART NO: |
| STATUS: | MATERIAL: | REV: 500005952 |
| APPD: 廖岳龙 | SCALE: | Material: PC磨砂细砂 |
| SHEET: 1 of 1 | PRODUCT: MaxiVCI V200S | |

Label Location On EUT

