

REV	POSITION	DATE	DESCRIPTION

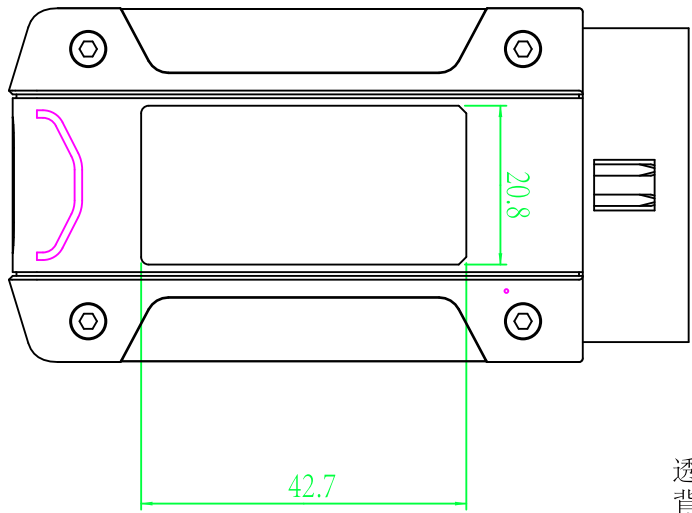
效果图



印刷图



透明区域  
背胶后要求透明  
度好



颜色	备注
	贴纸开槽

注: AUTEI设计部不提供胶卷, 效果做到参考样品一致即可。

DIM	Symbol	Micro
0-6	0.10	0.05
6-30	0.15	0.10
30-120	0.25	0.15
120-300	0.35	0.20
300-600	0.50	0.25
600-1200	0.60	0.30
>1200	0.80	0.50
ANG.	1°	3'

**AUTEL** 道通科技股份有限公司  
Autel Intelligent Technology Corp., Ltd.

This Drawing And Specification  
Are The Property Of AUTEL. And Shall  
NOT Be Reproduced Or Copied Or Used  
In Any Manner Without The Prior  
Written Consent Of AUTEL.

PROJ

TITLE: **机身贴纸**

DRAW: 赵亮	UNITS: 42.7x20.8 mm	FIGG NO:	
CHKD: 林立先	FINISH:	PART NO:	AUT82080422
STAB:	MATERIAL:	500004630	REV:
APPD: 廖岳龙	SCALE:	PRODUCT: MaxiVCI V200	MATERIAL: PC磨砂细砂
SHEET: 1 OF 1			

RELEASE LEVEL: <strong>APPROU</strong> RELEASE  
FILENAME: MODEL NAME