

Trademarks

Autel[®], MaxiSys[®], MaxiDAS[®], MaxiScan[®], MaxiTPMS[®], MaxiRecorder[®], and MaxiCheck[®] are trademarks of Autel Intelligent Technology Corp., Ltd., registered in China, the United States and other countries. All other marks are trademarks or registered trademarks of their respective holders.

Copyright Information

No part of this manual may be reproduced, stored in a retrieval system or transmitted, in any form or by any means, electronic, mechanical, photocopying, recording, or otherwise without the prior written permission of Autel.

Disclaimer of Warranties and Limitation of Liabilities

All information, specifications and illustrations in this manual are based on the latest information available at the time of printing.

Autel reserves the right to make changes at any time without notice. While information of this manual has been carefully checked for accuracy, no guarantee is given for the completeness and correctness of the contents, including but not limited to the product specifications, functions, and illustrations.


Autel will not be liable for any direct, special, incidental, indirect damages or any economic consequential damages (including the loss of profits).

IMPORTANT

Before operating or maintaining this unit, please read this manual carefully, paying extra attention to the safety warnings and precautions.

For Services and Support

 pro.autel.com
 www.autel.com

 1-855-288-3587/1-855-AUTELUS (North America)
0086-755-86147779 (China)

 Support@autel.com

For technical assistance in all other markets, please contact your local selling agent.

Safety Information

For your own safety and the safety of others, and to prevent damage to the device and vehicles upon which it is used, it is important that the safety instructions presented throughout this manual be read and understood by all persons operating or coming into contact with the device.

There are various procedures, techniques, tools, and parts for servicing vehicles, as well as in the skill of the person doing the work. Because of the vast number of test applications and variations in the products that can be tested with this equipment, we cannot possibly anticipate or provide advice or safety messages to cover every circumstance. It is the automotive technician's responsibility to be knowledgeable of the system being tested. It is crucial to use proper service methods and test procedures. It is essential to perform tests in an appropriate and acceptable manner that does not endanger your safety, the safety of others in the work area, the device being used, or the vehicle being tested.

Before using the device, always refer to and follow the safety messages and applicable test procedures provided by the manufacturer of the vehicle or equipment being tested. Use the device only as described in this manual. Read, understand, and follow all safety messages and instructions in this manual.

Safety Messages

Safety messages are provided to help prevent personal injury and equipment damage. All safety messages are introduced by a signal word indicating the hazard level.



DANGER

Indicates an imminently hazardous situation which, if not avoided, will result in death or serious injury to the operator or to bystanders.



WARNING

Indicates a potentially hazardous situation which, if not avoided, could result in death or serious injury to the operator or to bystanders.

Safety Instructions

The safety messages herein cover situations Autel is aware of. Autel cannot know, evaluate or advise you as to all of the possible hazards. You must be certain that any condition or service procedure encountered does not jeopardize your personal safety.

DANGER

When an engine is operating, keep the service area **WELL VENTILATED** or attach a building exhaust removal system to the engine exhaust system. Engines produce carbon monoxide, an odorless, poisonous gas that causes slower reaction time and can lead to serious personal injury or loss of life.

SAFETY WARNINGS

- Always perform automotive testing in a safe environment.
- Wear safety eye protection that meets ANSI standards.
- Keep clothing, hair, hands, tools, test equipment, etc. away from all moving or hot engine parts.
- Operate the vehicle in a well ventilated work area, for exhaust gases are poisonous.
- Put the transmission in **PARK** (for automatic transmission) or **NEUTRAL** (for manual transmission) and make sure the parking brake is engaged.
- Put blocks in front of the drive wheels and never leave the vehicle unattended while testing.
- Be extra cautious when working around the ignition coil, distributor cap, ignition wires and spark plugs. These components create hazardous voltages when the engine is running.
- Keep a fire extinguisher suitable for gasoline, chemical, and electrical fires nearby.
- Do not connect or disconnect any test equipment while the ignition is on or the engine is running.
- Keep the test equipment dry, clean, free from oil, water or grease. Use a mild detergent on a clean cloth to clean the outside of the equipment as necessary.
- Do not drive the vehicle and operate the test equipment at the same time. Any distraction may cause an accident.

- Refer to the service manual for the vehicle being serviced and adhere to all diagnostic procedures and precautions. Failure to do so may result in personal injury or damage to the test equipment.
- To avoid damaging the test equipment or generating false data, make sure the vehicle battery is fully charged and the connection to the vehicle DLC is clean and secure.
- Do not place the test equipment on the distributor of the vehicle. Strong electro-magnetic interference can damage the equipment.

Using This Manual

This manual contains device usage instructions.

Some illustrations shown in this manual may contain modules and optional equipment that are not included in your system. Contact your sales representative for availability of other modules and optional tools or accessories.

Conventions

The following conventions are used.

Bold Text

Bold text is used to highlight selectable items such as buttons and menu options.

Example:

- Tap **OK**.

Notes and Important Messages

Notes

A **NOTE** provides helpful information such as additional explanations, tips, and comments.

Example:



NOTE

New batteries reach full capacity after approximately 3 to 5 charging and discharging cycles.

Important

IMPORTANT indicates a situation which, if not avoided, may result in damage to the test equipment or vehicle.

Example:

! IMPORTANT

Keep the cable away from heat, oil, sharp edges and moving parts. Replace damaged cables immediately.

Hyperlink

Hyperlinks, or links, that take you to other related articles, procedures, and illustrations are available in electronic documents. Blue italic text indicates a selectable hyperlink and blue underlined text indicates a website link or an email address link.

Illustrations

Illustrations used in this manual are samples, the actual testing screen may vary for each vehicle being tested. Observe the menu titles and on-screen instructions to make correct option selection.

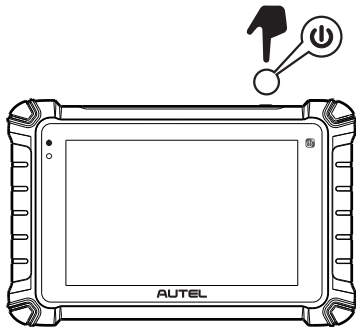
Thank you for purchasing this Autel tool. Our tools are manufactured to a high standard and — when used according to these instructions and properly maintained — will provide years of trouble-free performance.

Getting Started



IMPORTANT: Before operating or maintaining this unit, please read these instructions carefully, paying extra attention to the safety warnings and precautions. Failure to use this product properly may cause damage and/or personal injury and will void the product warranty.

1



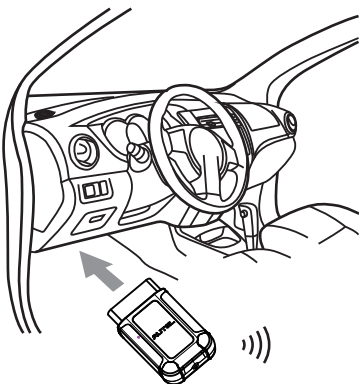
- Press and hold the **Power/Lock** button to turn on the tablet. Ensure the tablet has a charged battery or is connected to the supplied DC power supply.

2



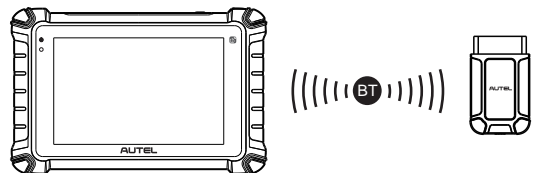
- Scan the QR code above to visit our website at **pro.autel.com**.
- Create an Autel ID and register the product with its serial number and password.

3



- Insert the MaxiVCI V150 into the vehicle's DLC, which is generally located under the vehicle dashboard.

4



- Connect the tablet to the MaxiVCI V150 via Bluetooth to establish a communication link.
- When the MaxiVCI V150 is properly connected to the vehicle and the tablet, the VCI status button on the bottom bar of the screen will display a green badge at the corner, indicating the tablet is ready to start vehicle diagnosis.

Technical Specifications

Table 2-1 Specifications

Item	Description
MCU	ATSAME70Q21B
Input	12V1A
Connectivity	Bluetooth 4.2
Hardware Ver.	DC2241_MCU_V2
Software Ver.	V01.01.00
Operating Temp	-10 to 60°C(14 to 140°F)
Storage Temp.	-20 to 70°C (-4 to 158°F)
Operating Humidity	5% - 95% non-condensing



Please download the Maxi PC Suite software from www.autel.com > Support > Downloads > Autel Update Tools and install it on your computer.

Software Update



IMPORTANT: Make sure the tablet is connected to the Internet and has sufficient battery or is connected to a power source.

- Tap the **Update** application button from the Diagnostics Job Menu and the Update screen will display.
- Check for all available updates:
 - a) if you want to update all the items, tap the **Update All** button;
 - b) if you want to update one or some of the items, tap the **Update** button on the right column of the specific item(s).
- Tap **Pause** to suspend the updating process. Tap **Continue** to resume.
- When the updating process is completed, the software will be installed automatically. The previous version will be replaced.

Wireless Data Printing

Print via PC



IMPORTANT: Make sure the tablet is connected to the same network as the computer, either via Wi-Fi or LAN, and that the computer is connected to a printer.

1. Run the **MaxiSys Printer** on the computer. This was installed along with the installation of the **Maxi PC Suite** software.
2. Click **Test Print** to make sure the printer is working properly.
3. Tap **Print** on the toolbar of the tablet. A temporary document will be created and sent to the computer.
 - If the **Auto Print** option in the MaxiSys Printer is selected, the MaxiSys Printer will print the received document automatically.
 - If the **Auto Print** option is not selected, click **Open PDF File** to view all the temporary files. Select the file(s) you want to print and click **Print**.

Print via APP

If a Wi-Fi printer is available, please purchase a Wi-Fi printer APP and install it onto your tablet. To print a file, simply click on the **Print** button of a saved file on the tablet.

For service and support, please contact us.

<http://pro.autel.com> / www.autel.com / support@autel.com
0086-755-2267-2493 (China HQ) / 1-855-AUTEL-US (288-3587) (North America) / 0049 (0) 6103-2000520 (Europe) /
+045 5948465 (APAC) / +971 585 002709 (IMEA)

© Autel Intelligent Technology Corp., Ltd. All Rights Reserved.

FCC Statement

This equipment has been tested and found to comply with the limits for a Class B digital device, pursuant to part 15 of the FCC Rules. These limits are designed to provide reasonable protection against harmful interference in a residential installation. This equipment generates, uses and can radiate radio frequency energy and, if not installed and used in accordance with the instructions, may cause harmful interference to radio communications. However, there is no guarantee that interference will not occur in a particular installation. If this equipment does cause harmful interference to radio or television reception, which can be determined by turning the equipment off and on, the user is encouraged to try to correct the interference by one or more of the following measures:

- Reorient or relocate the receiving antenna.
- Increase the separation between the equipment and receiver.
- Connect the equipment into an outlet on a circuit different from that to which the receiver is connected.
- Consult the dealer or an experienced radio/TV technician for help.

Caution: Any changes or modifications to this device not explicitly approved by manufacturer could void your authority to operate this equipment.

This device complies with part 15 of the FCC Rules. Operation is subject to the following two conditions: (1) This device may not cause harmful interference, and (2) this device must accept any interference received, including interference that may cause undesired operation.

RF Exposure Information

The device has been evaluated to meet general RF exposure requirement. The device can be used in portable exposure condition without restriction.

ISED Statement

English: This device contains licence-exempt transmitter(s)/receiver(s) that comply with Innovation, Science and Economic Development Canada's licence-exempt RSS(s). Operation is subject to the following two conditions:

- (1) This device may not cause interference.
- (2) This device must accept any interference, including interference that may cause undesired operation of the device.

The digital apparatus complies with Canadian CAN ICES-3 (B)/NMB-3(B).

French: Cet appareil contient des émetteurs/récepteurs exempts de licence qui sont conformes aux RSS exemptés de licence d'Innovation, Sciences et Développement économique Canada.

L'exploitation est soumise aux deux conditions suivantes :

- (1) Cet appareil ne doit pas provoquer d'interférences.
- (2) Cet appareil doit accepter toute interférence, y compris les interférences susceptibles de provoquer un fonctionnement indésirable de l'appareil.

l'appareil numérique du ciem conforme canadien peut - 3 (b) / nmb - 3 (b).

This device meets the exemption from the routine evaluation limits in section 2.5 of RSS 102 and compliance with RSS 102 RF exposure, users can obtain Canadian information on RF exposure and compliance.

cet appareil est conforme à l'exemption des limites d'évaluation courante dans la section 2.5 du cnr - 102 et conformité avec rss 102 de l'exposition aux rf, les utilisateurs peuvent obtenir des données canadiennes sur l'exposition aux champs rf et la conformité.

This equipment complies with Canada radiation exposure limits set forth for an uncontrolled environment.

Cet équipement est conforme aux limites d'exposition aux rayonnements du Canada établies pour un environnement non contrôlé.

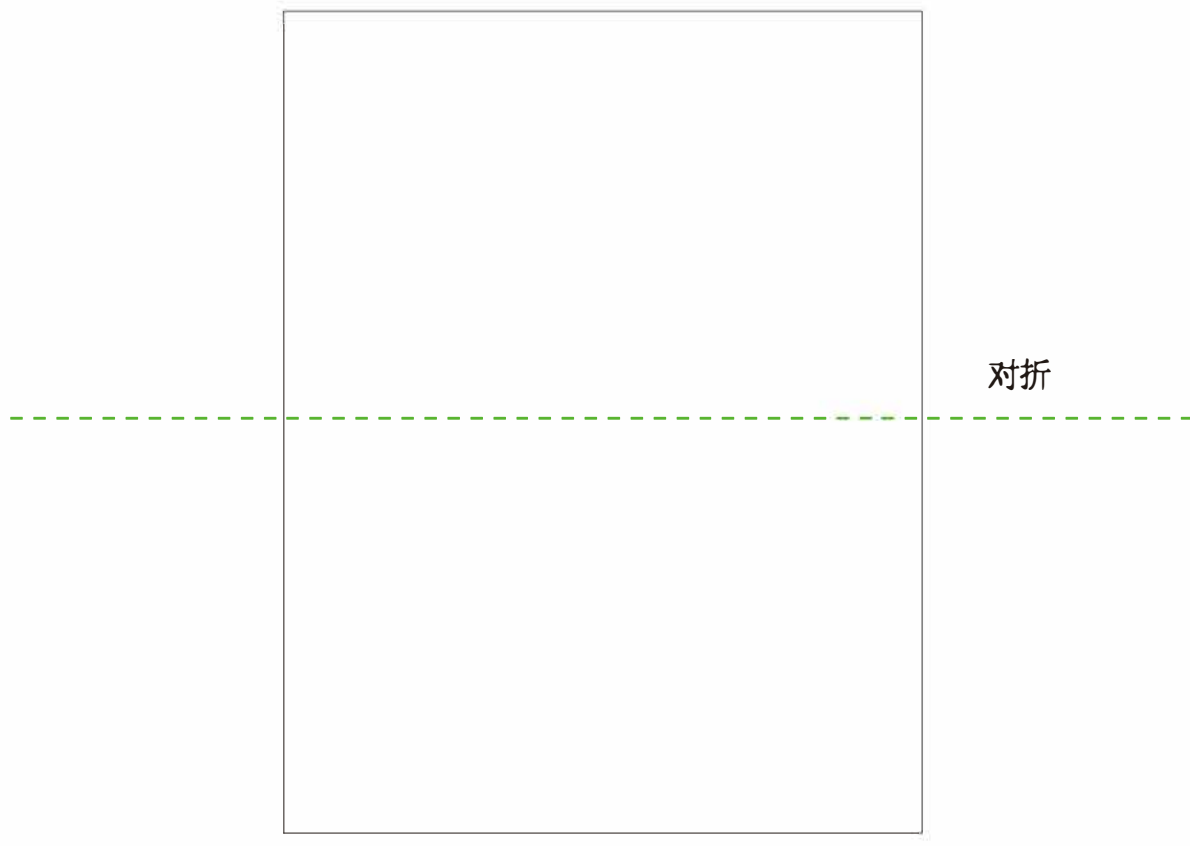
RF Exposure Statement

The device has been evaluated to meet general RF exposure requirement. This equipment should be installed and operated with minimum distance 0mm between the radiator & your body.

L'appareil a été évalué pour répondre aux exigences générales d'exposition aux RF. Cet équipement doit être installé et utilisé avec une distance minimale de 0 mm entre le radiateur et votre corps.

RELEASE LEVEL: &PROJ_RELEASE
 FILENAME: MODEL NAME

POSITION	DATE	DESCRIPTION

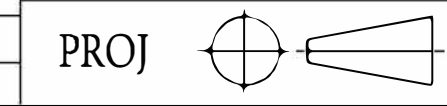


颜色	备注
	英语/单黑/ 正反印刷再对折

注: AUTEL设计部不指定供应商。效果做到参考样品一致即可。

DIM	Sheetmetal	Machining
0~6	0.10	0.05
6~30	0.15	0.10
30~120	0.25	0.15
120~300	0.35	0.20
300~600	0.50	0.25
600~1200	0.60	0.30
>1200	0.80	0.50
ANG.	1~	30°

AUTEL 道通科技股份有限公司 Autel Intelligent Technolog Corp.Ltd.		TITLE: 快速指引	
These Drawings And Specification Are The Property Of AUTEL And Shall NOT Be Reproduced Copied Or Used In Any Manner Without The Prior Written Consent Of AUTEL.	DRAW: 汤清洪	UNIT'S: 190x265mm	DWG NO.: AUT62060743
	CHKD: 杨柳	FINISH:	
	STAD:	MASS(Kg):	PART NO.: 500006390
	APPD: 王高	SCALE:	Material: 120g书写纸
	SHEET: 1 OP 1	PRODUCT: MK900TS、V150	



A
B
C
D
E
F

A
B
C
D
E
F

1 2 3 4 5 6 7 8