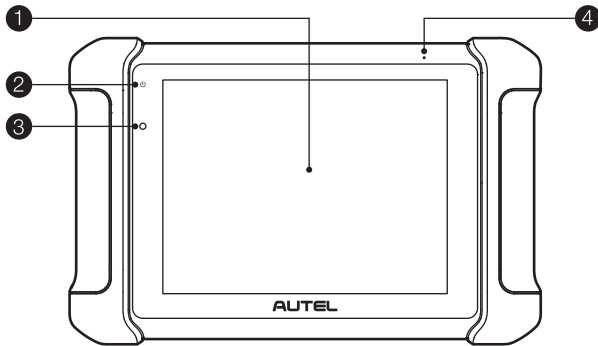
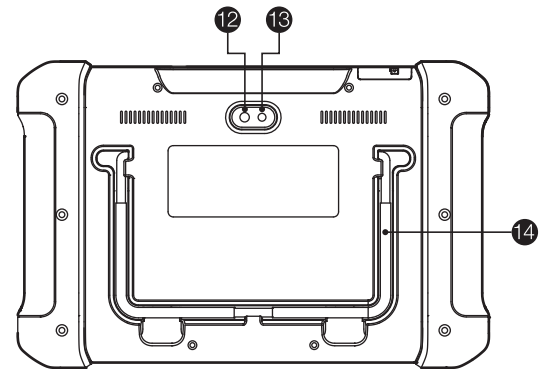
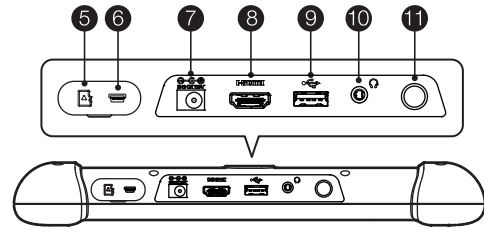


Thank you for purchasing MaxiCOM MK906BT. Manufactured to a high standard, this tool will, if used according to these instructions and properly maintained, give you years of trouble-free performance.

◎ MaxiCOM MK906BT Display Tablet

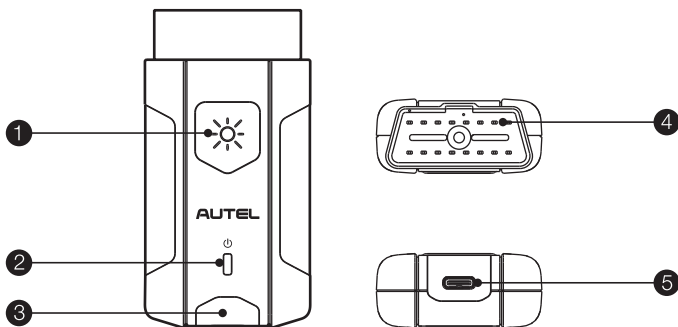


1. 8.0" LED Capacitive Touch Screen
2. Power LED
3. Ambient Light Sensor
4. Microphone



5. Mini SD Card Slot
6. Mini USB OTG Port
7. DC Power Supply Input Port
8. HDMI Port
9. USB Port (for VCI Connection)
10. Headset Jack (3-Band 3.5mm)
11. Lock/Power Button – turns the device on & off with long press, or locks the screen with short press
12. Camera Lens
13. Camera Flash
14. Collapsible Stand – extends from the back to allow hands-free viewing of the Display Tablet at a 30-degree angle

◎ VCI (Vehicle Communication Interface) Device – MaxiVCI V200



1. Lighting Push Button
2. Power LED
3. Vehicle/Connection LED
4. Vehicle Data Connector (16-Pin)
5. USB Port

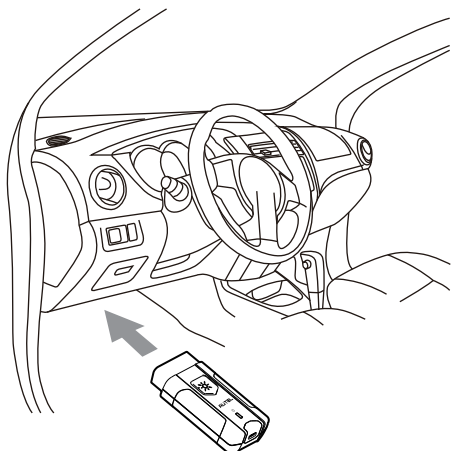
VCI LED Description

LED	Color	Description
Power LED	Yellow	The VCI is powered on and performing self-check.
	Green	The VCI is ready for use.
	Flashing Red	The firmware is updating.
Vehicle /Connection LED	Green	<ul style="list-style-type: none"> • Solid Green: The VCI is connected via USB cable. • Flashing Green: The VCI is communicating via USB cable.
	Blue	<ul style="list-style-type: none"> • Solid Blue: The VCI is connected via Bluetooth. • Flashing Blue: The VCI is communicating via Bluetooth.



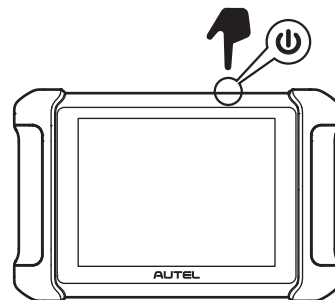
IMPORTANT: Before operating or maintaining this unit, please read these instructions carefully. Pay extra attention to the safety warnings and precautions. Use this unit correctly and properly. Failure to do so may cause damage and/or personal injury and will void the product warranty.

1



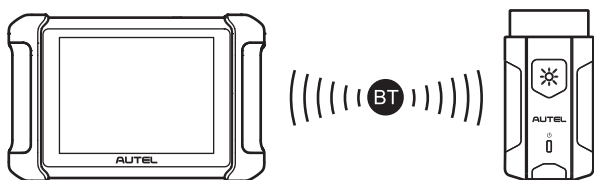
Insert the Vehicle Data Connector on the MaxiVCI V200 into the vehicle's DLC, which is generally located under the vehicle dash.

2



Make sure the Display Tablet has sufficient battery or is connected to the DC power supply. Power up the Display Tablet.

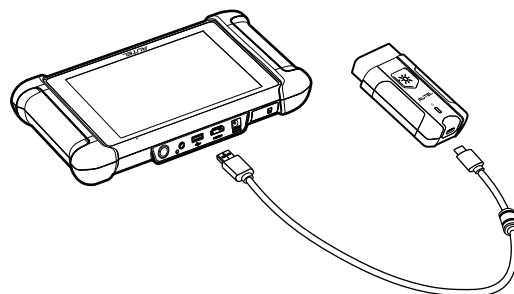
3



Pair up the Display Tablet with the MaxiVCI V200 via wireless BT to establish a communication link.

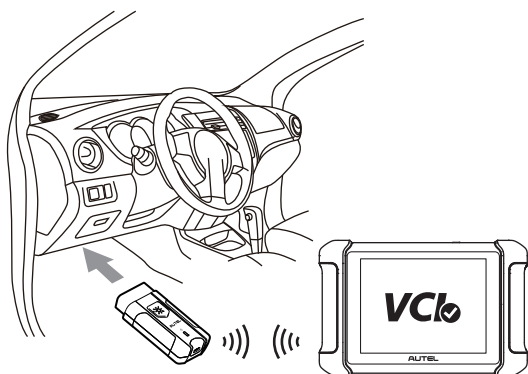
NOTE: The Display Tablet and the MaxiVCI V200 are configured to automatically synchronize with each other for first use, so there is no need to pair up.

OR



Or, connect the Display Tablet and MaxiVCI V200 using the USB cable.

4



When the MaxiVCI V200 is properly connected to the vehicle and the Display Tablet, the VCI status button at the bottom bar on the display screen shows a green check mark at the corner. This indicates the platform is ready to start vehicle diagnosis.

5



Your MaxiCOM MK906BT is now ready for use as a diagnostic device. Tap Update to view and update all available vehicle programs.

FCC STATEMENT :

This device complies with Part 15 of the FCC Rules. Operation is subject to the following two conditions:

- (1) This device may not cause harmful interference, and
- (2) This device must accept any interference received, including interference that may cause undesired operation.

Warning: Changes or modifications not expressly approved by the party responsible for compliance could void the user's authority to operate the equipment.

NOTE: This equipment has been tested and found to comply with the limits for a Class B digital device, pursuant to Part 15 of the FCC Rules. These limits are designed to provide reasonable protection against harmful interference in a residential installation. This equipment generates uses and can radiate radio frequency energy and, if not installed and used in accordance with the instructions, may cause harmful interference to radio communications. However, there is no guarantee that interference will not occur in a particular installation. If this equipment does cause harmful interference to radio or television reception, which can be determined by turning the equipment off and on, the user is encouraged to try to correct the interference by one or more of the following measures:

Reorient or relocate the receiving antenna.

Increase the separation between the equipment and receiver.

Connect the equipment into an outlet on a circuit different from that to which the receiver is connected.

Consult the dealer or an experienced radio/TV technician for help.

RF warning statement:

The device has been evaluated to meet general RF exposure requirement.