

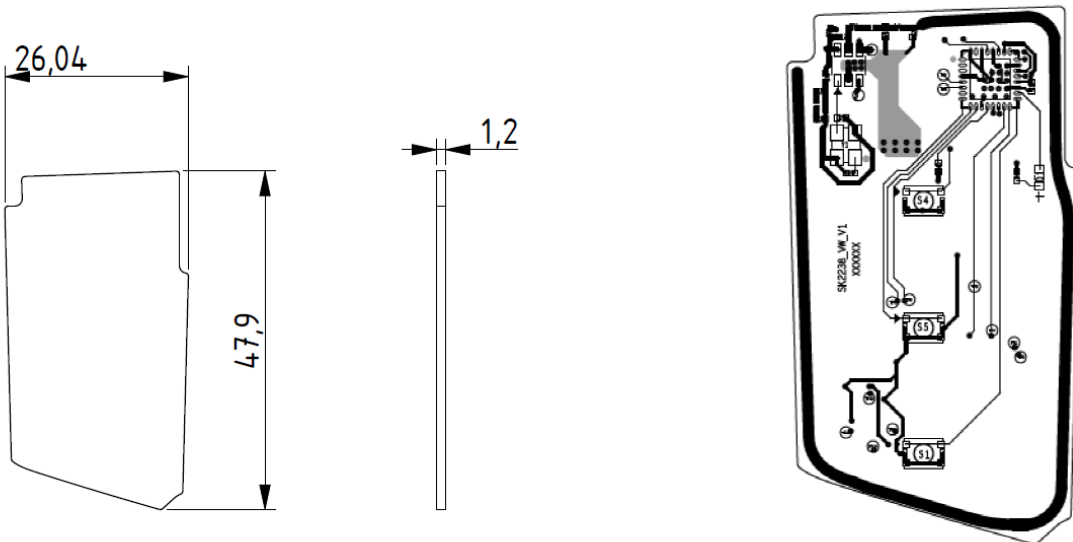
Antenna Specification

1. Antenna Description

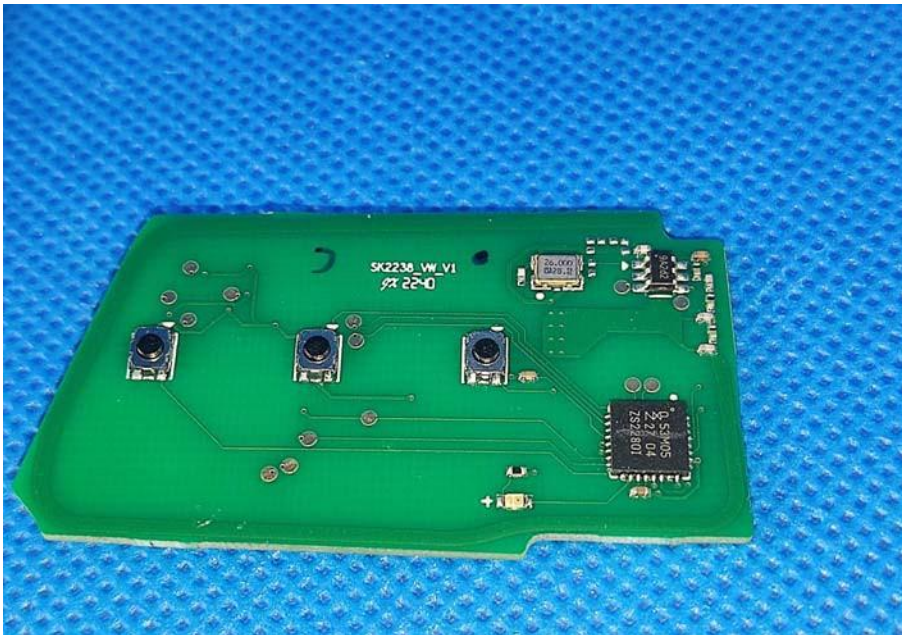
Antenna plate	PCB antenna
Make name/model name	/
Antenna gain	-3dBi Max.
Frequency range	315MHz, 434MHz
Connector type	Direct

2. External View Drawing;(UNIT:mm)

Picture of antenna

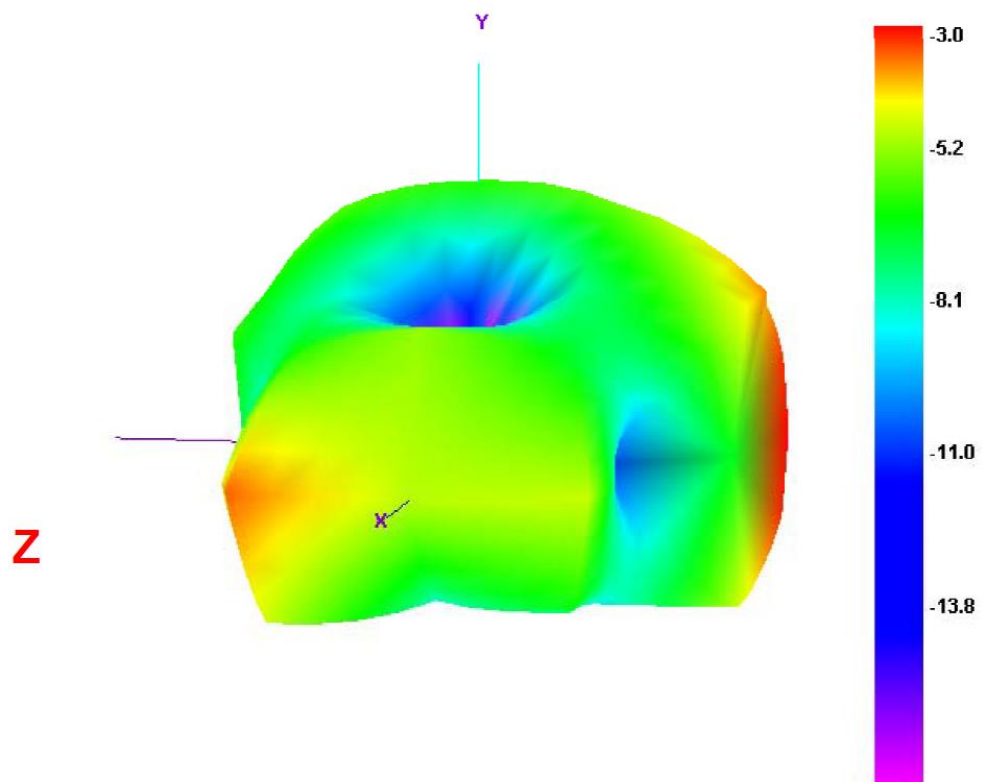


3. Picture of Antenna



4. Antenna Gain

-3.03dBi Max. @315MHz



-3.0dBi Max. @434MHz

