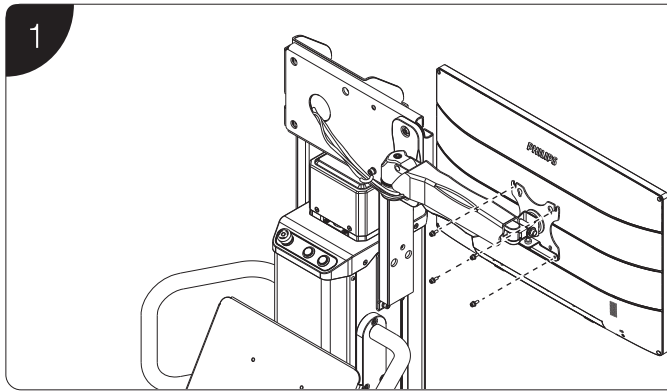


Thank you for purchasing this Autel tool. This tool is manufactured to a high standard and will provide years of trouble-free performance when used in accordance to these instructions and properly maintained.

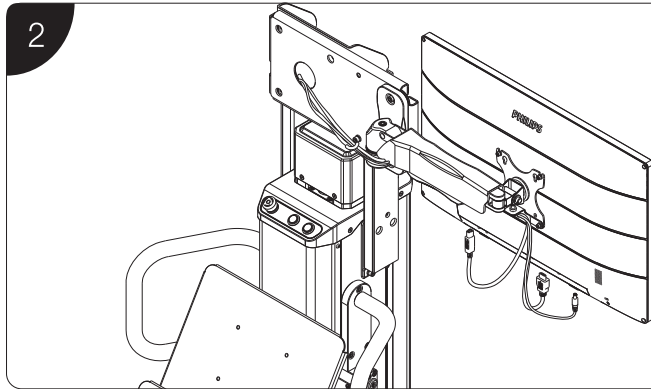
## Getting Started

**!** **IMPORTANT:** Before operating or maintaining this unit, please read these instructions carefully. Use this unit correctly and with care. Failure to do so may cause damage and/or personal injury and will void the product warranty.

## Install the Monitor

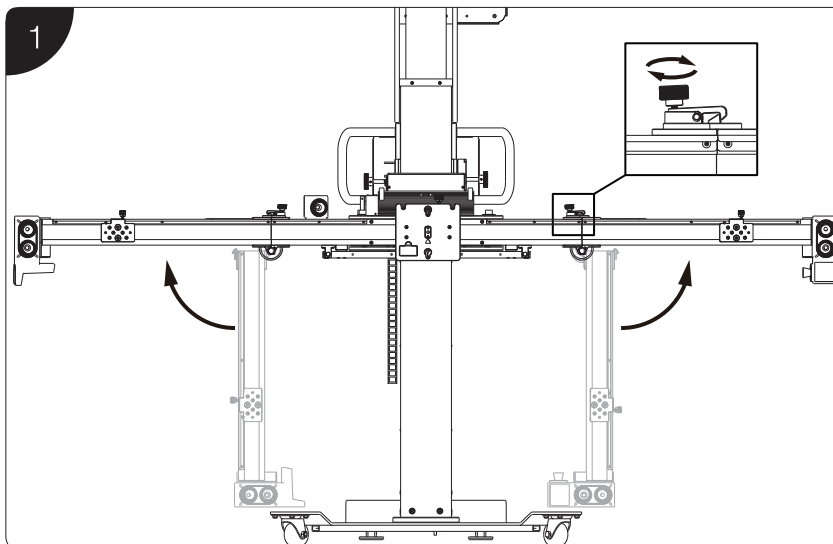


Remove the monitor and its accessories from the package; align the holes of the monitor with those of the monitor mount located at the top of the main frame; then use a hex L-wrench (3 mm) to install the four screws (M4) in the four holes of the monitor mount, and tighten them.



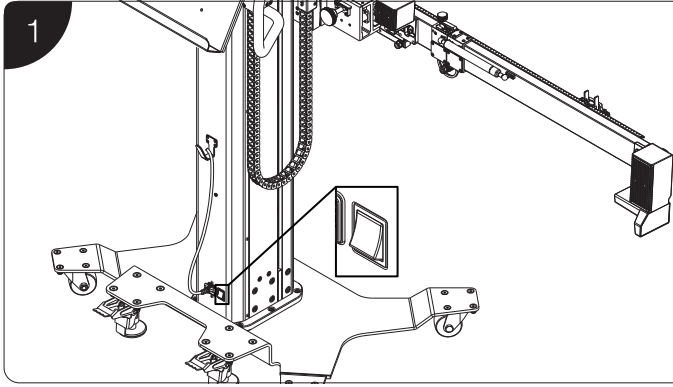
Plug the monitor's power cable, HDMI cable, and USB cable into the monitor's power input port, HDMI input port, and USB input port, respectively.

## Unfold the Crossbar



Manually raise both arms of the crossbar until they are parallel and make sure the folding arm latch is locked. Fasten the crossbar fastening knob to secure the crossbar.

## Power up the IA900WA



Once the main frame is in the proper location, plug the power cord at the bottom of the column into power socket, and then turn on the power switch. The power switch will light up red when the power is on.

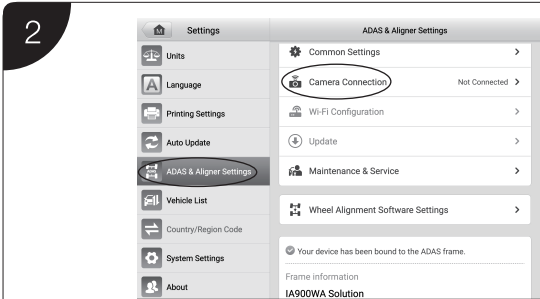
 **NOTE:** System power requirements: 85-305 volts AC, >5 amp, and 50-60 Hz (must be grounded).

## Connect the IA900WA via Wi-Fi

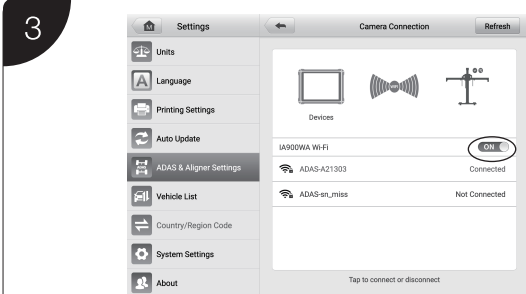


Turn on the MaxiSys tablet. Tap the **Settings** application on the MaxiSys Job Menu.

The tablet will connect to the IA900WA via Wi-Fi.




Tap the **ADAS & Aligner Settings** option on the left column. Tap the **Camera Connection** setting to display the Wi-Fi connection screen.

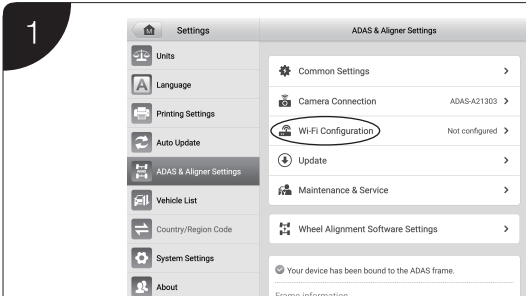


Swipe the Wi-Fi toggle to turn on IA900WA Wi-Fi. The tablet will search for available units. The IA900WA will display as "ADAS," suffixed with a serial number. Tap the appropriate unit to connect. When connection is established, the connection status reads "Connected."

**After the camera Wi-Fi is connected successfully, the IA900WA is ready to start vehicle calibration.**

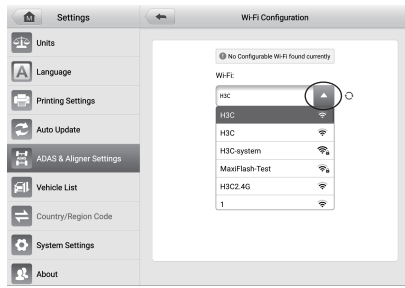
 **Note:** It may take up to 30 seconds to connect the tablet and the IA900WA. Please wait patiently.

 **NOTE:** Connect the MaxiSys tablet to your Wi-Fi (Internet accessible) network.



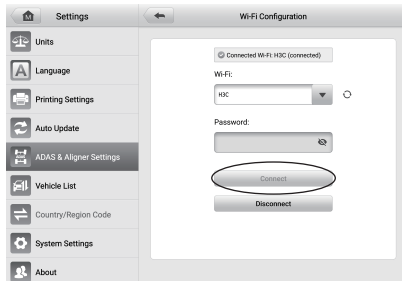
Tap **Settings > ADAS & Aligner Settings > Wi-Fi Configuration** to enter the Wi-Fi configuration screen.

2



Tap the dropdown list, select your Wi-Fi network, and enter your password when prompted.

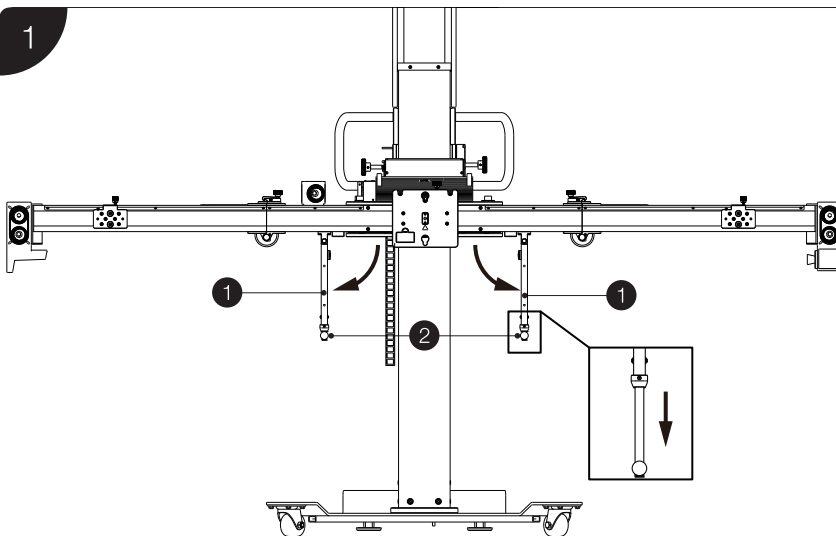
3



Tap the **Connect** button to connect to the selected Wi-Fi network. Once connected successfully, a message will display "Connected Wi-Fi: YOUR WI-FI NETWORK (connected)."

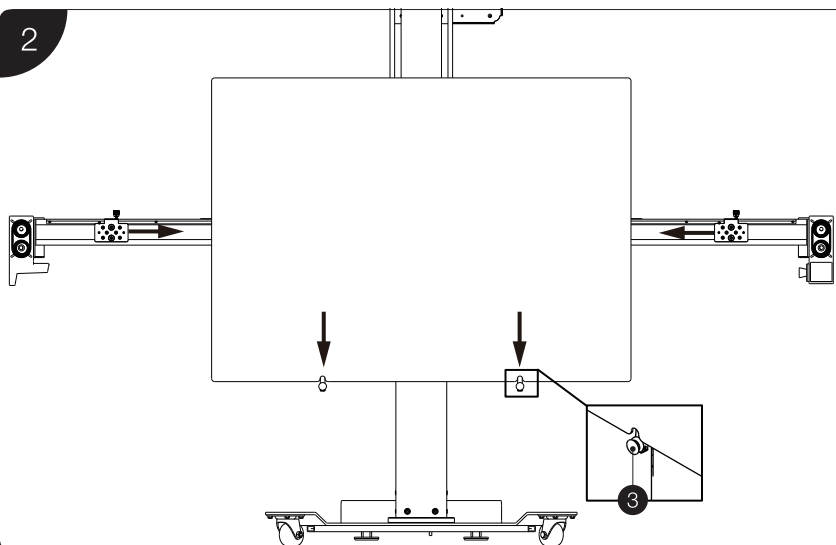
## Assemble the Pattern Board

1



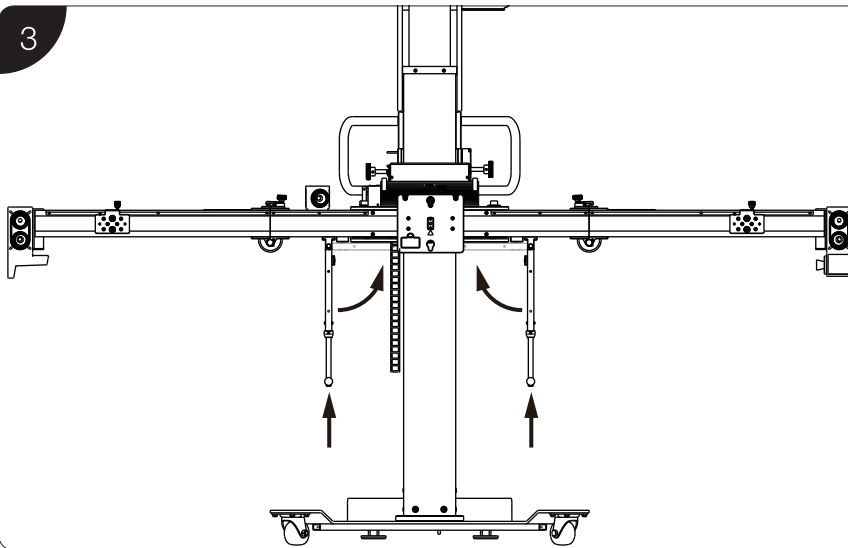
Unfold and straighten the left and right pattern board holders (1) from the crossbar. Pull the ends (2) down to extend the pattern board holders.

2



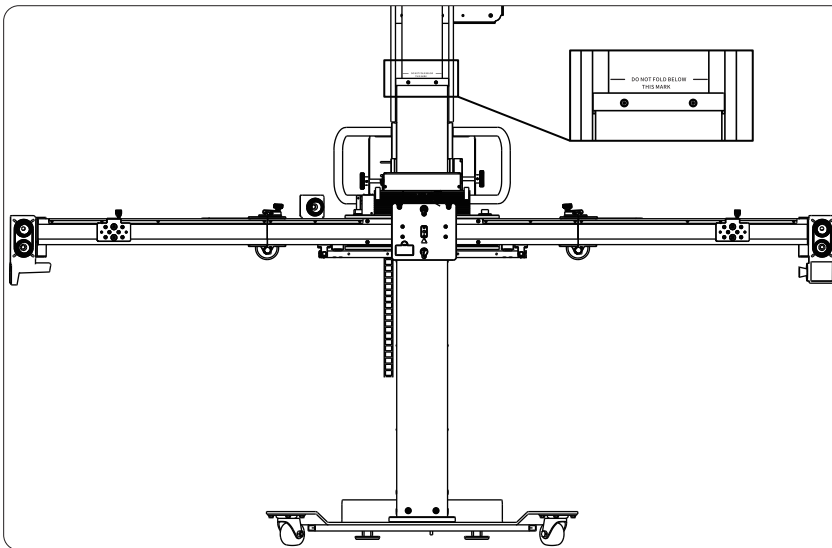
Align the grooves on the lower edge of the pattern board with the positioning spaces (3) on the pattern board holder ledges.

3



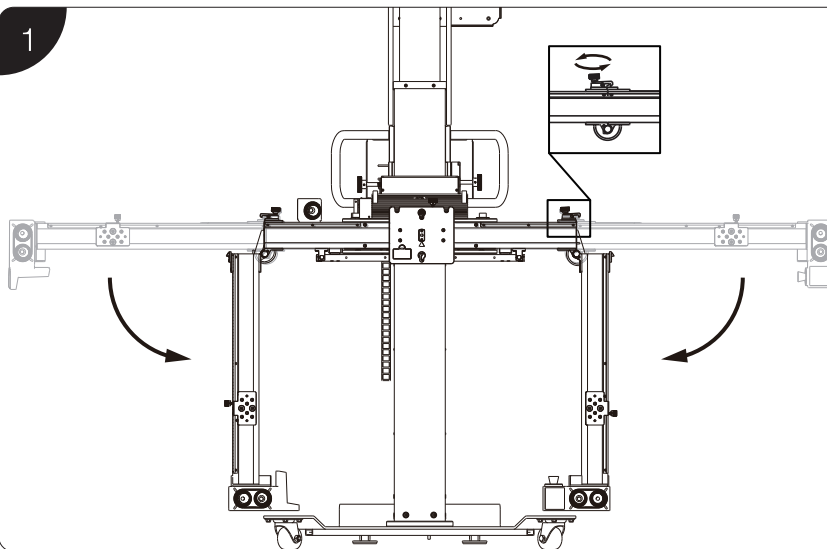
Remove the pattern boards after calibration. Push upwards and withdraw the pattern board holders. Raise and fold the left and right pattern board holders until they lock into the crossbar.

### Fold the Crossbar for Storage



**NOTE:** Ensure that the inner red column is aligned with the warning sign before folding the crossbar to prevent the cameras from striking the ground and getting damaged.

1



Fully loosen the crossbar fastening knob. Support the arm while pressing the knob to unlock it. Gently fold the arm downward for storage.

图号

|    |           |             |
|----|-----------|-------------|
|    | DATE      | DESCRIPTION |
| 内容 | 2022.1.17 | 更新内容        |
|    |           |             |

折页

对折

颜色



RELEASE LEVEL: &PROJ RELEASE  
FILENAME: MODEL NAME

注：设计部不指定供应商。效果做到参考样品一致即可。

|          |            |           |   |               |                    |                    |
|----------|------------|-----------|---|---------------|--------------------|--------------------|
|          |            |           | <b>AUTEL</b> 道通科技股份有限公司<br>Autel Intelligent Technology Corp.Ltd.   |               | TITLE: <b>快速指引</b> |                    |
| DIM      | Sheetmetal | Machining | These Drawings And Specification Are The Property Of AUTEL And Shall NOT Be Reproduced Copied Or Used In Any Manner Without The Prior Written Consent Of AUTEL. | DRAW: 张贝贝     | UNIT'S: 210x285 mm | DWGNO: AUT62060724 |
| 0-6      | 0.10       | 0.05      |   | CHKD: 刘桃英     | FINISH:            | PARTNO: 500006280  |
| 6-30     | 0.15       | 0.10      |   | STAD:         | MASS(Kg):          |                    |
| 30-120   | 0.25       | 0.15      |   | APPL: 王高      | SCALE:             |                    |
| 120-300  | 0.35       | 0.20      |   | SHEET: 1 OF 1 | PRODUCT: IA900WA   | Material: 120g书纸   |
| 300-600  | 0.50       | 0.25      |   | PROJ          |                    |                    |
| 600-1200 | 0.60       | 0.30      |   |               |                    |                    |
| >1200    | 0.80       | 0.50      |   |               |                    |                    |
| ANG.     | 1-         | 30'       |   |               |                    |                    |

## **FCC STATEMENT :**

This device complies with Part 15 of the FCC Rules. Operation is subject to the following two conditions:

- (1) This device may not cause harmful interference, and
- (2) This device must accept any interference received, including interference that may cause undesired operation.

**Warning:** Changes or modifications not expressly approved by the party responsible for compliance could void the user's authority to operate the equipment.

NOTE: This equipment has been tested and found to comply with the limits for a Class B digital device, pursuant to Part 15 of the FCC Rules. These limits are designed to provide reasonable protection against harmful interference in a residential installation. This equipment generates uses and can radiate radio frequency energy and, if not installed and used in accordance with the instructions, may cause harmful interference to radio communications. However, there is no guarantee that interference will not occur in a particular installation. If this equipment does cause harmful interference to radio or television reception, which can be determined by turning the equipment off and on, the user is encouraged to try to correct the interference by one or more of the following measures:

- Reorient or relocate the receiving antenna.
- Increase the separation between the equipment and receiver.
- Connect the equipment into an outlet on a circuit different from that to which the receiver is connected.
- Consult the dealer or an experienced radio/TV technician for help.

### **FCC Radiation Exposure Statement:**

This equipment complies with FCC radiation exposure limits set forth for an uncontrolled environment. This equipment should be installed and operated with minimum distance 20cm between the radiator & your body.

- English: "

This device complies with Industry Canada licence-exempt RSS standard(s). Operation is subject to the following two conditions:

- (1) this device may not cause interference, and
- (2) this device must accept any interference, including interference that may cause undesired operation of the device."

- French:"

Le présent appareil est conforme aux CNR d'Industrie Canada applicables aux appareils radio exempts de licence. L'exploitation est autorisée aux deux conditions suivantes :

- (1) l'appareil n' doit pas produire de brouillage, et
- (2) l'utilisateur de l'appareil doit accepter tout brouillage radioélectrique subi, même si le brouillage est susceptible d'en compromettre le fonctionnement."