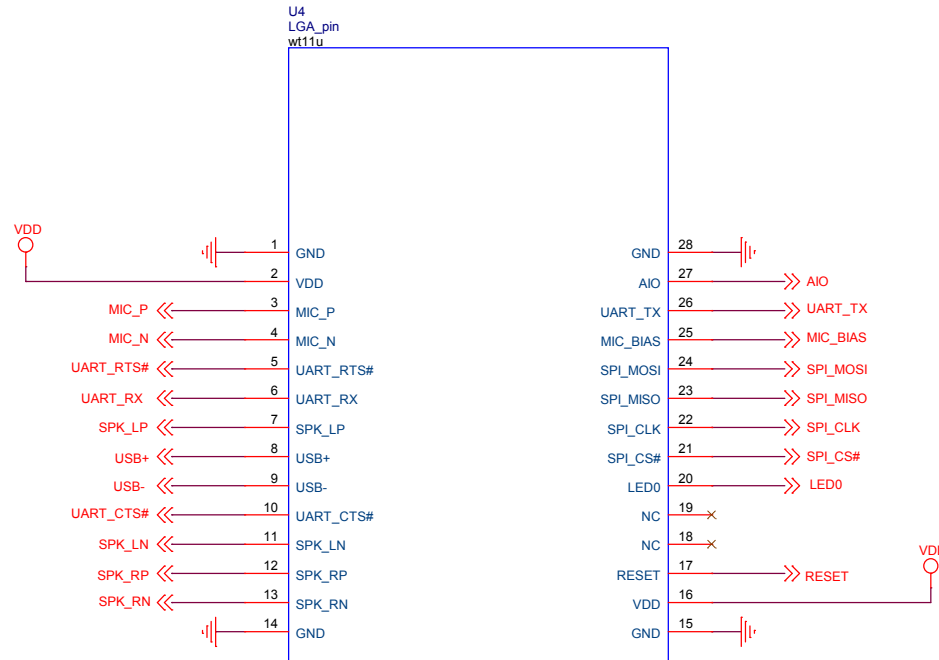

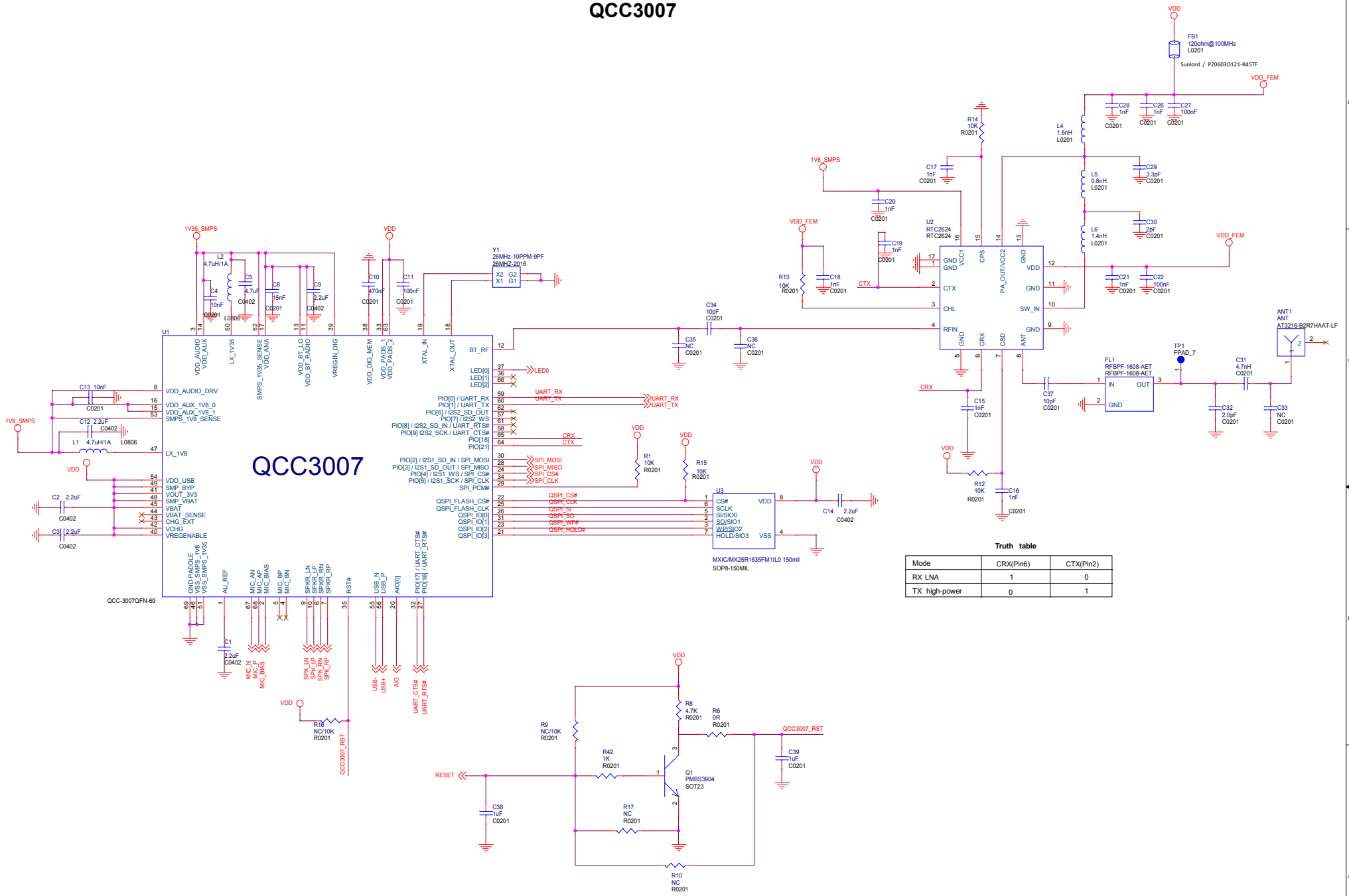


# Module Pin



|   |   |
|---|---|
| Shenzhen Goodocom Information Technology Co., LTD |   |
| GOC-Q82007W V1.1                                  |   |
| Rev: 1.0  | Date: Friday, March 12, 2021  |
| Size: B   | Sheet 1 of 2  |
| R&D: Wang Ning                                    |  |

# QCC3007



Truth table

| Mode          | CRX(Pin6) | CTX(Pin2) |
|---------------|-----------|-----------|
| RX LNA        | 1         | 0         |
| TX high-power | 0         | 1         |