

**AUTEL**

**AUTEL-CSCC100**

**ADAS Calibration Frame**

Model: IA700

FCC ID: WQ8-DA2211

AC Input: 100–264 VAC, 50/60 Hz

IC: 10826A-DA2211

Current: 5 A Max

This device complies with Part 15 of the FCC Rules.

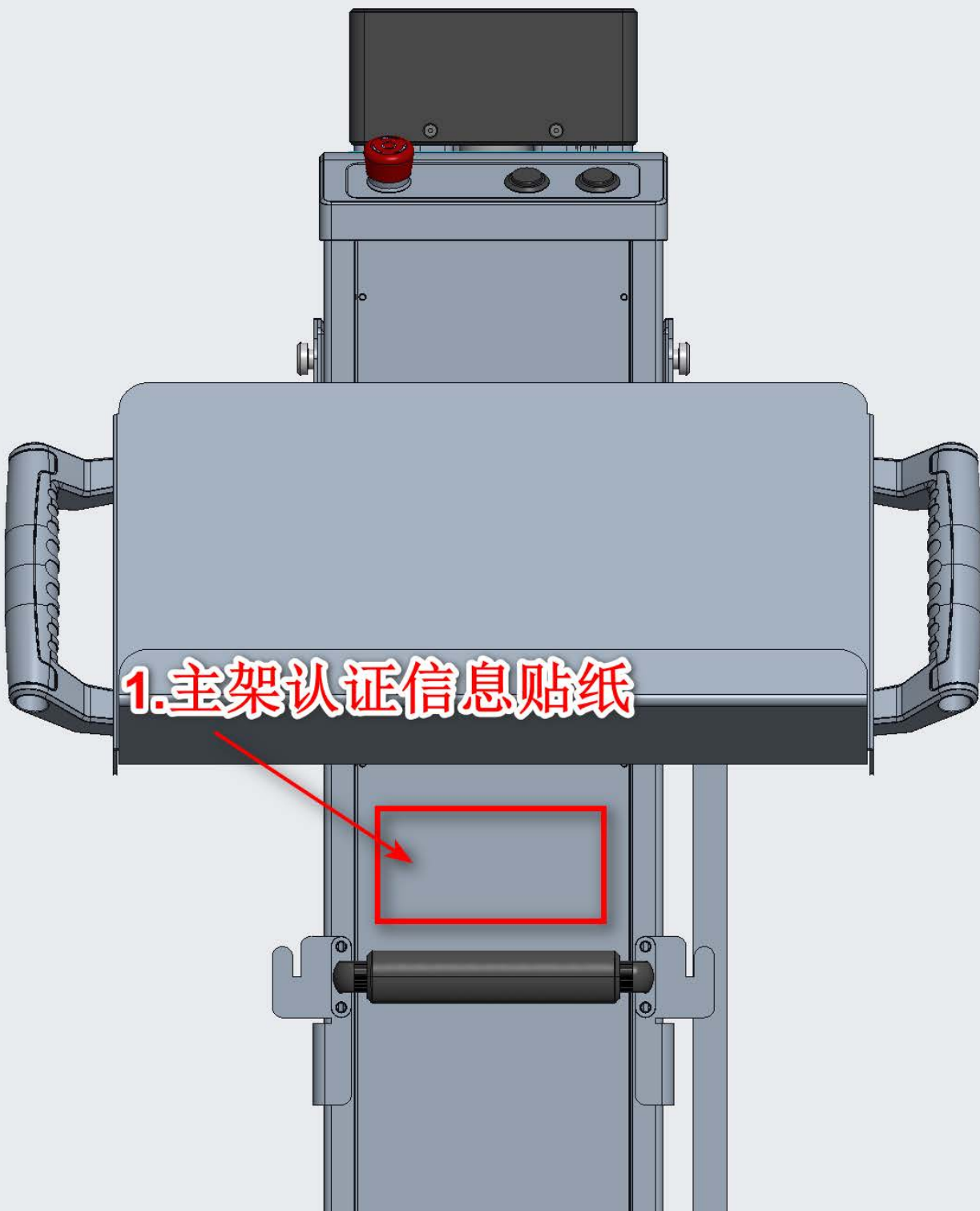
Operation is subject to the following two conditions:

- (1) This device may not cause harmful interference, and
- (2) This device must accept any interference received, including interference that may cause undesired operation.



Autel Intelligent Technology Corp., Ltd.

Made in China



1.主架认证信息贴纸