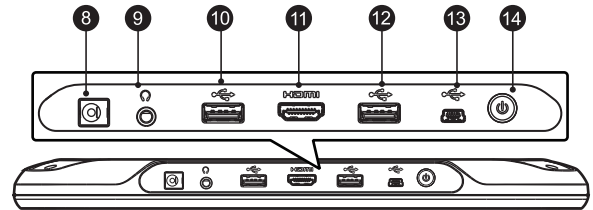
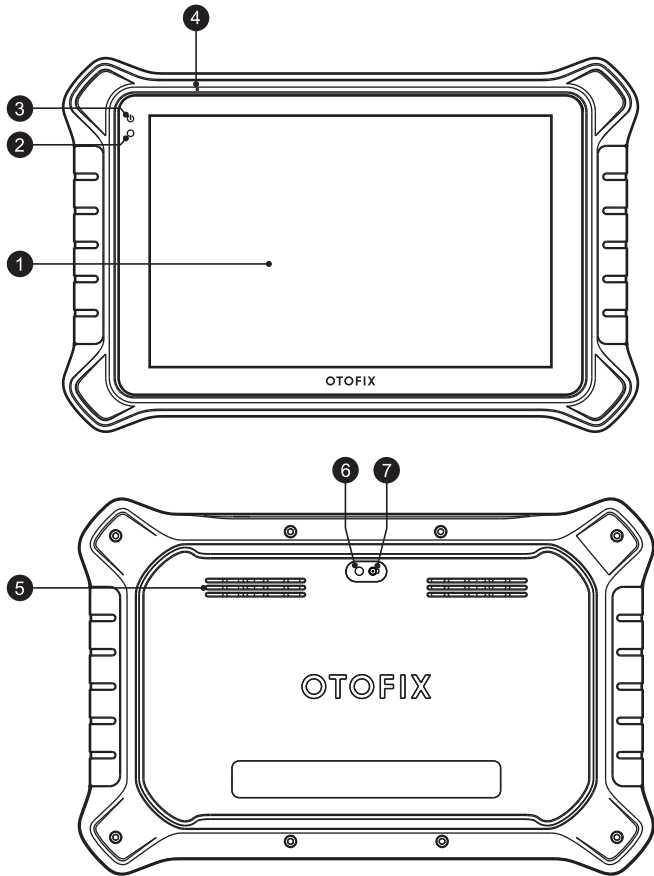


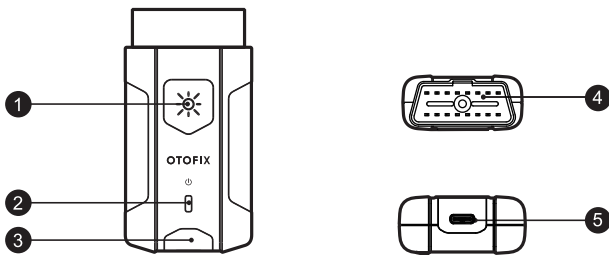
Thank you for purchasing OTOFIX D1 Pro diagnostic tool. This tool is manufactured to a high standard and will provide years of trouble-free performance when used in accordance to these instructions and properly maintained.

## Functional Description



1. 10.1-inch Touchscreen
2. Ambient Light Sensor — detects ambient brightness.
3. Power LED
4. Microphone
5. Speaker
6. Camera Flash
7. Camera Lens
8. DC Power Supply Input Port
9. Headphone Jack
10. USB Port
11. HDMI (high-definition multimedia interface) Port
12. USB Port
13. Mini USB Port
14. Lock/Power Button — turns the device on & off with long press, or locks the screen with short press.

## OTOFIX V1



1. Flashlight Button
2. Power LED
3. Vehicle/Connection LED
4. Vehicle Data Connector (16-pin)
5. USB Port

## OTOFIX V1 Description

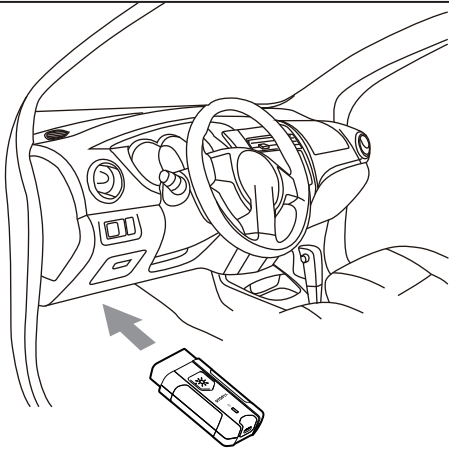
LED	Color	Description
Power LED	Yellow	VCI is powered on and performing self-check.
	Green	VCI is ready for use.
	Flashing Red	Firmware is updating.
Vehicle/ Connection LED	Green	<ul style="list-style-type: none"> <li>• <b>Solid Green:</b> VCI is connected via USB cable.</li> <li>• <b>Flashing Green:</b> VCI is communicating via USB cable.</li> </ul>
	Blue	<ul style="list-style-type: none"> <li>• <b>Solid Blue:</b> VCI is connected via Bluetooth.</li> <li>• <b>Flashing Blue:</b> VCI is communicating via Bluetooth.</li> </ul>

# Getting Started



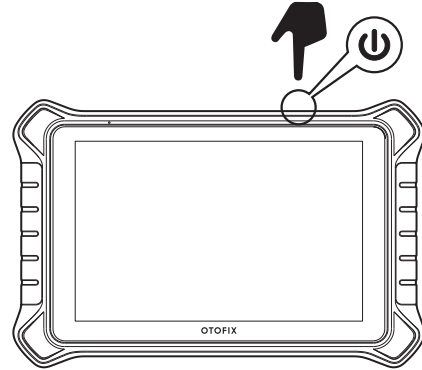
**IMPORTANT:** Before operating or maintaining this unit, please read the Quick Reference Guide and User Manual carefully, paying extra attention to the safety warnings and precautions. Failure to use this unit correctly may cause damage and/or personal injury and will void the product warranty.

1



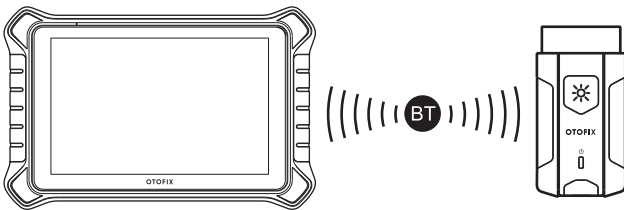
- Insert the V1 into the OBDII port, which is generally located under the vehicle dashboard.

2



- Long press the Lock/Power button to power up the diagnostic tablet. Ensure the tablet has a charged battery or is connected to the DC power supply.

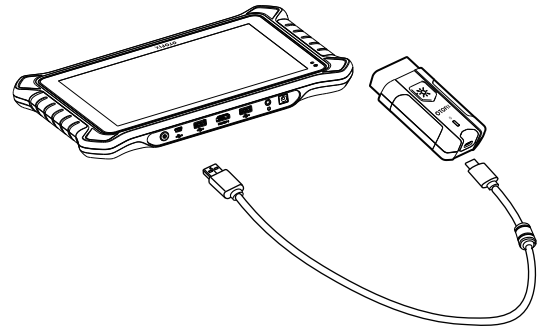
3



- Pair up the diagnostic tablet with the V1 via Bluetooth to establish a communication link.

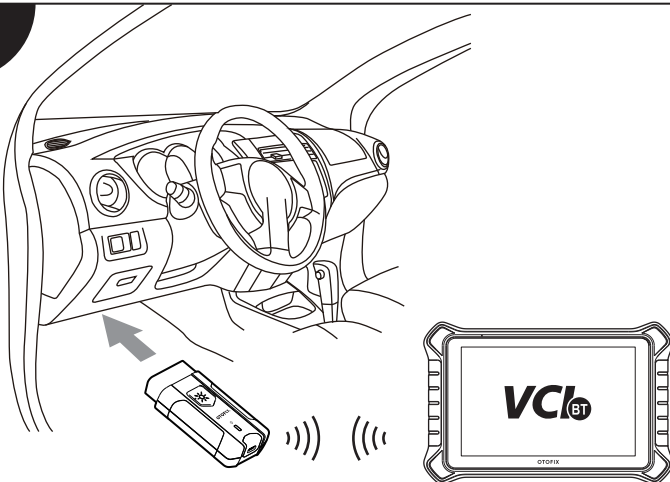
**NOTE:** The diagnostic tablet and the V1 are configured to automatically synchronize with each other on the initial use, therefore, the pair up is not required.

OR



- Pair up the diagnostic tablet with the V1 via USB to establish a communication link.

4



- When the V1 is properly connected to the vehicle and the diagnostic tablet, the VCI status button at the bottom bar on the screen displays a green badge. This indicates your diagnostic tablet is ready to start vehicle diagnosis.

	POSITION	DATE	DESCRIPTION

**FCC STATEMENT :**

*This device complies with Part 15 of the FCC Rules. Operation is subject to the following two conditions:*

- (1) This device may not cause harmful interference, and  
(2) This device must accept any interference received, including interference that may cause undesired operation.*

*Warning: Changes or modifications not expressly approved by the party responsible for compliance could void the user's authority to operate the equipment.*

*NOTE: This equipment has been tested and found to comply with the limits for a Class B digital device, pursuant to Part 15 of the FCC Rules. These limits are designed to provide reasonable protection against harmful interference in a residential installation. This equipment generates uses and can radiate radio frequency energy and, if not installed and used in accordance with the instructions, may cause harmful interference to radio communications. However, there is no guarantee that interference will not occur in a particular installation. If this equipment does cause harmful interference to radio or television reception, which can be determined by turning the equipment off and on, the user is encouraged to try to correct the interference by one or more of the following measures:*

*Reorient or relocate the receiving antenna.  
Increase the separation between the equipment and receiver.  
Connect the equipment into an outlet on a circuit different from that to which the receiver is connected.*

*Consult the dealer or an experienced radio/TV technician for help.*

*RF warning statement:*

*The device has been evaluated to meet general RF exposure requirement. The device can be used in portable exposure condition without restriction.*

**IC STATEMENT**

- English: "

This device complies with Industry Canada licence-exempt RSS standard(s). Operation is subject to the following two conditions:

- (1) this device may not cause interference, and  
(2) this device must accept any interference, including interference that may cause undesired operation of the device."

- French:"

Le présent appareil est conforme aux CNR d'Industrie Canada applicables aux appareils radio exempts de licence. L'exploitation est autorisée aux deux conditions suivantes :

- (1) l'appareil n' doit pas produire de brouillage, et  
(2) l'utilisateur de l'appareil doit accepter tout brouillage radioélectrique subi, même si le brouillage est susceptible d'en compromettre le fonctionnement."

**SAR STATEMENT :**

This equipment complies with FCC radiation exposure limits set forth for an uncontrolled environment. End user must follow the specific operating instructions for satisfying RF exposure compliance. The device is designed to meet the requirements for exposure to radio waves established by the Federal Communications Commission (USA). These requirements set a SAR limit of 1.6 W/kg averaged over one gram of tissue. The highest SAR value reported under this standard during product certification for use when properly worn on the body is 0.645 W/kg.

A

B

C

D

E

A

B

C

D

E

F