

PDI-P40LCDE solution:

TV MSD119+XC5000 +LGDT1129+MSD7828

Panel 40' LTA400HM07 三星

Inverter : build in with panel

Power supply : IN : 100-240Vac, 50-60Hz

OUT: 24V@9A, 12V@4A, 5V@0.2A

1、 Features

- ◎ 40' 16:10 panel ,1920X 1080
- ◎ Y/Pb/Pr interface ,support 480P ,720P,1080I.
- ◎ Support AV VGA S-Video HDMI, SPDIF out ,CCI&MTI ,PILLOW SPEAKER ,NTSC/ATSC TUNER,FM,Wireless Audio
- ◎ V-chip and CCD

2、 General Specifications

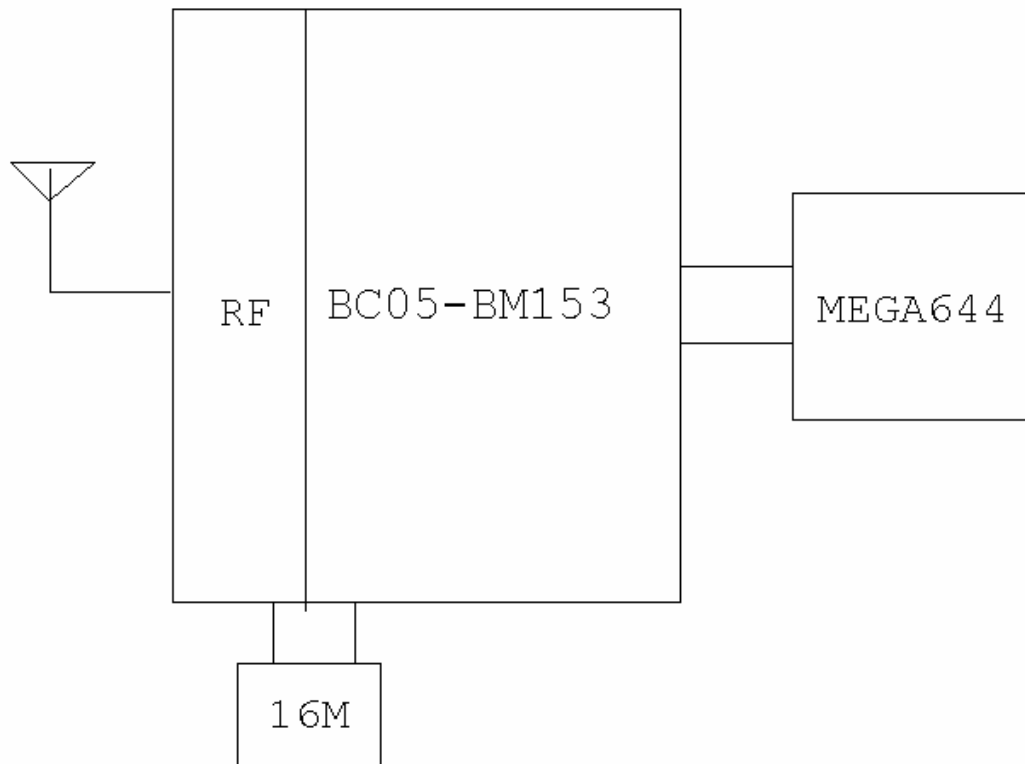
Voltage	120V
Temperature	-10~+40℃
Frequency Range	57~ 803MHz
Receive Sensitivity	0DB~80DB
Power Consumption	220W

3、 Wireless Audio (Bluetooth) Module

1、 Features

- 1).Fully qualified Bluetooth V2.0+EDR system
- 2).Enhanced Data Rate(EDR) compliant for both 2Mbps and 3Mbps supported

2. Block diagram



3、 General Specifications

Bluetooth Standard	Bluetooth v2.0+EDR Standard
Major Chipset	BC57E687
Dimension	21mm×13.5mm×2mm
Antenna	integrated, 1pcs
Gain	2.0dBi
Voltage	3.3V Internal 1.5V and 1.8V regulator
Temperature	0~80°C
Storage temperature	-40~105°C
Frequency Range	2402Mhz~2480Mhz
Modulation	2Mbps and 3Mbps