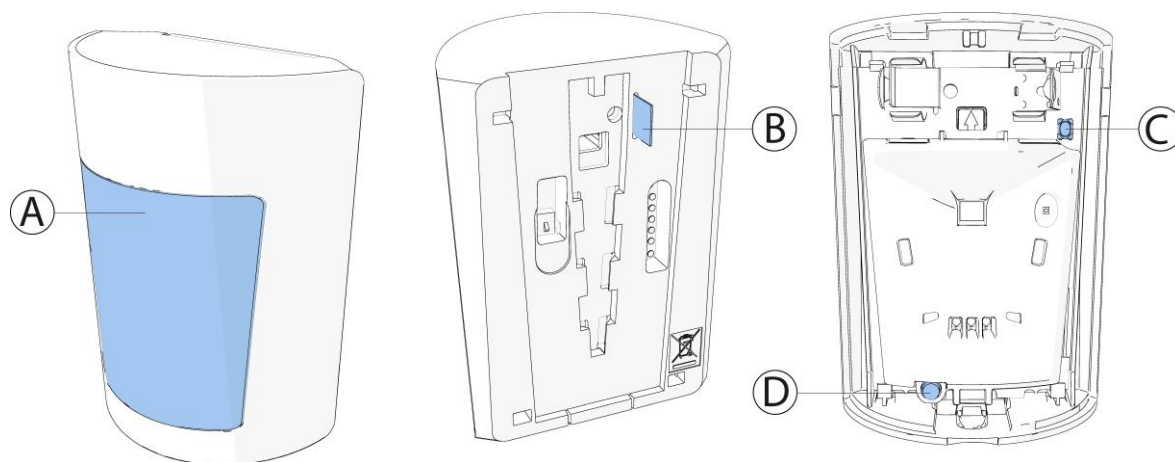


## Installation guidelines

The reference to MP-802 PG+ throughout this manual includes the model MP-802 P9M0.

- ⚠ **CAUTION:** Only qualified personnel may install this equipment. Place this device in non-hazardous indoor locations only.
- **Important:** Check the device and the entire alarm system weekly to ensure optimal performance.
- ① **Note:** To comply with FCC and ISED Canada RF exposure compliance requirements, locate the device at a distance of at least 20 cm from all persons during normal operation. Do not co-locate the antennas used for this product, or operate them in conjunction with any other antenna or transmitter.

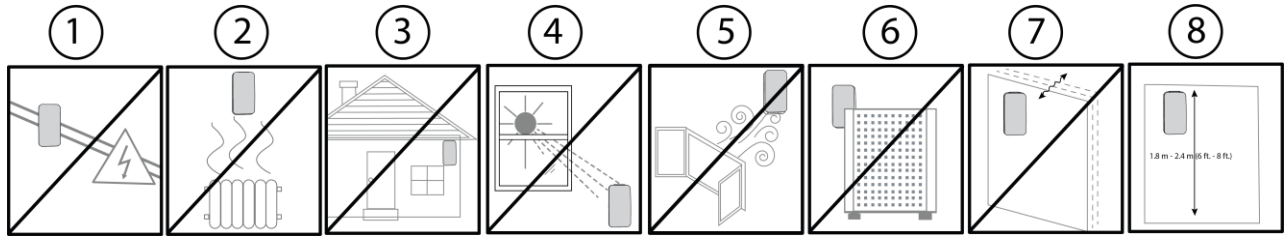
Figure 1: MP-802 PG+



Callout	Description
A	Lens
B	Battery pull-tab
C	Enroll button
D	Tamper switch

For more information refer to [About MP-802 PG+](#).

**Figure 2: Optimizing detection and avoiding false alarms**



1. Do not install near high-voltage electrical lines.
2. Keep away from heat sources.
3. Do not install outdoors.
4. Avoid direct sunlight.
5. Do not expose to air drafts.
6. Do not install behind partitions.
7. Do not mount on an unstable surface.
8. Install on a solid and stable surface at a height of 1.8 m to 2.4 m (6 ft. to 8 ft.)

**Warning!** Do not obscure partially or completely the device's field of view.

## Enrolling the device

1. Refer to the control panel installation manual for the complete set of enrollment instructions and testing procedures.
2. From the **Installation** menu, enter the **Device enrollment** menu and select the option to add a new device.
3. Remove the battery pull-tab to power on the device and begin the auto-enrollment process. If the battery pull-tab is not available or if the device does not automatically enroll, open the device cover to trigger the enrollment. Alternatively, press the enroll button until the yellow LED light turns on. See Figure 1 C.
4. If requested, enter the PIN code printed on the device label.
5. To manually enroll the device:
  - a. Scan the QR Code on the device box, using the IQ4 camera if available, or see step b.
  - b. Manually enter the device ID, printed on the product label, in the format ID:125-xxxx.

① **Note:** If the device has been powered up for more than 2 hours it will be identified by the system only after the device has been reset.

The MP-802 PG+ is enrolled with device ID 125-XXXX. In fall back mode it enrolls as MP-802 K9-85 PG2 with device ID 126-XXXX.

6. Select the desired zone.
7. Configure any device parameters that are required.
8. Mount and test the device. See [Local diagnostics test](#) for information on testing the device.

## Configuring the device parameters

1. Enter the **DEVICE SETTINGS** menu and select the required configuration as described in the following table.

**Table 1: Configuration options**

Option	Action
Alarm LED	Define whether the alarm LED indication will be activated. Optional settings: <b>LED ON</b> (default) and <b>LED OFF</b> .
Event counter	Define whether an alarm will be activated upon continued motion (low sensitivity) or upon a single alarm event (high sensitivity). Optional settings: <b>LOW sensitivity</b> (default) and <b>HIGH sensitivity</b> .
Disarm activity	Define whether the device is active when the system is disarmed. Optional settings: <b>NOT Active</b> (default), <b>no delay</b> , <b>5 s delay</b> , <b>15 s delay</b> , <b>30 s delay</b> , <b>1 min delay</b> , <b>2 min delay</b> , <b>5 min delay</b> , <b>10 min delay</b> , <b>20 min delay</b> and <b>60 min delay</b> .
VERY HOT > 35°C [>95°F]	Define whether or not the control panel will report a very hot alert when the temperature rises above the threshold value for at least the <b>Alert Delay</b> duration value. Alert restore will occur when the temperature drops 1°C (1.8°F) below the threshold for at least the <b>Restore Delay</b> duration. ① <b>Note:</b> The default threshold value for very hot is 35°C (95°F). Optional settings: See Configuring the Temperature Alerts.
COLD < 19°C [<66°F]	Define whether or not the control panel reports a cold alert when the temperature drops below the threshold value for at least the <b>Alert Delay</b> duration. Alert restore occurs when the temperature rises 1°C (1.8°F) above the threshold for at least the <b>Restore Delay</b> duration. ① <b>Note:</b> The default threshold value for cold is 19°C (66°F). Optional settings: See Configuring the Temperature Alerts.

**Table 1: Configuration options**

Option	Action
FREEZING < 7°C [<45°F]	<p>Define whether or not the control panel will report a freezer alert when the temperature drops below the threshold value for at least the <b>Alert Delay</b> duration. Alert restore will occur when the temperature rises 1°C (1.8°F) above the threshold for at least the <b>Restore Delay</b> duration.</p> <p>① <b>Note:</b> The default threshold value for freezing is 7°C (45°F).</p> <p>Optional settings: See Configuring the Temperature Alerts.</p>
FREEZER > -10°C [>14°F]	<p>Define whether or not the control panel will report a freezer alert when the temperature rises above the threshold value for at least the <b>Alert Delay</b> duration. Alert restore will occur when the temperature drops 1 °C (1.8 °F) below threshold for at least the <b>Restore Delay</b> duration.</p> <p>① <b>Note:</b> The default threshold value for freezer is -10°C (14°F).</p> <p>Optional settings: See Configuring the Temperature Alerts.</p>

## Configuring the temperature alerts

You can configure the temperature alerts with the settings described in the following table.

**Table 2: Temperature alert configuration options**

Option	Action
Threshold	Displays the last saved threshold value and provides the installer with the ability to change the value using the back or next button.
Disable/Enable	Define whether the panel reports an alert or not.
Alert delay	Define the amount of time the panel waits before an alert is reported when the temperature exceeds the defined default. The alert delay time values are: <b>Immediately, 1 min, 2 min, 10 min (default), 15 min, 20 min, 30 min.</b>
Restore delay	Define the amount of time the panel waits before an alert is reported when the temperature exceeds the defined default. The restore delay time values are: <b>Immediately, 1 min, 2 min, 10 min (default), 15 min, 20 min, 30 min.</b>

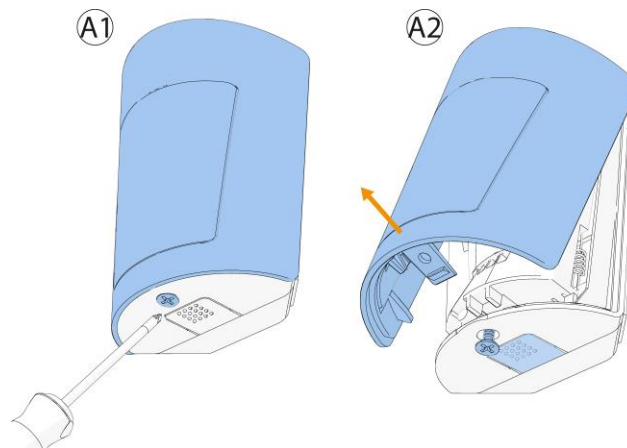
## Installing the pet mask

Install the pet mask if you require pet immunity. The optimal installation height for pet immunity is 2.1 m (7 ft.). Pet immunity is for pets weighing up to 38 kg (85 lb).

① **Note:** Pet immunity is not supported at heights of 2.4 m (7.87 ft.) and above. Do not install the pet mask if you are mounting the device at this height or above.

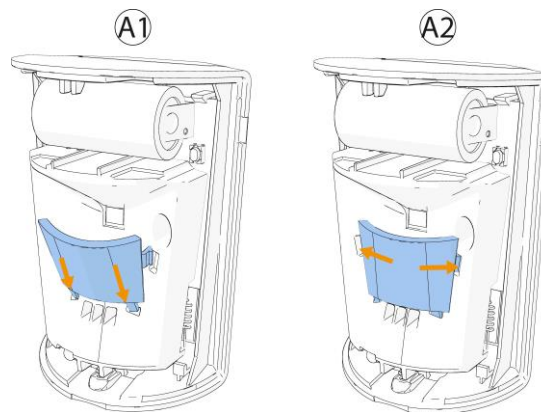
1. To open the device cover, use a screwdriver to loosen the cover screw located on the underside of the device. See A1 in the following figure. Press the snap to separate the base from the cover. See A2 in the following figure.

**Figure 3: Device cover removal**



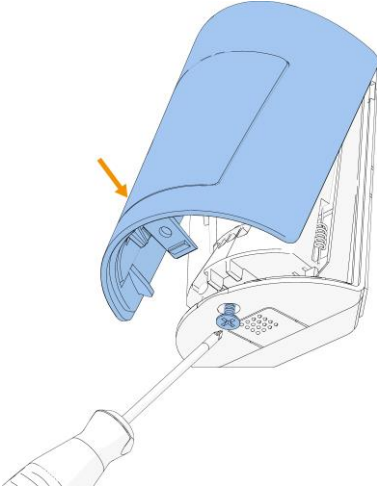
2. Insert the tabs at the base of the pet mask into the bottom holes and align the tabs on the sides with the holes on both sides. See the following figure.
3. Press down gently to install the pet mask.

**Figure 4: Installing the Pet Mask**



4. To close the device cover, clip the cover onto the device base and tighten the cover screw. See the following figure.

**Figure 5: Closing the device cover**



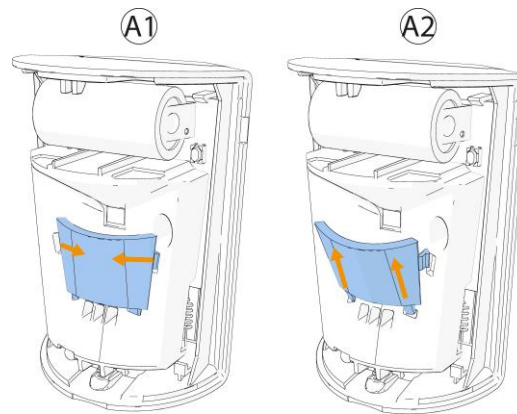


## Removing the pet mask

Remove the pet mask if you do not require pet immunity.

1. Open the device cover. See Figure 3.
2. Remove the tabs at the side of the pet mask from both holes and gently lift the pet mask out from the bottom holes. See the following figure.

**Figure 6: Removing the Pet Mask**

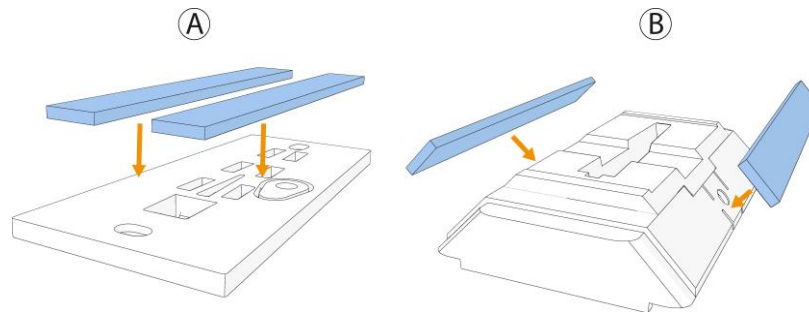


3. Close the device cover. See Figure 5.

## Mounting the device using tape

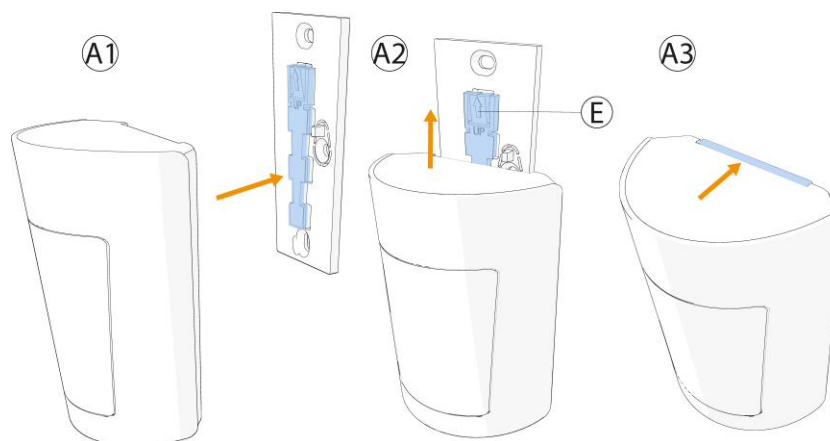
1. Peel the release liners off the two strips of double-sided adhesive tape and attach the tape to the back of the bracket.  
See Figure 7 A for flat surface mounting and B for corner surface mounting.

**Figure 7: Double-sided adhesive tape placement on the bracket**



2. For corner surface mounting, ensure the corner mounting insert is attached to the back of the corner bracket. See Figure 10 B.
3. Mount the bracket on the wall.
4. Align the device with the bracket. See A1 in the figure below.
5. Slide the device upward until a click is heard. See A2 and A3 in the figure below.

**Figure 8: Attaching the device to the flat bracket**



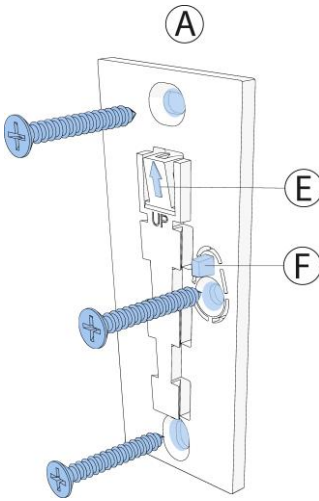
# Mounting the device using screws

**Note:**

Make sure to fasten the break-away segment to the frame. If the device is forcibly removed from the wall, this segment will break away from the base, causing the tamper switch to open.

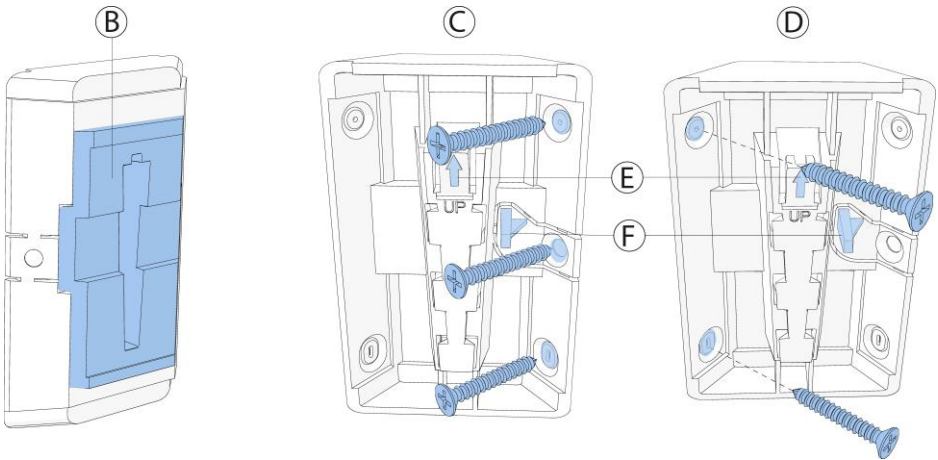
1. To mount the device on a flat surface, screw the flat bracket to the wall. See the following figure.

**Figure 9: Flat bracket screw installation**



2. To mount the device on a corner surface, ensure the corner mounting insert is attached to the back of the corner bracket. See B in the following figure.

**Figure 10: Corner bracket screw installation**



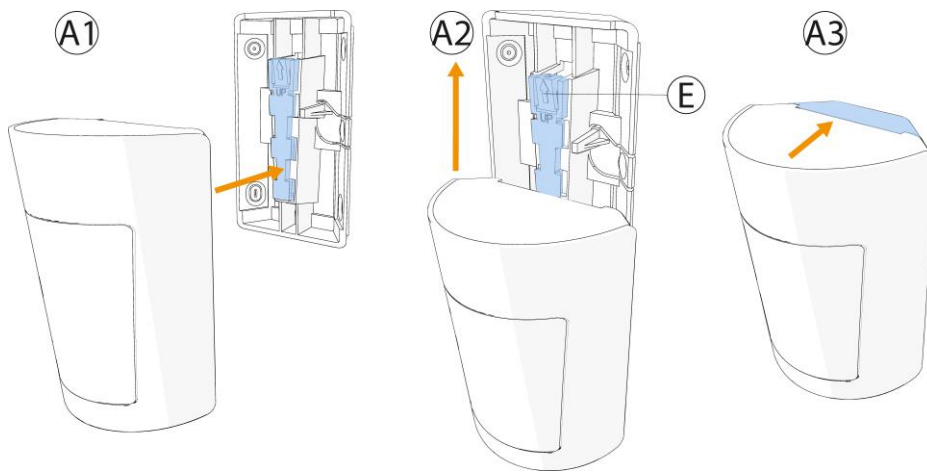
Callout	Component
E	Stopper snap
F	Break-away segment

3. Screw the corner bracket to the wall. See C in the previous figure.
4. **Optional:** If the installation surface does not allow for mounting the bracket with screws in the right side, screw the corner bracket using the two left side screw holes. See D in the previous figure.

► **Important:** When mounted like this, back tamper protection is not available.

5. Align the device with the bracket. See A1 in the following figure.
6. Slide the device upward until a click is heard. See A2 and A3 in the following figure.

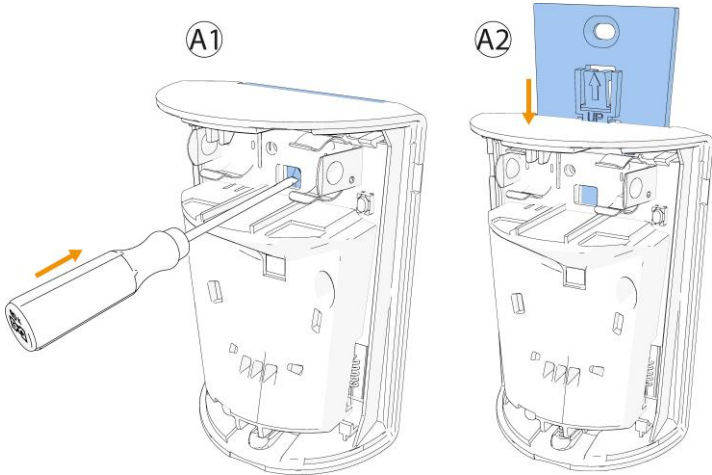
**Figure 11: Attaching the device to the corner bracket**



# Disassembling the device from the bracket

- 1. Open the device cover. See Figure 3.
- 2. Remove the battery.
- 3. Use a screwdriver to press on the stopper snap to release the device base from the bracket. See A1 in the following figure.
- 4. Slide the device downwards to remove it from the bracket. See A2 in the following figure.

**Figure 12: Disassembling the device from the bracket**



## Replacing the battery

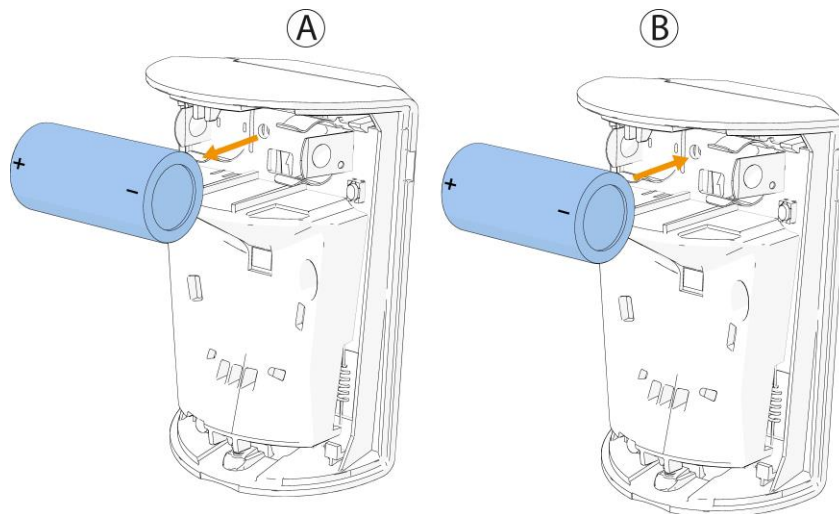
**⚠ CAUTION:** Risk of explosion if battery is replaced by an incorrect type. Dispose of used batteries according to the manufacturer's instructions and according to local rules and regulations.

1. Open the device cover. See Figure 3.
2. Remove the battery. See A in the following figure.

**① Note:** It is recommended to wait about 1 minute after battery removal before inserting the new battery.

3. Insert the new battery while observing battery polarity. See B in the following figure.

**Figure 13: Battery removal and insertion**



4. Press down on the battery until it fits into place.
  5. Close the device cover and fasten the cover screw. See Figure 5.
- ① Note:** After restoring a low battery, the system may take up to 5 minutes to clear the trouble.

## Local diagnostics test

After power-up or closing the cover, the device automatically enters Test Mode for 15 minutes. To manually enter the devices into Test Mode refer to the Control Panel Installer Guide.

1. Before you start the test, remove the device cover from the base. See Figure 3.
2. Close the cover to return the tamper switch to its normal position.
3. The device enters a 2 minute stability period. During this time the red LED blinks.
4. Walk-test the coverage area. See the figure below. Walk across the far end of the coverage pattern in both directions. The red LED lights each time your motion is detected followed by 3 LED blinks.

The following table indicates received signal strength indication:

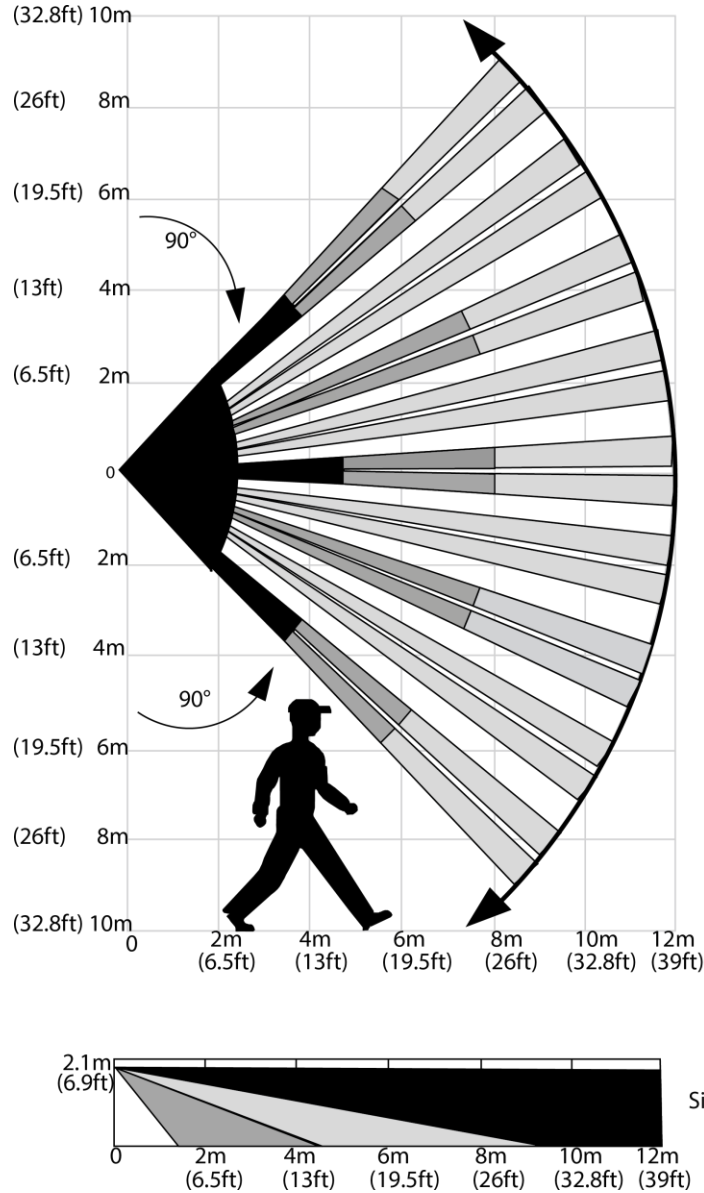
**Table 3: Signal strength indication**

LED response	Reception
Green LED blinks	Strong
Orange LED blinks	Good
Red LED blinks	Poor
No blinks	No communication

► **Important:** Reliable reception must be assured. Therefore, poor signal strength is not acceptable. If you receive a poor signal from the device, relocate it and re-test until a strong signal strength is received.

ⓘ **Note:** It is recommended to have a strong signal strength and you must verify the signal strength using the control panel's diagnostic test. For detailed Diagnostics Test instructions, refer to the control panel installer guide.

**Figure 14: Coverage pattern walk test**



Fresnel and cylinder type lens with optical attenuation (pet mask) in the lower pattern part of the lens. Number of beams / curtains: 27 Fresnel far (54 sensitivity “beams”), 18 Cylinder mid, 10 Cylinder close.

**Important!** Instruct the user to walk test at least once a week to verify proper function of the device.



## Specifications

Frequency band	912 to 919 MHz
Modulation	GFSK
Communication Protocol	PowerG
Battery Type	3 V Lithium CR-123A Panasonic, Duracell, and GP only
Battery Life	6 to 8 years with typical use at room temperature 25°C (77°F)
Low Battery Threshold	2.4 V at room temperature 25°C (77°F)
Operating Temperature	-10°C (14°F) to 50°C (122°F).
Storage Temperature	-20°C (-4°F) to 60°C (140°F)
Relative Humidity	Up to 95% non-condensing
Dimensions (LxWxD)	86 mm x 63 mm x 40 mm (3.4 in. x 2.5 in. x 1.6 in.)
Weight (including battery)	85 g (3 oz)
Max. coverage	12 x 12 m (39 x 39 ft) / 90°
Pet immunity	Up to 38 kg (85 lb)
Color	White

# Compliance with standards

MP-802 PG+ complies with the following standards:

<b>MP-802 P9M0</b>	<b>FCC (915 MHz):</b> 47CFR part 15.247
--------------------	---

## FCC Compliance Statement

This device complies with FCC Rules Part 15 license-exempt standard(s). Operation is subject to two conditions:

(1) This device may not cause harmful interference, and (2) this device must accept any interference that may be received or that may cause undesired operation.

**i Note:** The digital circuit of this device has been tested and found to comply with the limits for a Class B digital device, pursuant to part 15 of the FCC Rules. These limits are designed to provide reasonable protection against harmful interference in a residential installation. This equipment generates, uses and can radiate radio frequency energy and, if not installed and used in accordance with the instructions, may cause harmful interference to radio communications. However, there is no guarantee that interference will not occur in a particular installation. If this equipment does cause harmful interference to radio or television reception, which can be determined by turning the equipment off and on, the user is encouraged to try to correct the interference by one or more of the following measures:

- Reorient or relocate the receiving antenna.
- Increase the separation between the equipment and receiver.
- Connect the equipment into an outlet on a circuit different from that to which the receiver is connected.
- Consult the dealer or an experienced radio/TV technician for help.

**⚠ WARNING:** Changes or modifications to this equipment not expressly approved by the party responsible for compliance (Visonic Ltd.) could void the user's authority to operate the equipment.

To comply with FCC RF exposure compliance requirements, the device should be located at a distance of at least 20 cm from all persons during normal operation. The antennas used for this product must not be co-located or operated in conjunction with any other antenna or transmitter.

## Safety Instructions

Read the safety information before you install the equipment.

The detector shall be installed and used within an environment that provides the pollution degree max 2 and over voltages category II in non-hazardous locations, indoor only. The equipment is designed to be installed by SERVICE PERSONS only; (SERVICE PERSON is defined as a person having the appropriate technical training and experience necessary to be aware of hazards to which that person may be exposed in performing a task and of measures to minimize the risks to that person or other persons).

## W.E.E Product recycling declaration



For information regarding the recycling of this product you must contact the company from which you originally purchased it. If you are discarding this product and not returning it for repair then you must ensure that it is returned as identified by your supplier. This product is not to be thrown away with everyday waste.

Directive 2012/19/EU Waste Electrical and Electronic Equipment.

## About MP-802 PG+

The MP-802 PG+ is a microprocessor-controlled wireless digital PIR detector, with optional pet immunity.

The device has the following features:

- Fresnel and cylindrical lenses with uniform detection sensitivity throughout its operating range, up to 12 meters (39 ft).
- Target Specific Imaging™ (TSI) technology is used for distinction between humans and pets weighing up to 38 kg (85lb).
- The advanced True Motion Recognition™ algorithm (patented) distinguishes between the true motion of an intruder and any other disturbances which may cause false alarms.
- No vertical adjustment is needed.
- Motion event counter determines whether one (high sensitivity) or two (low sensitivity) consecutive motion events trigger an alarm.
- Very low current consumption.
- Microprocessor-controlled temperature compensation.
- Front and back tamper protection.
- Temperature sensing and reporting.
- Remote firmware upgrade.

# Warranty

Visonic Ltd. (“**Seller**”) warrants the Products to the original purchaser only (the “**Buyer**”) against defective workmanship and materials under normal use of the Products for a period of twelve (12) months from the date of shipment by the Seller.

This Warranty is absolutely conditional upon the Products having been properly installed, maintained and operated under conditions of normal use in accordance with the Seller’s recommended installation and operation instructions. Products which have become defective for any other reason, according to the Seller’s discretion, such as improper installation, failure to follow recommended installation and operational instructions, neglect, willful damage, misuse or vandalism, accidental damage, alteration or tampering, or repair by anyone other than the Seller, are not covered by this Warranty.

There is absolutely no warranty on software, and all software products are sold as a user license under the terms of the software license agreement included with such Product.

The Seller does not represent that Products may not be compromised and/or circumvented or that the Products will prevent any death and/or personal injury and/or damage to property resulting from burglary, robbery, fire or otherwise, or that the Products will in all cases provide adequate warning or protection. The Products, properly installed and maintained, only reduce the risk of such events without warning and it is not a guarantee or insurance that such events will not occur.

**Conditions to Void Warranty:** This warranty applies only to defects in parts and workmanship relating to normal use of the Products. It does not cover:

- damage incurred in shipping or handling;
- damage caused by disaster such as fire, flood, wind, earthquake or lightning;
- damage due to causes beyond the control of the Seller such as excessive voltage, mechanical shock or water damage;
- damage caused by unauthorized attachment, alterations, modifications or foreign objects being used with or in conjunction with the Products;
- damage caused by peripherals (unless such peripherals were supplied by the Seller);
- defects caused by failure to provide a suitable installation environment for the products;
- damage caused by use of the Products for purposes other than those for which they were designed;
- damage from improper maintenance;
- damage arising out of any other abuse, mishandling or improper application of the Products.

**Items Not Covered by Warranty:** In addition to the items which void the Warranty, the following items shall not be covered by Warranty: (i) freight cost to the repair centre; (ii) customs fees, taxes, or VAT that may be due; (iii) Products which are not identified with the Seller’s product label and lot number or serial number; (iv) Products disassembled or repaired in such a manner as to adversely affect performance or prevent adequate inspection or testing to verify any warranty claim. Access cards or tags returned for replacement under warranty will be credited or replaced at the Seller’s option.

**This warranty is exclusive and expressly in lieu of all other warranties, obligations or liabilities, whether written, oral, express or implied, including any warranty of merchantability or fitness for a particular purpose, or otherwise. In no case shall the SELLER be liable to anyone for any consequential or incidental damages for breach of this warranty or any other warranties whatsoever, as aforesaid.**

**The Seller shall in no event be liable for any special, indirect, incidental, consequential or punitive damages or for loss, damage, or expense, including loss of use, profits, revenue, or goodwill, directly or indirectly arising from Purchaser’s use or inability to use the Product, or for loss or destruction of other property or from any other cause, even if Seller has been advised of the possibility of such damage.**

**The SELLER shall have no liability for any death, personal and/or bodily injury and/or damage to property or other loss whether direct, indirect, incidental, consequential or otherwise, based on a claim that the Product failed to function.** However, if the Seller is held liable, whether directly or indirectly, for any loss or damage arising under this limited warranty, **the SELLER'S maximum liability (if any) shall not in any case exceed the purchase price of the Product INVOLVED**, which shall be fixed as liquidated damages and not as a penalty, and shall be the complete and exclusive remedy against the Seller.

When accepting the delivery of the Products, the buyer agrees to the said conditions of sale and warranty and he recognizes having been informed of.

Some jurisdictions do not allow the exclusion or limitation of incidental or consequential damages, so these limitations may not apply under certain circumstances.

The Seller shall be under no liability whatsoever arising out of the corruption and/or malfunctioning of any telecommunication or electronic equipment or any programs.

The Seller's obligations under this Warranty are limited solely to repair and/or replace at the Seller's discretion any Product or part thereof that may prove defective. Any repair and/or replacement shall not extend the original Warranty period. The Seller shall not be responsible for dismantling and/or reinstallation costs. To exercise this Warranty the Products must be returned to the Seller freight pre-paid and insured. All freight and insurance costs are the responsibility of the Buyer and are not included in this Warranty.

This warranty shall not be modified, varied or extended, and the Seller does not authorize any person to act on its behalf in the modification, variation or extension of this warranty. This warranty shall apply to the Products only. All products, accessories or attachments of others used in conjunction with the Products, including batteries, shall be covered solely by their own warranty, if any. The Seller shall not be liable for any damage or loss whatsoever, whether directly, indirectly, incidentally, consequentially or otherwise, caused by the malfunction of the Products due to products, accessories, or attachments of others, including batteries, used in conjunction with the Products. This Warranty is exclusive to the original Buyer and is not assignable.

This Warranty is in addition to and does not affect your legal rights. Any provision in this warranty which is contrary to the Law in the state or country where the Product is supplied shall not apply.

**Governing Law:** This disclaimer of warranties and limited warranty are governed by the domestic laws of Israel.

### **Warning**

The user must follow the Seller's installation and operational instructions including testing the Product and its whole system at least once a week and to take all necessary precautions for his/her safety and the protection of his/her property.

Email: [info@visonic.com](mailto:info@visonic.com)

Website: [www.visonic.com](http://www.visonic.com)

D-308439 Rev. 0 (06/22)



D-308439

---

©2022 Johnson Controls. All rights reserved. JOHNSON CONTROLS, TYCO and DSC are trademarks and/or registered trademarks. Unauthorized use is strictly prohibited.