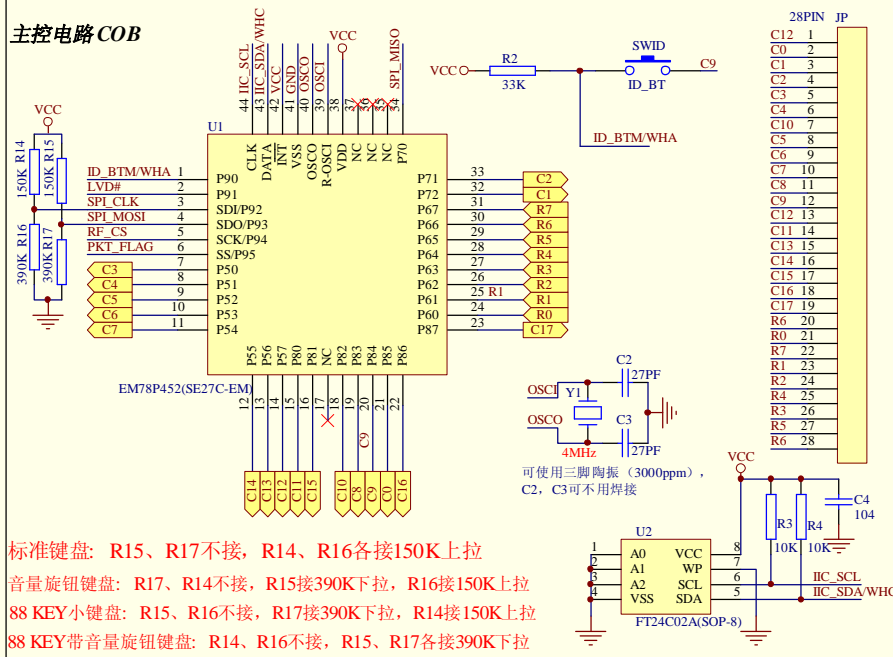
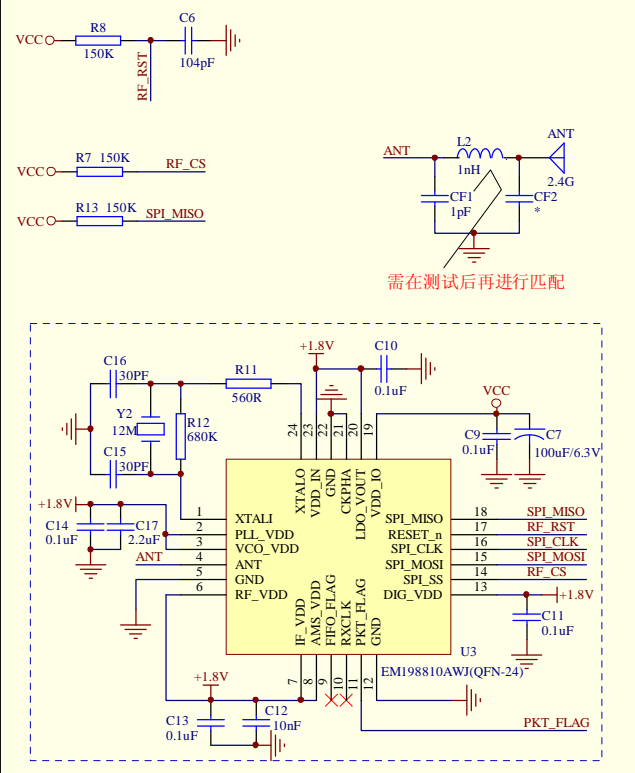


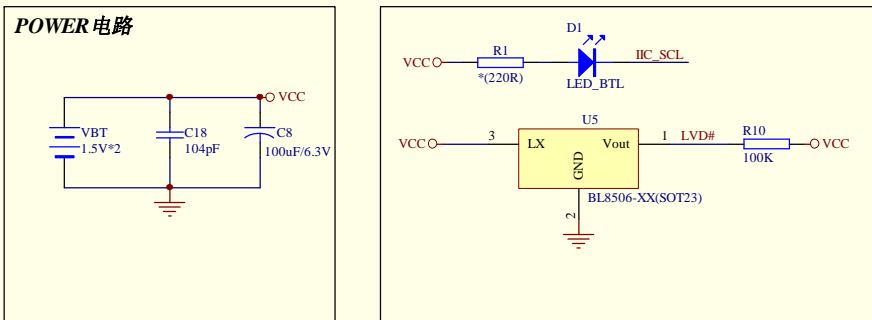
### 主控电路COB



### RF电路



### POWER电路



Title		
K-020 EMC 2.4G SCH		
Size	Number	Revision
A4	S-0903 PCB SCH VER:00	V2.3
Date:	2010/04/07	Sheet of
File:		Drawn By: Andy xiong