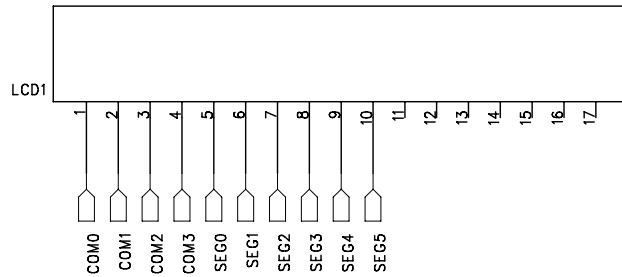
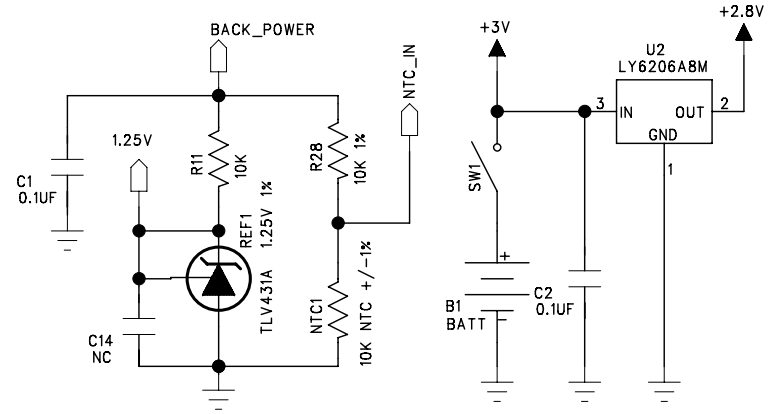
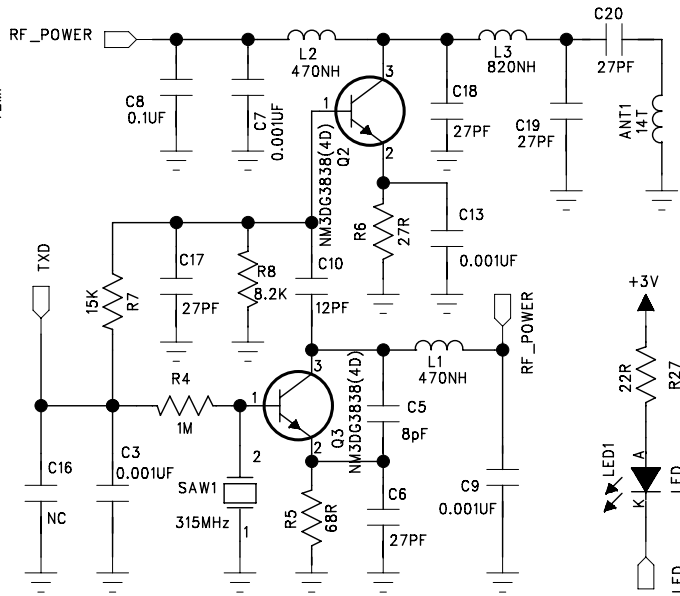
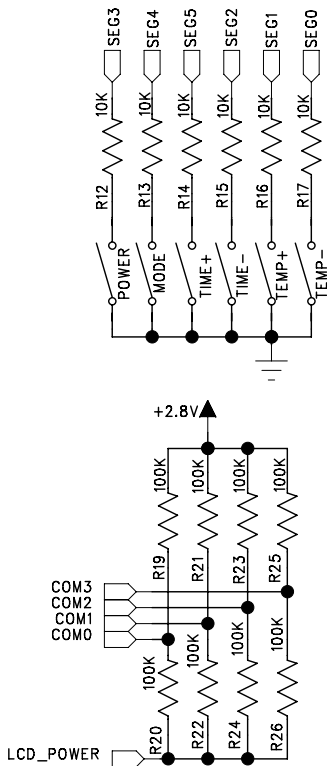


DATE	REV:	CHANGE
2008-05-06	01	ADD 24C02(MEM SET),ADD SWITCH
2008-06-05	02	CHANGE MCU TO 9222,CHANGE LCD
2008-07-10	03	CHANGE RF



FLASH PROGRAM PIN: SEG1=DATA
VSS=GND VCC=VCC
SEG0=CLK RST=RST

N.C.=Not Connect



TenFord Electronic CO.,LTD			
MODE:	E0805TX		
TITLE:	MCU SCH		
DRAWING NO:		SCALE:	1:1
DRAWN:		DATED:	2008-06-05
CHECKED:		DATED:	
RELEASED:		DATED:	
		SIZE:	A4
		REV:	01
		PAGE	1 OF 1