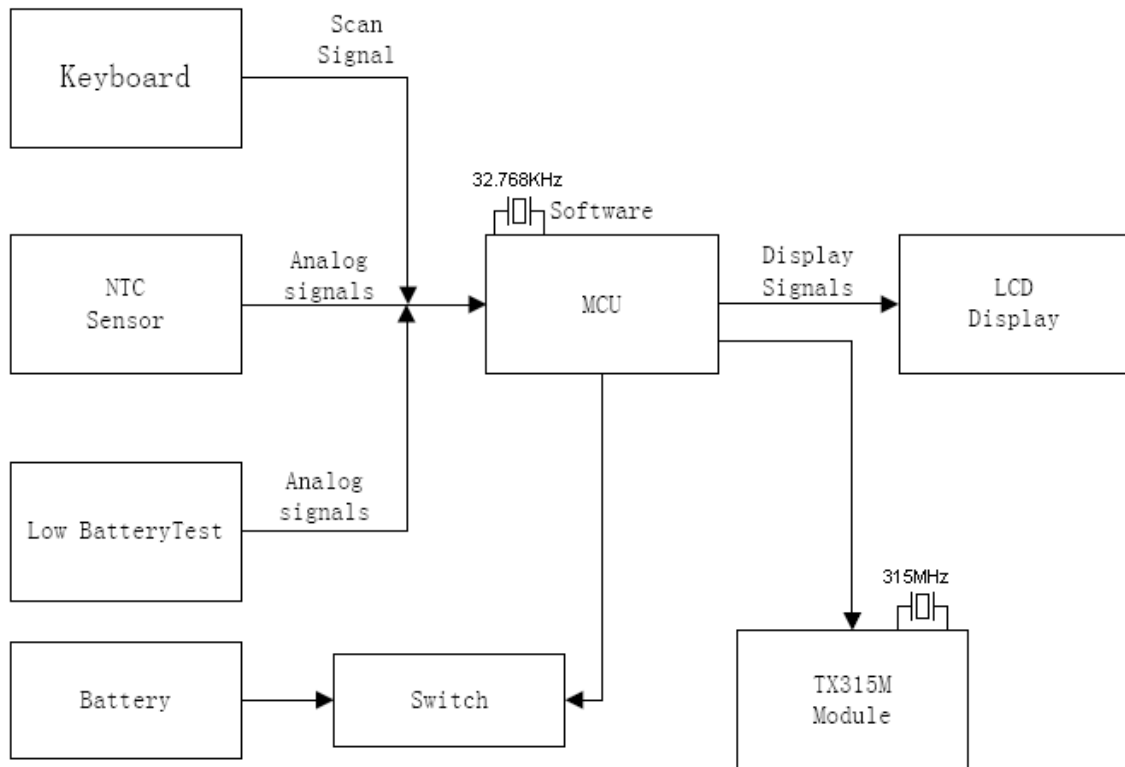
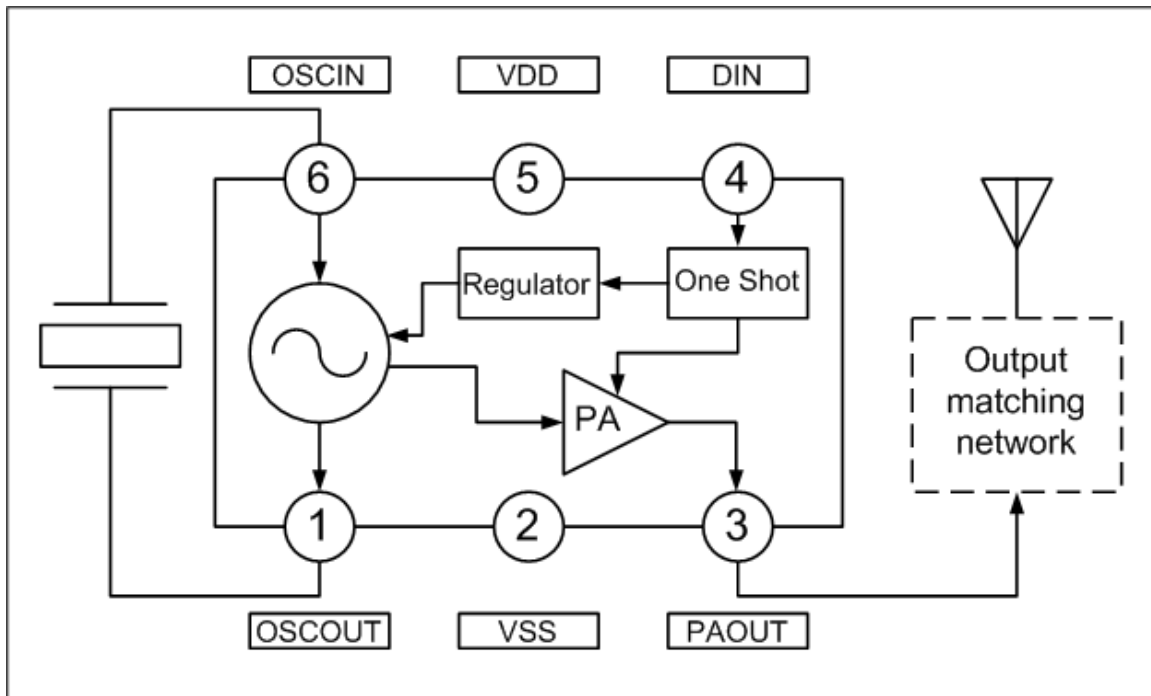


Block Diagram:



TX315M Module:



DESCRIPTION

PT4450 is a high performance OOK/ASK transmitter for the Remote Keyless Entry (RKE) systems. It consists of a SAW oscillator, power amplifier, and one-shot circuit which control the SAW oscillator and power amplifier

APPLICATIONS

- Keyless entry systems
- Remote control systems
- Garage door openers
- Alarm systems
- Security systems
- Wireless sensors

FEATURES

- Highly integrated OOK/ASK transmitter
- High output power, 3 V/+10 dBm/18 mA
- Low supply voltage (2.2 V to 3.6V operation range)
- Low external component cost.
- SAW-based oscillator, frequency range from 250 MHz to 500 MHz
- On-chip one-shot circuit
- 50 dB RF on/off ratio
- Available in 6-pin, SOT-23 package

BLOCK DIAGRAM

