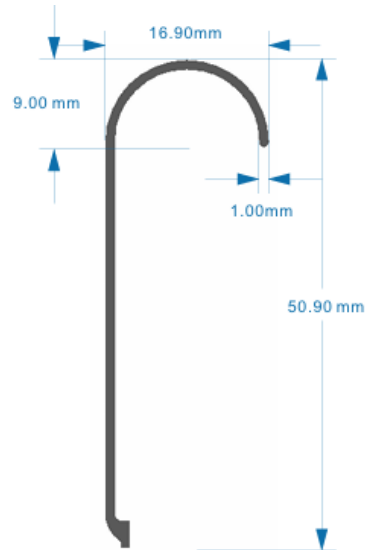
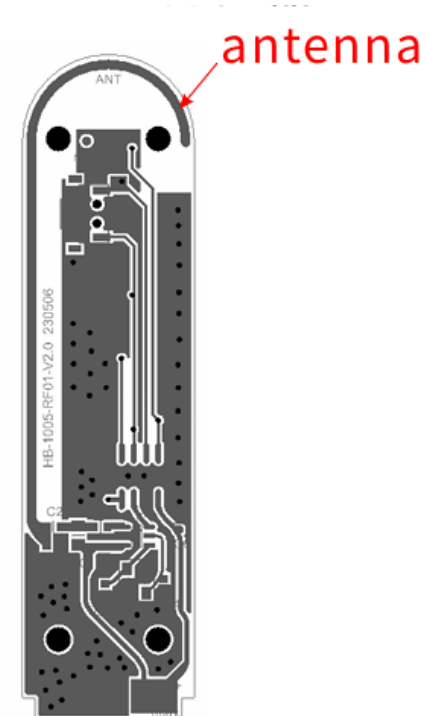


ANTENNA SPECIFICATION

Manufacture	:	Shenzhen Hangbo Yuanda Technology Co., Ltd.
Address	:	232 Xiangshan Avenue, Songgang Street, Bao'an District, Shenzhen, China.
Product type	:	PCB Antenna
Antenna model	:	ARA PCB Antenna
Material	:	FR4
Gain	:	0dBi(typical)
Frequency	:	433.935MHz



Antenna Spec