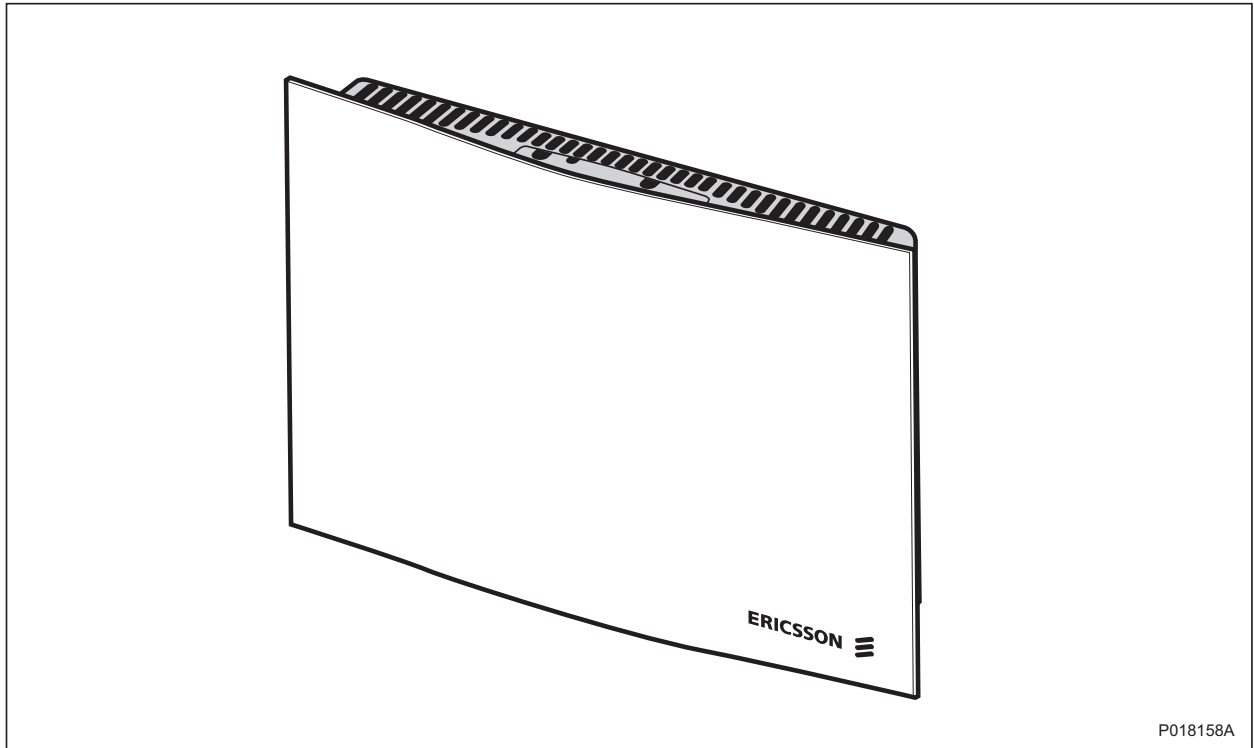


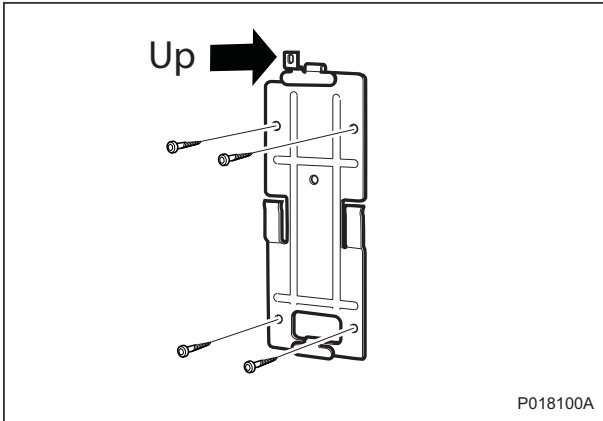
# Installation and Interface, RBS 2409, Quick Guide

RBS 2409

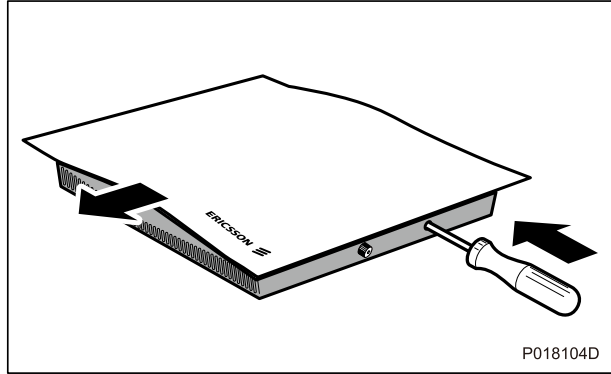
Quick Guide



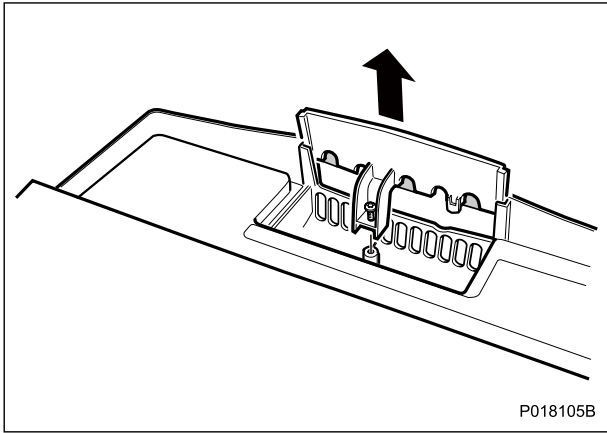
### 1 Installing the RBS Wall Bracket



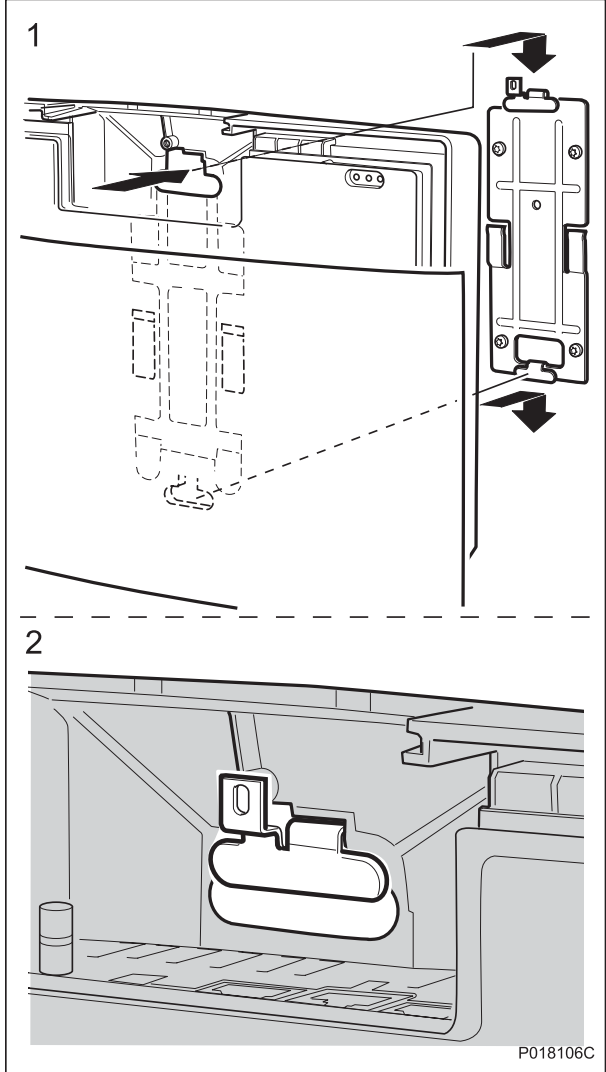
### 2 Opening the RBS Front Cover



**3 Detaching the RBS Top Cover**

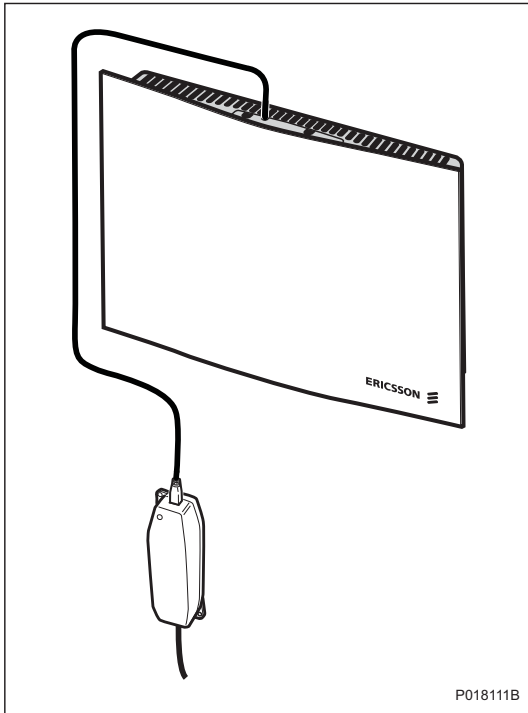


**4 Attaching the RBS to the Wall Bracket**

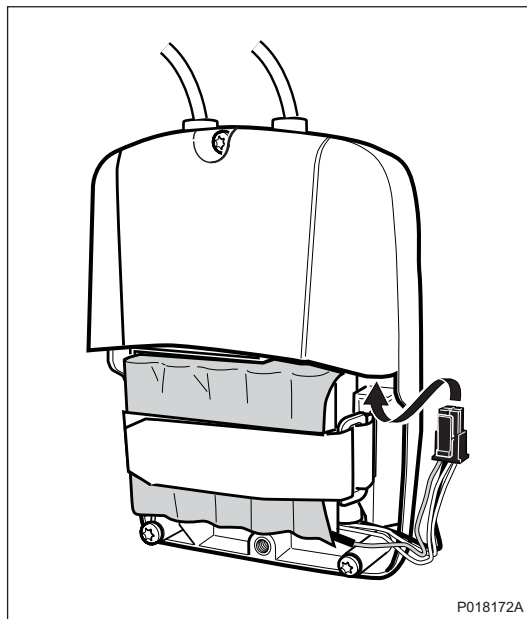
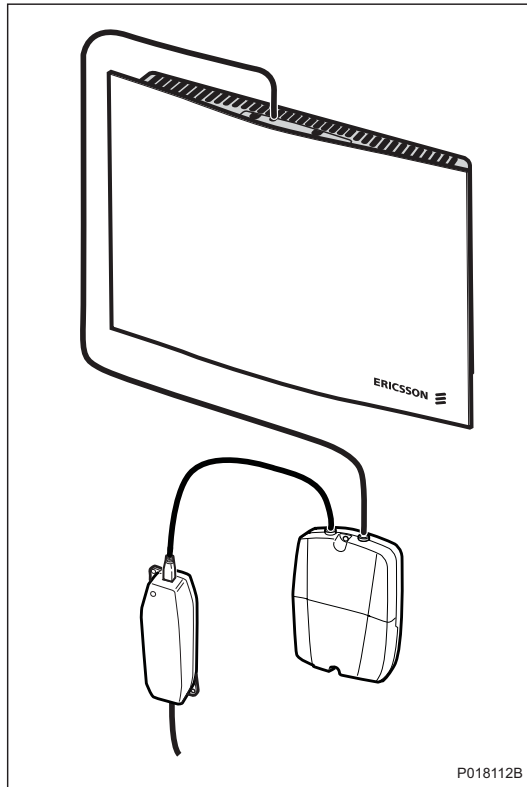


### Installing External Power Units

5 PSU only

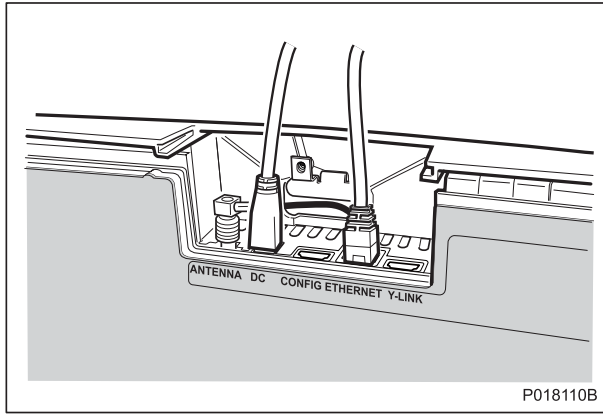


5 PSU and EBB

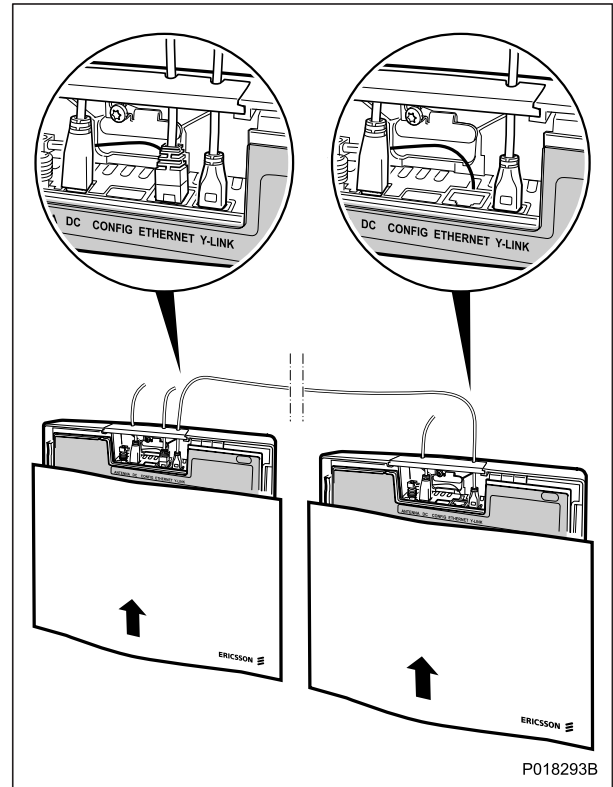


### Connecting Cables

6a

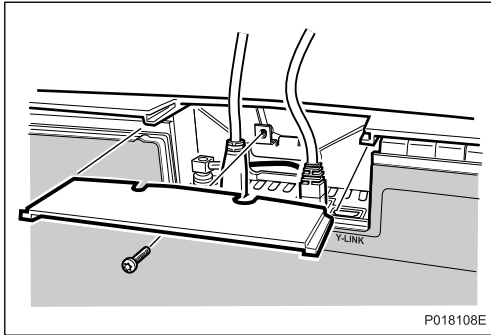


6b (Extension RBS)

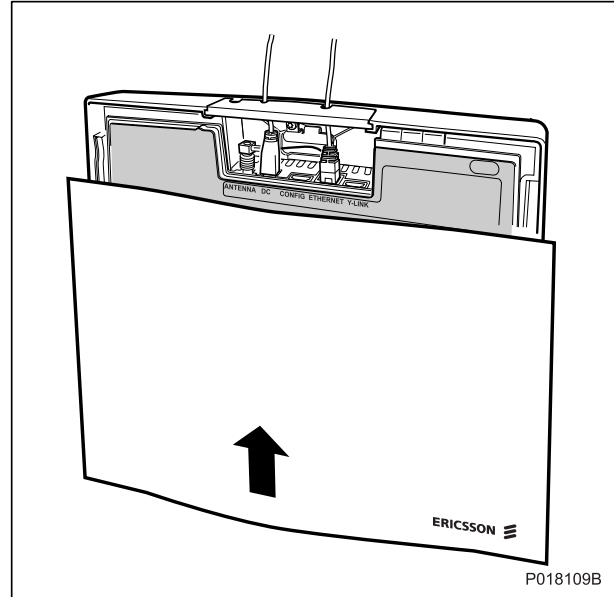


### Closing the Covers

7

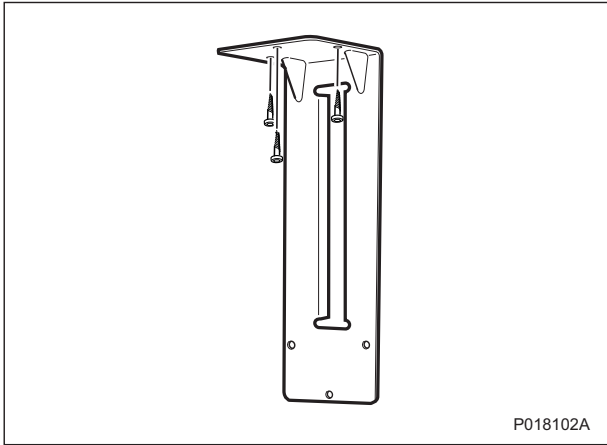


8

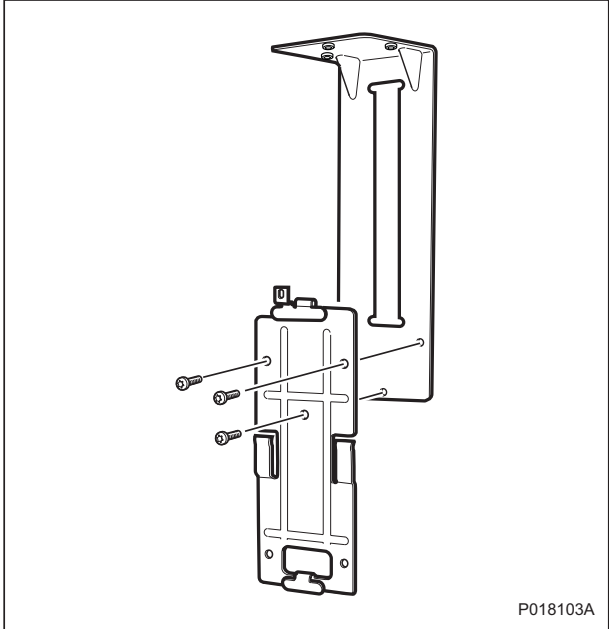


**Installing the RBS Hanging from the Ceiling using the Optional Bracket**

**1a**

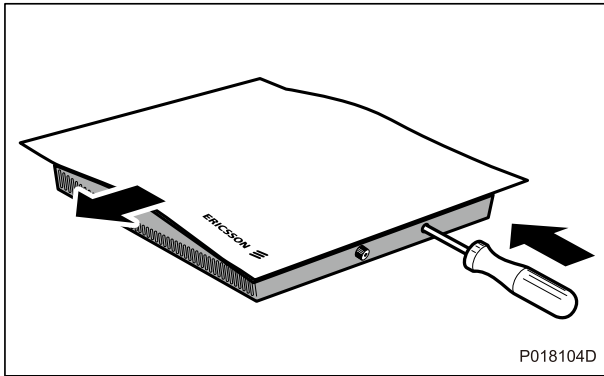


**1b**

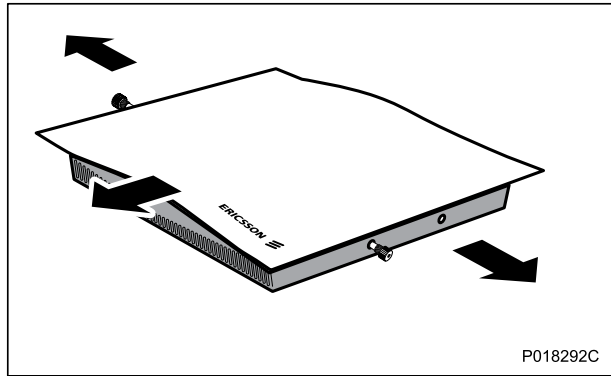


### Changing Front Cover

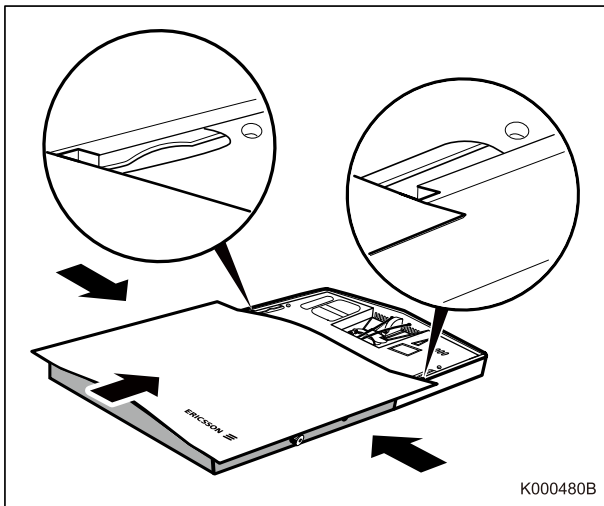
2a



2b



2c







© Ericsson AB 2007. All rights reserved.

No part of this document may be reproduced in any form without permission of the copyright owner.

The contents of this document are subject to revision without notice due to continued progress in methodology, design and manufacturing. Ericsson shall have no liability for any error or damage of any kind resulting from the use of this document.