



**EUROFINS ELECTRICAL TESTING SERVICE (SHENZHEN) CO., LTD.**

# **RADIO TEST - REPORT**

**FCC Compliance Test Report**

**Product name: Universal Transmitter**

**Model name: UT-11**

**FCC ID: WNG-UT-11**

**Test Report Number: EFGX23040168-IE-03-E01**

## Content

<b>1</b>	<b>General Information</b>	<b>3</b>
1.1	Notes	3
1.2	Testing laboratory	4
1.3	Details of approval holder	4
1.4	Details of Manufacturer	4
1.5	Application details	4
1.6	Test item	4
1.7	Test standards	5
<b>2</b>	<b>Technical test</b>	<b>6</b>
2.1	Summary of test results	6
2.2	Test environment	6
2.3	Measurement uncertainty	6
2.4	Test mode	6
2.5	Test equipment utilized	7
2.6	Auxiliary Equipment Used during Test:	7
2.7	Test software information	7
2.8	Customized Configurations	7
2.9	Test Environments	7
2.10	Test results	8
<b>3</b>	<b>Technical Requirement</b>	<b>9</b>
3.1	Conducted Emission	9
3.2	Automatically Deactivate	10
3.3	20dB bandwidth	12
3.4	Field strength of fundamental , Field strength of spurious emission for transmitter and Restricted bands	14

# 1 General Information

## 1.1 Notes

The results of this test report relate exclusively to the item tested as specified in chapter “Description of test item” and are not transferable to any other test items.

Eurofins Product Testing Service (Shenzhen) Co., Ltd. is not responsible for any generalisations and conclusions drawn from this report. Any modification of the test item can lead to invalidity of test results and this test report may therefore be not applicable to the modified test item.

The test report may only be reproduced or published in full. Reproducing or publishing extracts of the report requires the prior written approval of the Eurofins Product Testing Service (Shenzhen) Co., Ltd.

This document is subject to the General Terms and Conditions and the Testing and Certification System of Eurofins Product Testing Service (Shenzhen) Co., Ltd., available on request or accessible at [www.eurofins.com](http://www.eurofins.com).

### Operator:

2023-05-18

Bruce Zheng / Project Engineer



Date

Eurofins-Lab.

Name / Title

Signature

### Technical responsibility for area of testing:

2023-05-18

Abert Xu / Lab Manager



Date

Eurofins-Lab.

Name / Title

Signature

## 1.2 Testing laboratory

### **Eurofins Electrical Testing Service (Shenzhen) Co., Ltd.**

1st Floor, Building 2, Chungu, Meisheng Huigu Science and Technology Park, No. 83 Dabao Road, Bao'an District, Shenzhen. P.R.China.

Telephone : +86-755-82911867

Fax : +86-755-82910749

The Laboratory has passed the Accreditation by the American Association for Laboratory Accrediation (A2LA). The Accreditation number is 5376.01

The Laboratory has been listed by industry Canada to perform electromagnetic emission measurements, The CAB identifier is CN0088

## 1.3 Details of approval holder

Name : Rondish Co. Ltd  
Address : UNIT G&H, 4/F, Block 1, KWAI TAK IND. CTR, 15-33 K  
HONGKONG, China  
Telephone : ./.  
Fax : ./.

## 1.4 Details of Manufacturer

Name : Rondish Co. Ltd  
Address : UNIT G&H, 4/F, Block 1, KWAI TAK IND. CTR, 15-33 K  
HONGKONG, China  
Telephone : ./.  
Fax : ./.

## 1.5 Application details

Date of receipt of application : 2023-04-11  
Date of receipt of test item : 2023-04-11  
Date of test : 2023-04-11 to 2023-04-26  
Date of issue : 2023-05-18

## 1.6 Test item

Product type : Universal Transmitter  
Model name : UT-11  
Brand : Rondish  
Serial number : N/A  
Ratings : 3Vdc supplied by "CR2477" lithium battery.  
Test voltage : 3Vdc  
FCC ID : WNG-UT-11  
PMN : Universal Transmitter  
Additional information : N/A

### **RadioTechnical data**

Frequency range : 433.92MHz  
Radio Tech. : N/A  
Frequency channel : 1 Channel  
Modulation : FSK  
Antenna type : PCB antenna

## 1.7 Test standards

<b>Test Standards</b>	
FCC Part 15 Subpart C 2018 Edition	PART 15 - RADIO FREQUENCY DEVICES Subpart C - Intentional Radiators

### Test Method

- 1: ANSI C63.4-2014, American National Standard for Methods of Measurement of Radio-Noise Emissions from Low-Voltage Electrical and Electronic Equipment in the Range of 9 kHz to 40 GHz.
- 2: ANSI C63.10-2013, American National Standard for Testing Unlicensed Wireless Devices.

## 2 Technical test

### 2.1 Summary of test results

No deviations from the technical specification(s) were ascertained in the course of the tests performed.

or

The deviations as specified were ascertained in the course of the tests performed.

### 2.2 Test environment

Temperature : 20 ... 25°C  
 Relative humidity content : 30 ... 60%  
 Air pressure : 100 ... 101kPa

### 2.3 Measurement uncertainty

The uncertainty is calculated using the methods suggested in the "Guide to the Expression of Uncertainty in Measurement" (GUM) published by ISO.

System Measurement Uncertainty	
Test Items	Extended Uncertainty
Uncertainty for Conducted RF test	RF Power Conducted: 1.16dB Frequency test involved: 1.05×10 <sup>-7</sup> or 1%
Uncertainty for Radiated Spurious Emission 25MHz-3000MHz	Horizontal: 4.46dB; Vertical: 4.54dB;
Uncertainty for Radiated Spurious Emission 3000MHz-18000MHz	Horizontal: 4.42dB; Vertical: 4.41dB;
Uncertainty for Radiated Spurious Emission 18000MHz-40000MHz	Horizontal: 4.63dB; Vertical: 4.62dB;

### 2.4 Test mode

The EUT was set at continuously transmitting during the test.

## 2.5 Test equipment utilized

EQUIPMENT ID	EQUIPMENT NAME	MODEL NO.	CAL. DUE DATE
23-2-13-01	EMI Test Receiver	ESR7	2024-03-21
23-2-13-02	Signal Analyzer	N9030A	2024-03-21
23-2-12-01	Active Loop Antenna	FMZB 1519B	2024-05-05
23-2-12-02	TRILOG Broadband Antenna	VULB9168	2024-05-05
23-2-12-03	Horn Antenna	3117	2024-05-05
23-2-12-04	Horn Antenna	BBHA 9170	2024-05-05
23-2-10-01	Preamplifier	BBV9745	2024-03-21
23-2-10-02	Preamplifier	EMC001330	2024-03-21
23-2-10-03	Preamplifier	EMC051845SE	2024-03-21
23-2-10-14	Switch and Control Unit	ERIT-E-JS0806-SF1	N/A

## 2.6 Auxiliary Equipment Used during Test:

DESCRIPTION	MANUFACTURER	MODEL NO.	S/N
N/A	N/A	N/A	N/A

## 2.7 Test software information

Test Software Version	N/A		
Modulation	Setting TX Power	TX Pattern	Packet Type
ASK	Default	Default	Default

## 2.8 Customized Configurations

EUT Conf.	Signal Description	Operating Frequency	Duty Cycle
TM1	FSK	433.92MHz	59.98%

## 2.9 Test Environments

Environment Parameter	Temperature	Voltage	Relative Humidity
101.7Kpa	26.5°C	12Vdc	68.3%

## 2.10 Test results

 1<sup>st</sup> test

 test after modification

 production test

Technical Requirements				
FCC Part 15 Subpart C				
Test Condition		Test Result	Verdict	Test Site
§15.207	Conducted emission AC power port	--	N/A	--
§15.231(a)(1)	Automatically Deactivate	Page 11	Pass	Site 1
§15.231(b)(3)	Field strength of fundamental	Page 18	Pass	Site 1
§15.231(b)(3) §15.209 & §15.205	Field strength of spurious emission	Page 19	Pass	Site 1
§15.231(c)	-20dB Bandwidth	Page 13	Pass	Site 1
§15.203	Antenna requirement	See note 1	Pass	--

Remark 1: N/A – Not Applicable.

Note 1: The EUT uses a PCB antenna, According to §15.203, it is considered sufficiently to comply with the provisions of this section.



### 3 Technical Requirement

#### 3.1 Conducted Emission

**Test Method:**

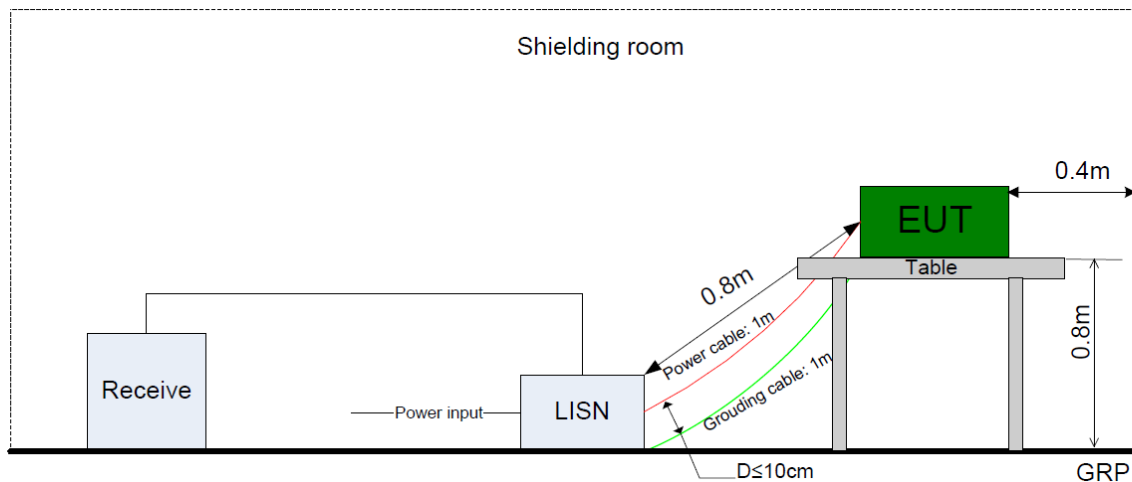
The test method was referred to the subclause 5.2 of ANSI C63.4-2014.

1. The EUT was placed on a table, which is 0.8m above ground plane
2. The power line of the EUT is connected to the AC mains through a Artificial Mains Network (A.M.N.).
3. Maximum procedure was performed to ensure EUT compliance
4. A EMI test receiver is used to test the emissions from both sides of AC line

**Test Setup:**

The mains cable of the EUT (per AC/DC Adapter) must be connected to LISN. The LISN shall be placed 0.8 m from the boundary of EUT and bonded to a ground reference plane for LISN mounted on top of the ground reference plane. This distance is between the closest points of the LISN and the EUT. All other units of the EUT and associated equipment shall be at least 0.8m from the LISN.

Ground connections, where required for safety purposes, shall be connected to the reference ground point of the LISN and, where not otherwise provided or specified by the manufacturer, shall be of same length as the mains cable and run parallel to the mains connection at a separation distance of not more than 0.1 m.



**Limit:**

Frequency MHz	QP Limit dB $\mu$ V	AV Limit dB $\mu$ V
0.150-0.500	66-56*	56-46*
0.500-5	56	46
5-30	60	50

Decreasing linear.

**Test Result:**

Not Applicable

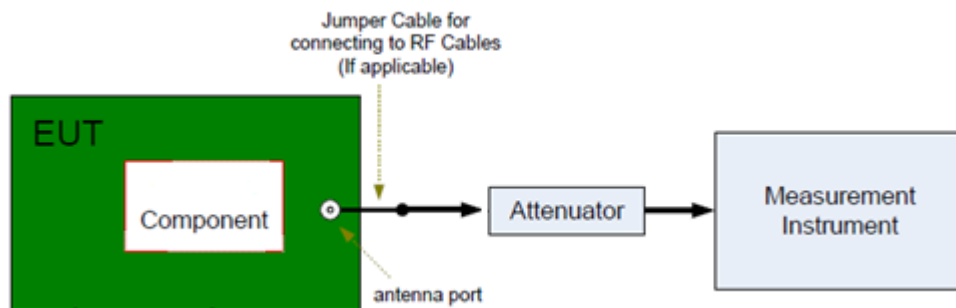
### 3.2 Automatically Deactivate

#### Test Method

1. Connect EUT test port to spectrum analyzer.
2. Set the EUT to transmit maximum output power at 2405MHz.
3. RBW=1MHz, VBW $\geq$ 3RBW, Span=0MHz, Sweep = 10s, Detector function = Average, Sweep time = single
4. Remark transmission time and record test plot.

#### Test Setup:

The component's antenna ports(s) of the EUT are connected to the measurement instrument per an appropriate attenuator. The press a button of the EUT is to emit the specified signals for the purpose of measurements.



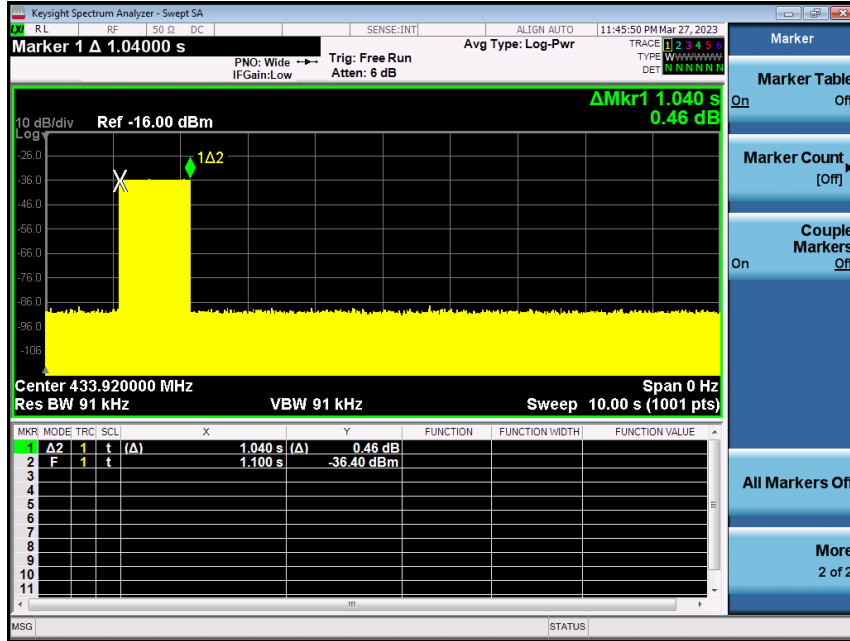
#### Limits:

According to §15.231 (a) (1), automatically deactivate limit as below:

- (2) A transmitter activated automatically shall cease transmission within 5 seconds after activation.

**Test Data:**

Time of Transmitting (s)	Limit (sec)	Result
1.04	5	Pass



**Test Result: Pass**

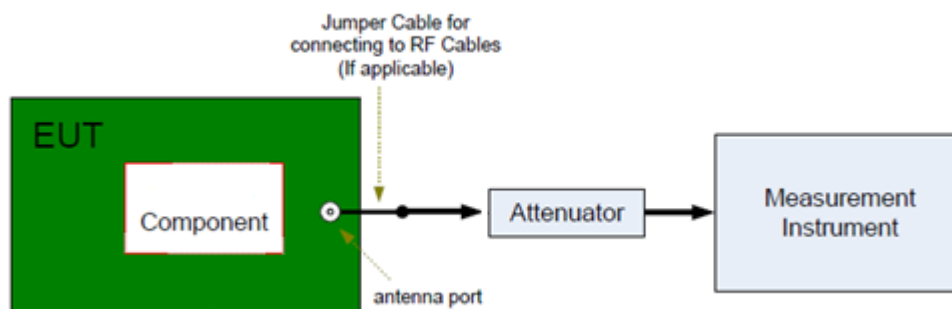
### 3.3 20dB bandwidth

#### Test Method:

1. Connect EUT test port to spectrum analyzer.
2. Set the EUT to transmit maximum output power at 2405MHz.
3. Then set the EUT to transmit at high, middle and low frequency separately.
4. Set Span = approximately 1.5 to 5 times the 99% bandwidth.
5. Set RBW  $\geq$  1% to 5% of the 99% bandwidth, VBW  $\geq$  RBW.
6. Set Sweep = auto.
7. Set Detector function = Average.
8. Allow the trace to stabilize.
9. Repeat above procedures until all frequencies measured were complete.

#### Test Setup:

The component's antenna ports(s) of the EUT are connected to the measurement instrument per an appropriate attenuator. The press a button of the EUT is to emit the specified signals for the purpose of measurements.



#### Limit:

According to §15.231 (c), automatically deactivate limit as below:

The bandwidth of the emission shall be no wider than 0.25% of the center frequency for devices operating above 70 MHz and below 900 MHz.

## Test Result

20dB Bandwidth (KHz)	Limit (KHz)	Result
950	1084.8	Pass



### 3.4 Field strength of fundamental , Field strength of spurious emission for transmitter and Restricted bands

#### Test Method:

- 1: The EUT was placed on a turn table which is 1.5m above ground plane for above 1GHz and 0.8m above ground for below 1GHz at 3 meter chamber room for test. The table was rotated 360 degrees to determine the position of the highest radiation.
- 2: The EUT was set 3 meters away from the interference – receiving antenna, which was mounted on the top of a variable – height antenna tower.
- 3: The height of antenna is varied from one meter to four meters above the ground to determine the maximum value of the field strength. Both horizontal and vertical polarizations of the antenna are set to make the measurement.
- 4: For each suspected emission, the EUT was arranged to its worst case and then the antenna was tuned to heights from 1 meter to 4 meters and the rotatable table was turned from 0 degrees to 360 degrees to find the maximum reading.
- 5: Use the following spectrum analyzer settings According to C63.10:  
For Above 1GHz  
Span = wide enough to capture the peak level of the in-band emission and all spurious  
RBW = 1MHz, VBW $\geq$ RBW for peak measurement and VBW = 10Hz for average measurement, Sweep = auto, Detector function = peak, Trace = max hold.  
For Below 1GHz  
Use the following spectrum analyzer settings:  
Span = wide enough to capture the peak level of the in-band emission and all spurious  
RBW = 100 KHz, VBW $\geq$ RBW for peak measurement, Sweep = auto, Detector function = peak, Trace = max hold.  
For Below 30MHz  
Use the following spectrum analyzer settings:  
Span = wide enough to capture the peak level of the in-band emission and all spurious  
RBW = 200 Hz, VBW $\geq$ RBW from 9KHz to 0.15MHz, RBW 9KHz VBW $\geq$ RBW from 0.15MHz to 30MHz for peak measurement, Sweep = auto, Detector function = peak, Trace = max hold.

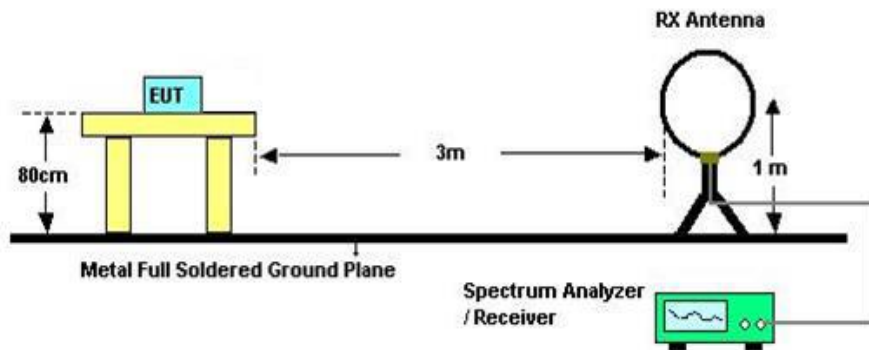
#### Note:

- 1: The resolution bandwidth and video bandwidth of test receiver/spectrum analyzer is 120 KHz for Quasi-peak detection (QP) at frequency below 1GHz.
- 2: The resolution bandwidth of test receiver/spectrum analyzer is 1MHz and the video bandwidth is 3MHz for peak detection (PK) at frequency above 1GHz.
- 3: The resolution bandwidth of test receiver/spectrum analyzer is 1MHz and the video bandwidth is 3MHz for RMS Average ((duty cycle < 98%) for Average detection (AV) at frequency above 1GHz, then the measurement results was added to a correction factor (20log(1/duty cycle)).
- 4: The resolution bandwidth of test receiver/spectrum analyzer is 1MHz and the video bandwidth is 10Hz (duty cycle > 98%) for Average detection (AV) at frequency above 1GHz.

#### Test Setup:

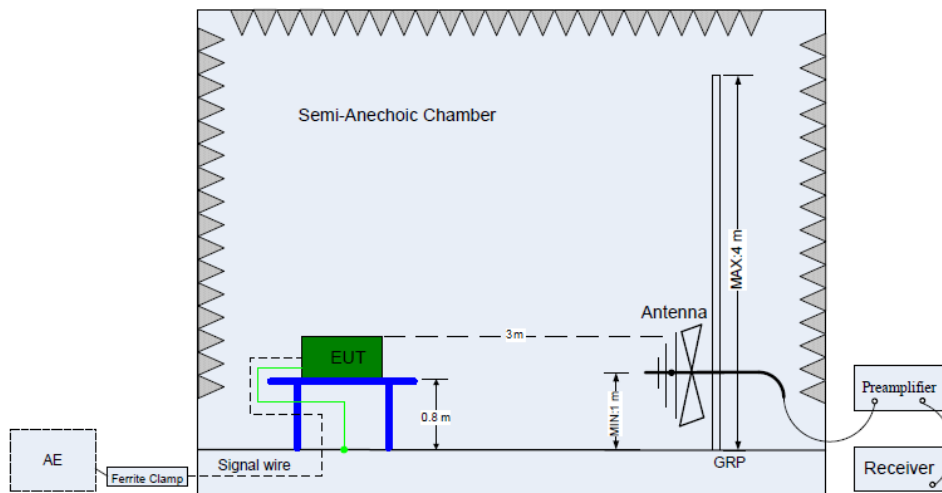
##### Test Setup 1: Radiated Emission test below 30MHz

The test site semi-anechoic chamber has met the requirement of NSA tolerance 4 dB according to the standards: ANSI C63.4. The test distance is 3m. The setup is according to ANSI C63.4.



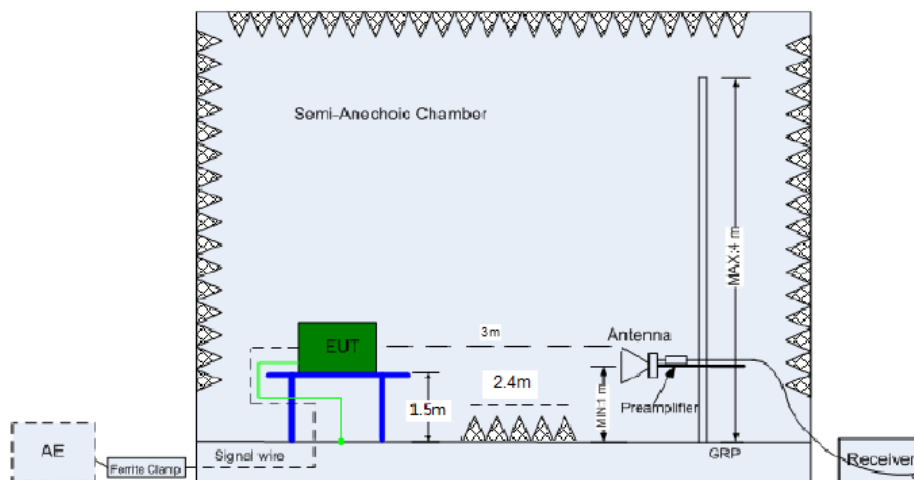
### Test Setup 2: Radiated Emission test below 1GHz

The test site semi-anechoic chamber has met the requirement of NSA tolerance 4 dB according to the standards: ANSI C63.4. The test distance is 3m. The setup is according to ANSI C63.4.



### Test Setup 3: Radiated Emission test above 1GHz

The test site semi-anechoic chamber has met the requirement of NSA tolerance 4 dB according to the standards: ANSI C63.4. The test distance is 3m. The setup is according to ANSI C63.4.



**Limit:**

Radiated emissions which fall in the restricted bands, as defined in section 15.205, must comply with the radiated emission limits specified in section 15.209.

**§ 15.209**

Frequency MHz	Field Strength uV/m	Field Strength dBµV/m	Detector
30-88	100	40	QP
88-216	150	43.5	QP
216-960	200	46	QP
960-1000	500	54	QP
Above 1000	500	54	AV
Above 1000	5000	74	PK

**§15.205 Restricted bands of operation**

MHz	MHz	MHz	GHz
0.090-0.110	16.42-16.423	399.9-410	4.5-5.15
<sup>1</sup> 0.495-0.505	16.69475-16.69525	608-614	5.35-5.46
2.1735-2.1905	16.80425-16.80475	960-1240	7.25-7.75
4.125-4.128	25.5-25.67	1300-1427	8.025-8.5
4.17725-4.17775	37.5-38.25	1435-1626.5	9.0-9.2
4.20725-4.20775	73-74.6	1645.5-1646.5	9.3-9.5
6.215-6.218	74.8-75.2	1660-1710	10.6-12.7
6.26775-6.26825	108-121.94	1718.8-1722.2	13.25-13.4
6.31175-6.31225	123-138	2200-2300	14.47-14.5
8.291-8.294	149.9-150.05	2310-2390	15.35-16.2
8.362-8.366	156.52475-156.52525	2483.5-2500	17.7-21.4
8.37625-8.38675	156.7-156.9	2690-2900	22.01-23.12
8.41425-8.41475	162.0125-167.17	3260-3267	23.6-24.0
12.29-12.293	167.72-173.2	3332-3339	31.2-31.8
12.51975-12.52025	240-285	3345.8-3358	36.43-36.5
12.57675-12.57725	322-335.4	3600-4400	( <sup>2</sup> )
13.36-13.41			

§15.231 (b) In addition to the provisions of §15.205, the field strength of emissions from intentional radiators operated under this section shall not exceed the following:

Fundamental frequency (MHz)	Field strength of fundamental (microvolts/meter)	Field strength of spurious emissions (microvolts/meter)
40.66-40.70	2,250	225
70-130	1,250	125
130-174	<sup>1</sup> 1,250 to 3,750	<sup>1</sup> 125 to 375
174-260	3,750	375
260-470	<sup>1</sup> 3,750 to 12,500	<sup>1</sup> 375 to 1,250
Above 470	12,500	1,250



\* Linear interpolation with frequency, f, in MHz:

For 130-174 MHz: Field Strength ( $\mu\text{V}/\text{m}$ ) =  $(56.82 \times f) - 6136$

For 260-470 MHz: Field Strength ( $\mu\text{V}/\text{m}$ ) =  $(41.67 \times f) - 7083$

**Note 1:** Frequency bands 225-328.6 MHz and 335.4-399.9 MHz are designated for the exclusive use of the Government of Canada. Manufacturers should be aware of possible harmful interference and degradation of their licence-exempt radio equipment in these frequency bands.

#### Field Strength of the Fundamental Emissions

The limit on peak radio frequency emissions is 20 dB above the maximum permitted average emission limit.

Fundamental Average ( $\text{dB}\mu\text{V}/\text{m}$ ) =  $80.82\text{dB}\mu\text{V}/\text{m}$  (Average)

Fundamental Peak ( $\text{dB}\mu\text{V}/\text{m}$ ) =  $80.82\text{dB}\mu\text{V}/\text{m} + 20 = 100.82\text{dB}\mu\text{V}/\text{m}$

#### Field Strength of the Spurious Emissions

The limit on peak radio frequency emissions is 20 dB above the maximum permitted average emission limit.

Fundamental Average ( $\text{dB}\mu\text{V}/\text{m}$ ) =  $60.82\text{dB}\mu\text{V}/\text{m}$  (Average)

Fundamental Peak ( $\text{dB}\mu\text{V}/\text{m}$ ) =  $60.82\text{dB}\mu\text{V}/\text{m} + 20 = 80.82\text{dB}\mu\text{V}/\text{m}$

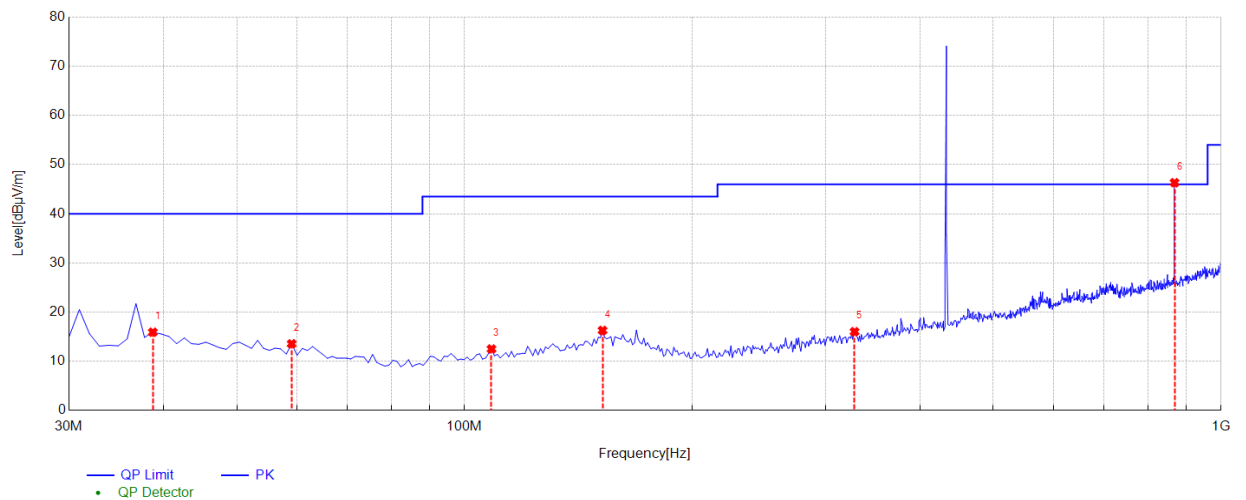
#### Remark:

- (1) “\*\*” means the emission(s) appear within the restrict bands shall follow the requirement of section 15.205.
- (2) Data of measurement within this frequency range shown “--” in the table above means the reading of emissions are the noise floor or attenuated more than 20dB below the permissible limits or the field strength is too small to be measured.
- (3) Above 1GHz: Corrector factor = Antenna Factor + Cable Loss - Amplifier Gain.
- (4) Below 1GHz: Corrector factor = Antenna Factor + Cable Loss - Amplifier Gain.
- (5) Note: The low frequency, which started from 9 kHz to 30MHz with X/Y/Z axis, was pre-scanned and the result which was 20dB lower than the limit line per 15.31(o) was not reported.

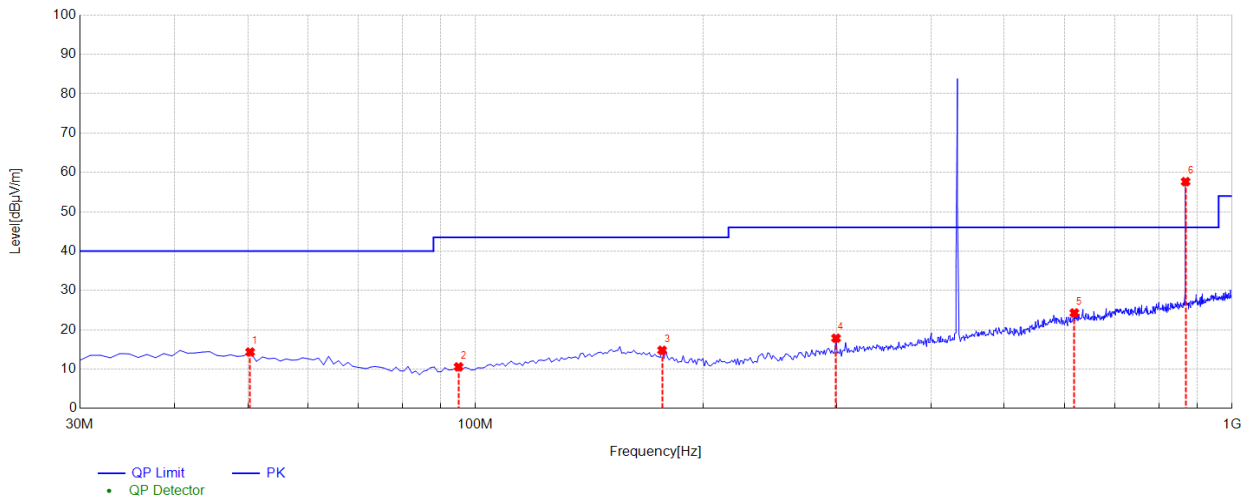
Field Strength of the Fundamental Emissions  
PK

NO.	Freq. [MHz]	Level [dB $\mu$ V/m]	Factor [dB/m]	Limit [dB $\mu$ V/m]	Margin [dB]	Height [cm]	Angle [°]	Polarity	Verdict
1	433.92	75.24	-13.05	46.00	-29.24	100	205	Horizontal	PASS
2	433.92	65.92	-13.05	46.00	-19.92	200	293	Vertical	PASS

Field strength of spurious emission for transmitter 30MHz – 1GHz



NO.	Freq. [MHz]	Level [dB $\mu$ V/m]	Factor [dB/m]	Limit [dB $\mu$ V/m]	Margin [dB]	Height [cm]	Angle [°]	Polarity
1	38.73	15.92	-15.65	40.00	24.08	200	65	Vertical
2	59.1	13.56	-17.09	40.00	26.44	200	74	Vertical
3	108.57	12.51	-19.13	43.50	30.99	200	10	Vertical
4	152.22	16.29	-15.61	43.50	27.21	200	357	Vertical
5	327.79	16.03	-15.08	46.00	29.97	200	102	Vertical
6	868.08	46.33	-4.37	80.82	34.49	200	88	Vertical



NO.	Freq. [MHz]	Level [dBµV/m]	Factor [dB/m]	Limit [dBµV/m]	Margin [dB]	Height [cm]	Angle [°]	Polarity
1	50.37	14.36	-16.34	40.00	25.64	200	312	Horizontal
2	94.99	10.58	-20.04	43.50	32.92	200	172	Horizontal
3	176.47	14.80	-17.34	43.50	28.70	100	61	Horizontal
4	299.66	17.87	-15.82	46.00	28.13	200	153	Horizontal
5	618.79	24.29	-8.19	46.00	21.71	200	360	Horizontal
6	868.08	57.66	-4.37	80.82	23.16	100	111	Horizontal

Field strength of spurious emission for transmitter above 1GHz

According to C63.10, if the peak (or quasi-peak) measured value complies with the average limit, it is unnecessary to perform an average measurement, so AV emission value did not show in below table if the peak value complies with average limit.

NO.	Freq. [MHz]	Reading [dB $\mu$ V/m]	Level [dB $\mu$ V/m]	Factor [dB/m]	Limit [dB $\mu$ V/m]	Margin [dB]	Height [cm]	Angle [°]	Polarity	Verdict
1	1302.4605	69.32	52.28	-17.04	74.00	21.72	150	88	Horizontal	PASS
2	1736.3473	76.87	57.90	-18.97	74.00	16.10	150	77	Horizontal	PASS
3	2170.234	67.40	50.74	-16.66	74.00	23.26	150	60	Horizontal	PASS
4	2694.1388	59.65	45.71	-13.94	74.00	28.29	150	210	Horizontal	PASS
5	3990.3981	58.70	43.59	-15.11	74.00	30.41	150	194	Horizontal	PASS
6	5032.8066	58.05	44.11	-13.94	74.00	29.89	150	28	Horizontal	PASS

NO.	Freq. [MHz]	Reading [dB $\mu$ V/m]	Level [dB $\mu$ V/m]	Factor [dB/m]	Limit [dB $\mu$ V/m]	Margin [dB]	Height [cm]	Angle [°]	Polarity	Verdict
1	1300.6601	62.98	45.99	-16.99	74.00	28.01	150	122	Vertical	PASS
2	1736.3473	68.13	49.16	-18.97	74.00	24.84	150	30	Vertical	PASS
3	2229.6459	62.45	46.42	-16.03	74.00	27.58	150	259	Vertical	PASS
4	2470.8942	61.75	47.67	-14.08	74.00	26.33	150	175	Vertical	PASS
5	3765.3531	59.07	42.52	-16.55	74.00	31.48	150	105	Vertical	PASS
6	4278.4557	59.78	44.32	-15.46	74.00	29.68	150	190	Vertical	PASS

END