

**Product** Wireless Motion Sensor

**Product Code:** PIR-21

**Description:** Wireless motion sensor for fall management. Can be stand alone alarm or transmit signal to receiving alarm

**Features:**

- Stand-alone operation with buzzer, or transmitter to signal alarm on wireless monitor
- Alarm/OFF/Sense switch to control function
- Reset/pause button deactivates sensor to allow aid to a resident
- Status LED indicates when alarm is triggered or pause is active
- Adjustable detection sensitivity
- Low battery indication

**Works with:**

- NGM-21 CordFree Monitor
- CMEX-11/21 Cordless Nurse Call Expander
- PAG-31 Caregiver Alert Pager
- ILB-11 Indication Light Box
- CMD-11 Central Monitor Display
- Protektor System



**Technical Specifications**

Operating frequency: 433.92 MHz  
Operating range: 50-100m (line of sight)  
Power supply: DC8~12V adapter or  
2 x AA alkaline batteries  
Battery life: 6-12 months  
Dimensions: 81 x 77 x 40mm  
Housing material: ABS  
Net weight: 100g (without batteries)  
Operating temp.: -10°C to 50°C  
Rel. humidity: <90%

**Standards**

EMC: EN 55032  
Radio: EN 300220-1&2,  
EN 301489-1&3  
Alarm: EN 50130-4  
Safety: EN 62328-1  
Medical Device  
Immunity: EN 60601-1-2  
Manufacture: ISO 9001:2015,  
ISO 13485:2016  
FCC Approved FCCID: WNG-PIR-21



## 2721 iBeam

The 2721 iBeam has a narrow detection beam which detects movement up to 6m\* away, and a wireless range of approx. 30m\*. Use in bedrooms, doorways, near stairs etc.

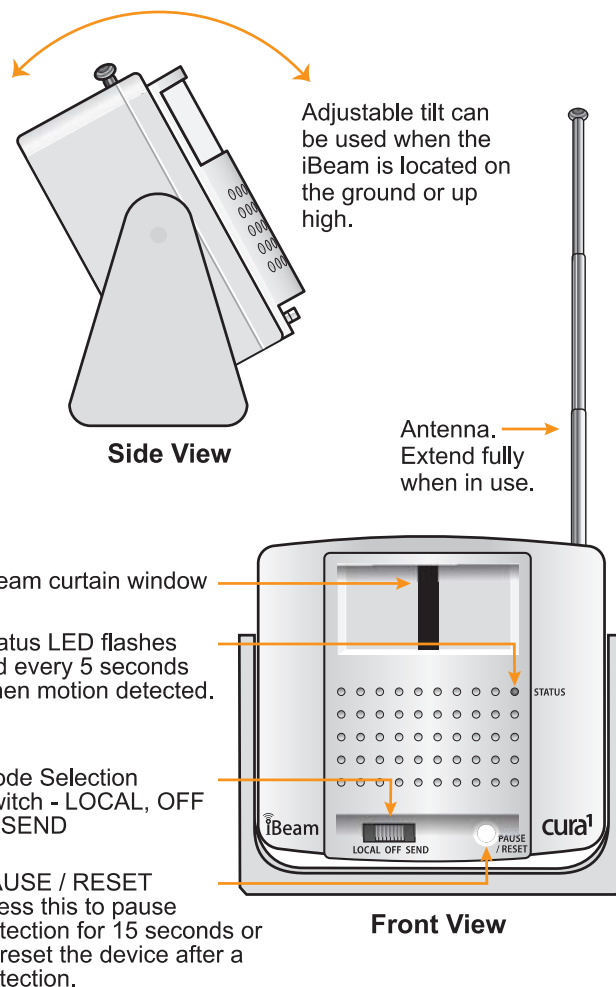
The narrow beam is especially useful if you have other people in the same room who do not require movement detection or where only a very specific area requires monitoring.

### Optional Accessories (Sold Separately)

2723 EzyStand, 3501 ActiveCare Pager, 3508 LED Pager, 2700 Six Channel Cordless Falls Monitor, 3500 ActiveCare Console, 2544 Cordless Multiport Expander, 2549 Cordless Multiport Expander Bracket Mount, 2404 Plug Pack

*\*The range of wireless devices and detection distance may vary and be dependent on your specific environmental conditions.*

*cura<sup>1</sup> products are designed to augment well designed care programs & practices, cura<sup>1</sup> does not claim that any of its products are suitable as a substitute, or as a total solution for individuals that require care and constant supervision & are at risk.*



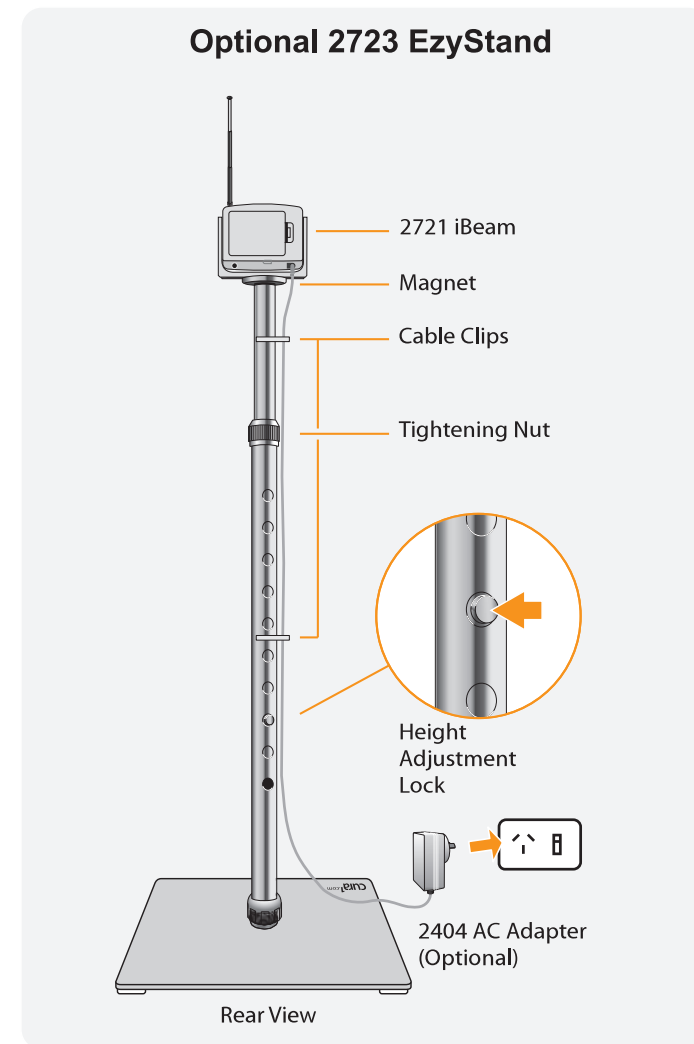
### Detaching the iBeam from it's mounting bracket

If you use screws to fix the iBeam bracket to a permanent position, you will need to separate the iBeam and bracket before you screw the bracket to a fixture.

To easily separate the iBeam from it's bracket:

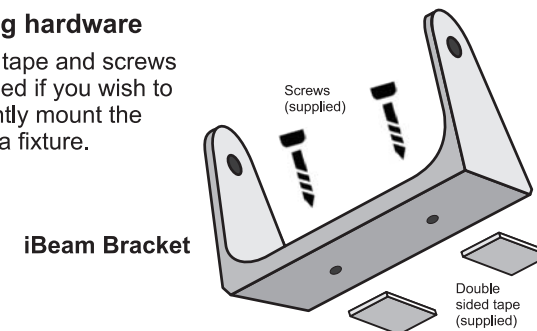
1. Rotate the iBeam in it's bracket 90 degrees so that it is facing the ceiling.
  2. Apply gentle pressure to one arm of the bracket so that the iBeam can easily pop out.
- 

### Optional 2723 EzyStand



### Mounting hardware

Mounting tape and screws are supplied if you wish to permanently mount the iBeam to a fixture.



# QUICK START GUIDE

2721 iBeam

## Step 1

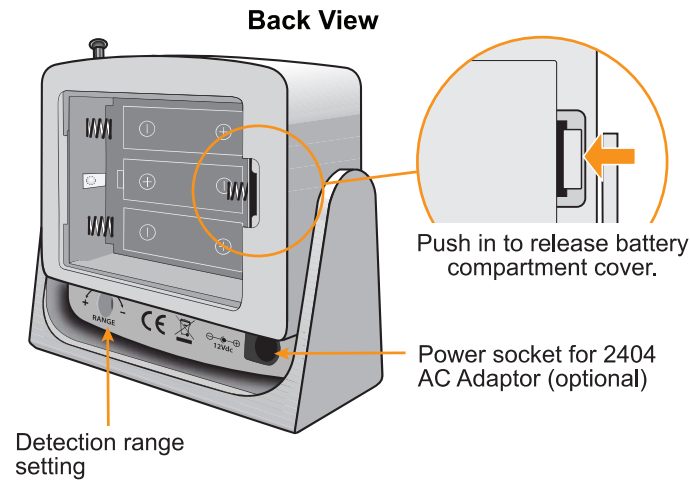
Insert 3 x AA alkaline batteries and / or connect the 2404 Plug Pack.

Ensure iBeam is switched OFF.

Release the battery compartment cover by pressing the compartment latch to the left and allowing it to lever open.

Insert 3 x AA batteries.

Connect a 2404 Plug Pack (optional) to the power socket on the back.



## Step 2

Configure for standalone operation.

If the iBeam is to be used without any wireless alarm device then move the Mode Selection Switch to the LOCAL position. In LOCAL Mode, iBeam will emit an audible alarm when it detects movement. Skip Step 3 and proceed to Step 4.

If the iBeam is to be used with a Pager or any other wireless device then skip this step and proceed to Step 3.

## Step 3

Pair the iBeam with receiving device/s (if used).

If the iBeam is to be used with a Pager (or any other compatible cura<sup>1</sup> wireless receiving device) then it needs to be paired with that device.

With the iBeam within range of the receiving device, put the receiving device into Programming Mode (for instructions please refer to the documentation that came with the receiving device).

To pair the iBeam with the receiving device, extend the antenna fully and slide the main switch from OFF to SEND.

The iBeam should now be paired with the receiving device.

Now turn OFF the iBeam while completing any further programming for other devices (if needed).

The iBeam can be paired with the following cura<sup>1</sup> devices:



## Step 4

Optional Mounting

While the 2721 iBeam can be used free-standing on a bedside table, or on the floor next to a bed, chair or door, it can also be fixed in position with the included mounting adhesive pads and / or the included screws. PTO for information about securing the iBeam to a fixture.

An optional EzyStand is also available which provides a sturdy, height-adjustable base that can be repositioned as needed.

## Step 5

Position iBeam for desired detection area.

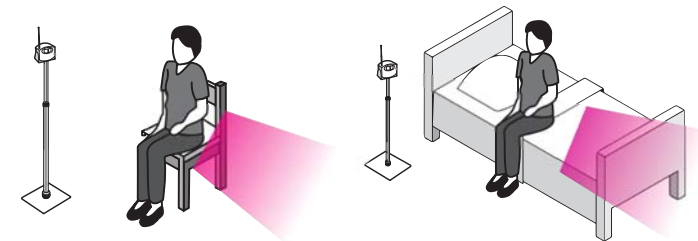
The 2721 iBeam has an extremely narrow detection beam allowing it to be positioned so that the detection area is very precise.

Use in bedrooms, doorways, near stairs etc. Some positioning suggestions are depicted below.

Turn on the iBeam and be sure to thoroughly **test before use**.

The LED illuminates red when movement is detected.

**IMPORTANT - When testing, please wait 15 seconds between activations.** After it detects movement, the iBeam is disabled for approximately 15 seconds before it can detect movement again. During this time the STATUS light will flash green rapidly.



The extremely narrow detection zone opens up many innovative usage possibilities, compared with a typical PIR sensor with a broad detection zone.

## Operation

LOCAL Mode - when movement is detected, iBeam will beep and the status light will flash red every 5 seconds until the RESET button is pushed.

SEND mode - when movement is detected, iBeam will transmit a signal to paired devices and the status light will be solid red for 15 seconds. iBeam will automatically reset itself.

**PIR-21 Product Specification**

V0.52

9/7/2020

**Reference Image**

Front



Back



Alarm/OFF/Sensor

Controls whether PIR is a local alarm, OFF, or wireless sensor

Sensitivity dial

Reset/Pause

Resets when set to Alarm, Pauses device for 15s in both settings

12V DC input on back

**Other**

- Lens shield Narrows detection angle to ~11 degrees
- LED (green/red) Red ON after trigger for 15s until PIR is ready to signal again  
Red to flash every 5s on low battery  
Green to flash every 15s as status indication
- Buzzer Allows unit to serve as local alarm
- 433MHz transmitter Allows unit to signal external alarm
- Battery compartment Uses 3 x AA alkaline batteries
- External antenna

**Function**

- Power ON **Buzzer** Buzzer beeps, Green LED flashes for 15s until ready to trigger
- PIR trigger Buzzer sounds for 1s on, 3s off repeatedly until reset. Red LED stays ON until reset
- Reset Buzzer stops, green LED flashes at 1s intervals to indicate pause is active
- Pause Green LED flashes at 1s intervals to indicate pause is active, will continue while caregiver remains in detection area (min 15s)
- Low battery Red LED flashes once every 5s with low level beep. Resettable, will return after 24hrs

**OFF**

- Transmit** Transmits 433MHz alarm for pairing, Green LED flashes for 15s until ready to trigger
- N/A **Transmits 433MHz signal to receiver.** Red LED stays ON for 15s until sensor ready to trigger again  
Transmits 433MHz signal to receiver. Green LED flashes at 1s intervals to indicate pause is active  
Green LED flashes at 1s intervals to indicate pause is active, will continue while caregiver remains in detection area (min 15s)  
Red LED flashes once every 5s with low level beep. Resettable, will return after 24hrs

# Rondish Company Limited

## Compatible Devices

CMEX-11/21

NGM-21/31

PAG-11/21/31

ILB-11


CMD-11

Protektor/SmartBeds

Nexus tablet

UNCG-31

Microphone stand

Marketing Approval: 

By: Michael Dunphy

Date: 12-8-2020

Caution:

This device complies with Part 15 of the FCC rules and Industry Canada license-exempt RSS standard(s). Operation is subject to the following two conditions: (1) this device may not cause harmful interference, and (2) this device must accept any interference received, including interference that may cause undesired operation.

The manufacturer is not responsible for any radio or TV interference caused by unauthorized modifications or change to this equipment. Such modifications or change could void the user's authority to operate the equipment.

This radio transmitter (identify the device by certification number or model number if Category II) has been approved by Industry Canada to operate with the antenna types listed below with the maximum permissible gain indicated. Antenna types not included in this list, having a gain greater than the maximum gain indicated for that type, are strictly prohibited for use with this device.

This equipment has been tested and found to comply with the limits for a Class B digital device, pursuant to part 15 of the FCC Rules. These limits are designed to provide reasonable protection against harmful interference in a residential installation. This equipment generates, uses and can radiate radio frequency energy and, if not installed and used in accordance with the instructions, may cause harmful interference to radio communications. However, there is no guarantee that interference will not occur in a particular installation. If this equipment does cause harmful interference to radio or television reception, which can be determined by turning the equipment off and on, the user is encouraged to try to correct the interference by one or more of the following measures:

- Reorient or relocate the receiving antenna.
- Increase the separation between the equipment and receiver.
- Connect the equipment into an outlet on a circuit different from that to which the receiver is connected.
- Consult the dealer or an experienced radio/TV technician for help.

The device has been evaluated to meet general RF exposure requirement.

To maintain compliance with FCC's RF exposure guidelines, this equipment should be installed and operated with a minimum distance of 20cm between the radiator and your body.