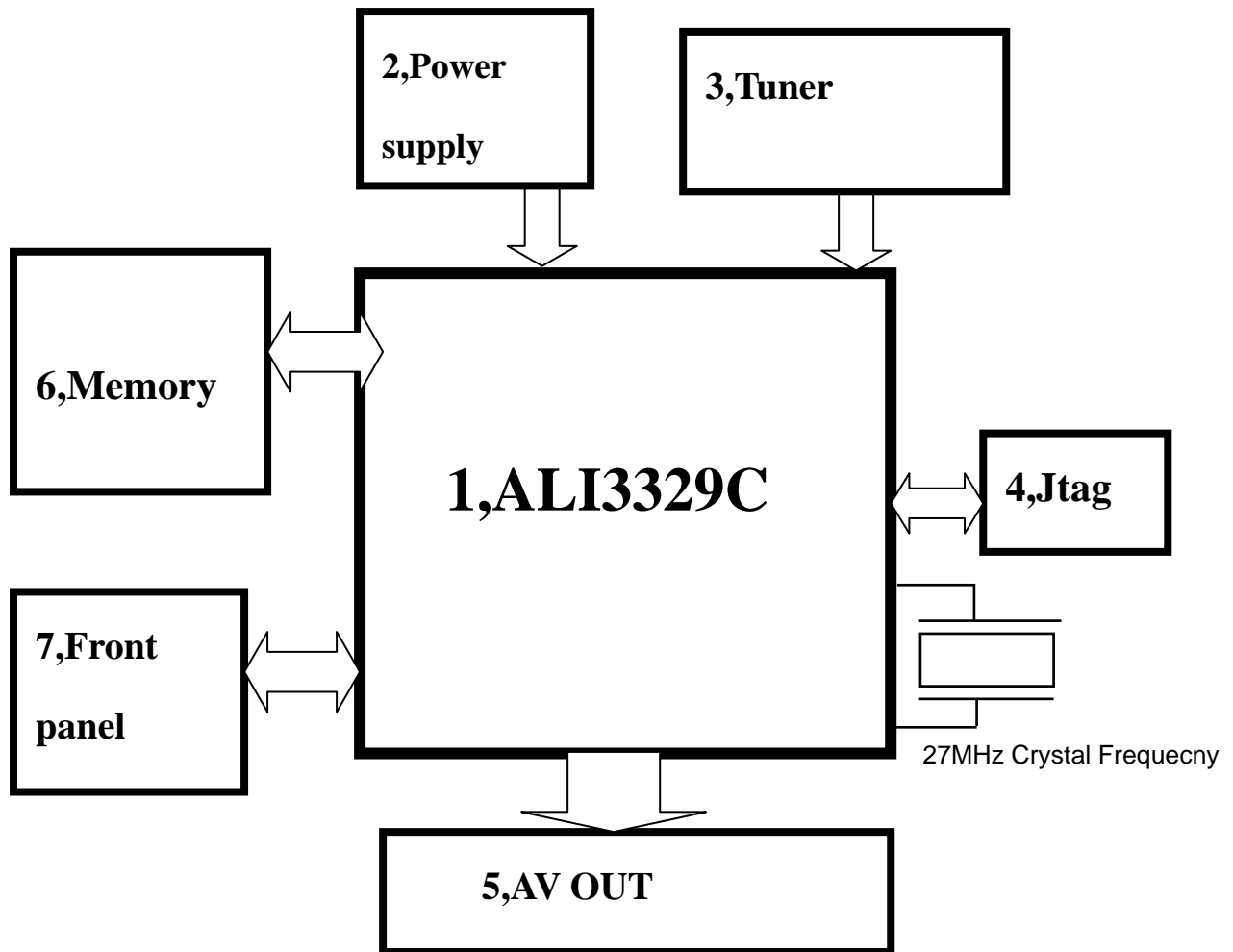


## Elements instruction:



**1, ALI3329C:** main chip ALI3329C.

**2, Power supply:** AC –DC power board

**3, Tuner:** Receive satellite signals .

**4, Jtag:** Jtag port for soft debug

**5, AV OUT:** audio and video output

**6, Memory:** Flash and Sdram, where software and datas are storied.

**7, Front panel:** Program information display and receive infrared signals.