

# 重要信息

Important Information

## 技术要求 (NOTES):

- 大小正确, 装配无误, 颜色正确;  
(Correct size, correct assembly and correct color)
- 丝印正确清晰, 无漏印, 印错, 无漏油;  
(The screen printing is correct and clear, without missing, misprinting and oil leakage)
- 无刮花, 水口剪的要齐, 无毛刺;  
(No scratches, the nozzle shall be cut flush and free of burrs)
- 原材料及后处理工艺均能满足ROHS和WEEE的要求。  
(Raw materials and the corresponding post processing should meet requirements defined in the ROHS and WEEE.)

## 丝印偏移标准

(Screen offset standard):

(单位unit: mm)

长度 (length) (L)	偏移距离 (Offset distance) (H)
L ≤ 3mm	-0.5mm ≤ H ≤ 0.5mm
L > 3mm	-0.8mm ≤ H ≤ 0.8mm

## 打样、做货、来料检验前务必阅读

Be sure to read before proofing, goods preparation and incoming inspection

## 注意 (NOTICE):

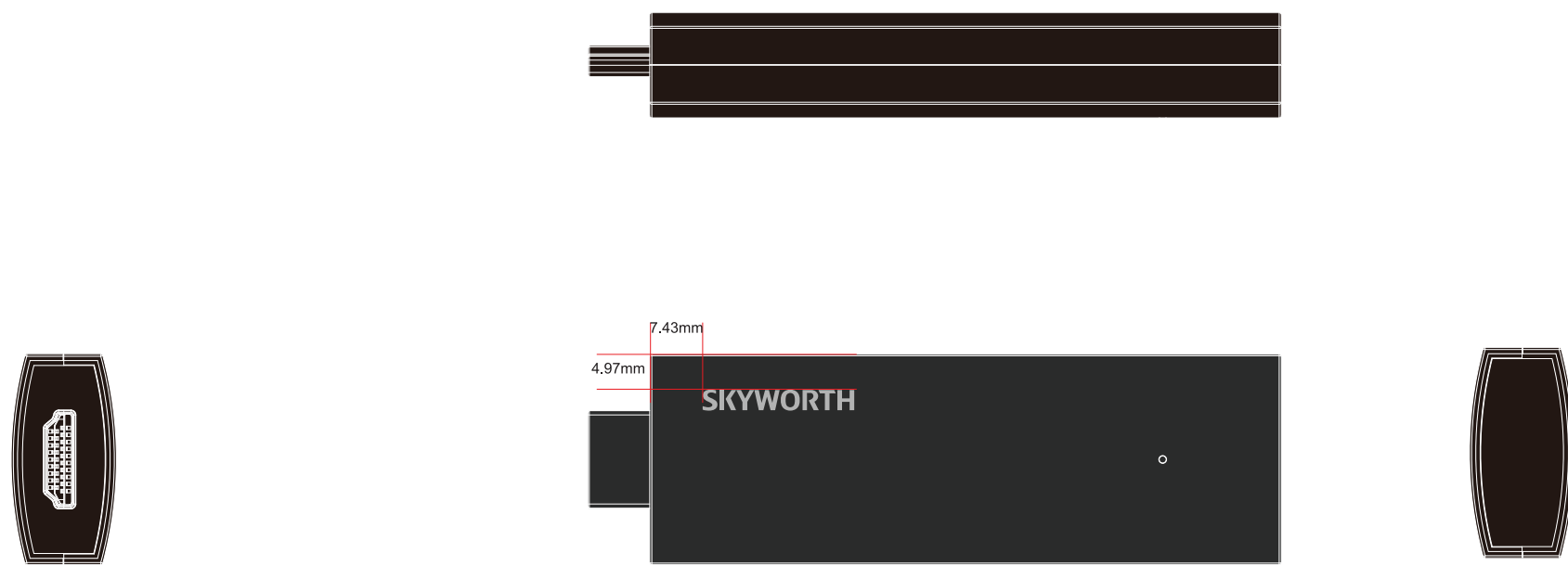
- 此设计图纸只针对客户化内容负责, 结构部分检验以中性素材封样件为准!  
(This artwork is only responsible for the customized content, and the inspection of the structure part is subject to the neutral material seal sample!)
- 内容正确性 (包括不限于内容、颜色、尺寸、字体大小) 以此份图纸为准!  
(The correctness of the content, including but not limited to the content / color / size / font size, shall be subject to this artwork!)
- 此图纸中印刷内容中的文本务必转曲, 否则不能进行打样!

## 打样变更记录:

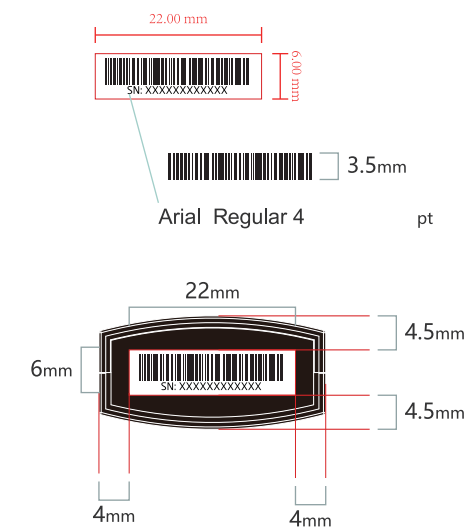
### Change Record:

- \_\_\_\_\_
- \_\_\_\_\_
- \_\_\_\_\_
- \_\_\_\_\_
- \_\_\_\_\_

SKYWORTH 创维		 此物料通过RoHS标准要求		 此物料通过Reach标准要求	
订单号 ORDER NO.		料号 Part No.			
名称 TITLE	78P	材质 Material	见素材图标注		
外观颜色 Appearance color	黑色	参考结构中件料号 Structure Ref.	上盖: 1002-00078P00-00 下盖: 1003-00078P00-00		
丝印颜色 Print Color	见标注	参考结构套图料号 Structure Ref.			
厂家 Manufacturer	立晶	设计 Designer	彭圆	日期 Date	2023/05/17
深圳创维数字技术有限公司		硬件加签 Hardware Engineer Audit:			
		认证加签 Certified Engineer Audit:			
		审核/Audit:			



上盖丝印颜色: PANTONE Cool Gray 5C



此处示意为贴纸的位置, 和打印示意, 仅供参考, 实际内容以订单为准

