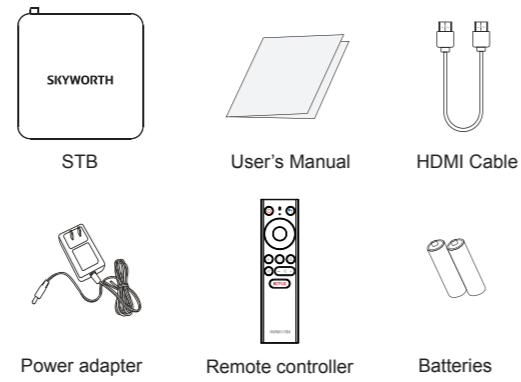


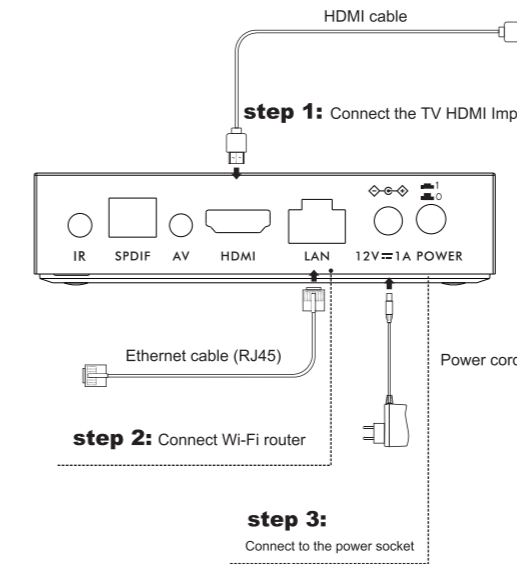
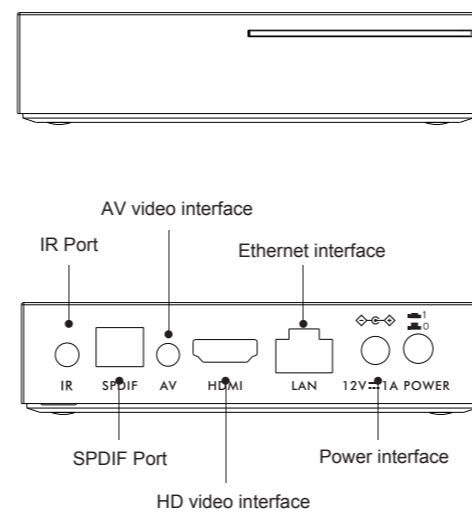
SKYWORTH

Packing details



DOLBY AUDIO™
Dolby, Dolby Audio and double-D symbol are trademarks of Dolby Laboratories.

How to install



FAQ's

- How can a consumer use the SuperNet Box to watch content?
Connect the SuperNet Box and the TV with HDMI. Plug the Box with a network cable. Follow the on-screen instructions to watch the content.
- How can the consumer check for the power supply to the box?
Please check if the power LED is on. If not, check for the power cord is connected properly, the contact is good and ensure the power socket is on.
- How can the consumer deal with the condition of no response, blank screen and abnormal display after the startup of the machine?
Please check if the HDMI is connected correctly and the signal source of TV is switched to HDMI mode.

FC Note: This equipment has been tested and found to comply with the limits for a Class B digital device, pursuant to part 15 of the FCC Rules. These limits are designed to provide reasonable protection against harmful interference in a residential installation. This equipment generates, uses and can radiate radio frequency energy and, if not installed and used in accordance with the instructions, may cause harmful interference to radio communications. However, there is no guarantee that interference will not occur in a particular installation. If this equipment does cause harmful interference to radio or television reception, which can be determined by turning the equipment off and on, the user is encouraged to try to correct the interference by one or more of the following measures:
—Reorient or relocate the receiving antenna.
—Increase the separation between the equipment and receiver.
—Connect the equipment into an outlet on a circuit different from that to which the receiver is connected.
—Consult the dealer or an experienced radio/TV technician for help.
This device complies with part 15 of the FCC Rules. Operation is subject to the following two conditions: (1) This device may not cause harmful interference, and (2) this device must accept any interference received, including interference that may cause undesired operation.
Changes or modifications not expressly approved by the party responsible for compliance could void the user's authority to operate the equipment.
The device is going to be operated in 5150-5250MHz frequency range. It is restricted indoor environment only.
FCC RF Radiation Exposure Statement Caution: To maintain compliance with the FCC's RF exposure guidelines, place the product at least 20cm from nearby persons.

SKYWORTH

Warranty bill (reserved by the user)

Name	
Address	
Phone No.	
Serial No.	
Purchase Date	
Invoice No.	
Name of the distributor	

(seal)

Noxious substance

The name of the component	The noxious substance or element					
	Pb	Hg	Cd	CR (VI)	PBB	PBDE
Enclosure subassembly	○	○	○	○	○	○
Mechanism subassembly	×	○	○	○	○	○
Power cord	○	○	○	○	○	○
Remote controller	○	○	○	○	○	○
Signal wire	×	○	○	○	○	○

○ : This symbol means that the content of the noxious substance in the homogeneous material of this part is below the limited requirement regulated by SJ/T11363-2006.
× : This symbol means that the content of the noxious substance in at least one of the homogeneous material of this part is more than the limited requirement regulated by SJ/T11363-2006.

Remarks: The noxious substance indicated by the symbol of × is limited by the technology developing level, which could not be replaced or reduced in the current time. This machine would not be harmful to the health of the consumer under the normal using condition.

Specifications

Product Name	4K OTT STB
Model	Leap-S1
OS	Android
RAM	2G
Flash	8G
Power	12V=1A
Working environment:	Working temperature: 0C --+45 C moisture: <90%
	Storage temperature: -20 C ---+45 C moisture: <95%

- Notice:**
- It is mandatory to use the power adapter in order to prevent damages caused due to voltage fluctuation.
 - There should be a clearance of 10 cm at least around the equipment. Do not cover it with the newspaper, etc.
 - No water should be dropped or splashed on the equipment. Containers filled with water, like the flower vase, should not be put near or on the machine.
 - Please keep the product away from the moist environment, solarization and high temperatures and away from the objects with Magnetic effect.
 - Please avoid the enclosure and the input being scratched, and avoid the damage caused by the impact of dropping and throwing.
 - Please do not dis-assemble this product arbitrarily. The repair work should be operated by the technician authorized by our company only.

Remote Control

