



Portable Air Mover

Operator's Manual



Portable Air Mover with Remote Control

Model No.

AM201R

FOR YOUR SAFETY

Read and understand this manual before use.

Keep this manual for future reference.



Suzhou Cleva Electric Appliance Co., Ltd.
NO.8 Ting Rong Street 215122 Suzhou, China

TABLE OF CONTENTS

SECTION	PAGE
Warranty.....	2
Important Safety Instructions.....	3
Grounding Instructions.....	5
Symbols.....	5
Know Your Product - Portable Air Mover.....	6
Operation.....	7
Maintenance.....	9
Troubleshooting.....	11
Exploded View & Parts List.....	12

Thank you for purchasing this Vacmaster® air mover. Feel confident that with Vacmaster® you are obtaining a high quality product engineered for optimal performance.

FOR YOUR SAFETY: CAREFULLY READ AND UNDERSTAND ALL INSTRUCTIONS.

WARRANTY

We take pride in producing a high-quality, durable product. This Vacmaster® product carries a limited two (2) year warranty against defects in workmanship and materials from date of purchase under normal household use. If product is to be used for commercial, industrial, or rental use, a 90 day limited warranty will apply. Please keep your receipt as proof of purchase. This warranty gives you specific legal rights, which may vary from state to state. For customer service please call 1-866-384-8432.

Not Covered by Warranty:

- Any part that has become inoperative due to misuse, negligence, direct/indirect abuse, accidents, improper maintenance, repairs, or alterations;
- Normal deterioration of the exterior finish due to use or exposure;
- Any product where serial number/data label is tampered with or removed;
- Any product purchased from an unauthorized retailer.

IMPORTANT SAFETY INSTRUCTIONS

READ AND UNDERSTAND ALL INSTRUCTIONS BEFORE USING THIS AIR MOVER.

Read and understand this operator's manual and all labels on the air mover before operating. Safety is a combination of common sense, staying alert, and knowing how the air mover works. Use this air mover only as described in this manual.

SAVE THIS MANUAL FOR FUTURE REFERENCE.

 **WARNING:** TO REDUCE THE RISK OF FIRE, ELECTRIC SHOCK, OR INJURY:

- Do not run air mover unattended.
- Do not use this air mover near flammable liquids, gases, or explosive vapors like gasoline or other fuels, lighter fluids, cleaners, oil-based paints, natural gas, hydrogen, or explosive dusts like coal dust, magnesium dust, grain dust, or gun power. Sparks inside the motor can ignite flammable vapors or dust.
- Use only with GFCI-protected outlets.
- Do not use an extension cord with this air mover.
- Do not use with a solid state speed control device.
- Do not expose to rain. Store indoors.
- Do not handle the plug or air mover with wet hands.
- Do not unplug by pulling on cord. To unplug, grasp the plug, not the cord.
- Do not pull or carry by cord, use cord as handle, close a door on cord, or pull cord around sharp edges or corners.
- Do not use with a damaged cord, plug, or other parts.
- If air mover is not working as it should, or has been dropped, damaged, left outdoors, or dropped into water, take it to a service dealer for inspection and repair before using it again.
- To reduce the risk of health hazards from vapors or dusts, do not use or store near toxic or hazardous materials.
- Never operate this air mover with intake grills removed.
- Do not run cord under carpeting. Do not cover cord with rugs, runners, or other coverings. Do not route cord under furniture or appliances. Direct cord away from traffic areas where it will not be tripped over.
- Do not put any object into intake openings. Do not operate air mover with any intake openings blocked.
- Do not allow to be used as a toy. Close attention is necessary when used by or near children.
- Direct air discharge at work area only; do not direct air at bystanders.
- Do not leave air mover unattended when plugged in.
- Turn off air mover before unplugging.
- Keep hair, loose clothing, fingers, and all parts of body away from openings and moving parts.



CAUTION:

- For dusty jobs, wear a dust mask.
- Do not move or carry the air mover while it is operating.
- Only operate on a level, stable surface to prevent the air mover from falling and potentially causing injury or damage to the unit or property.

FCC COMPLIANCE

This device complies with Part 15 of the FCC Rules. Operation is subject to the following two conditions:

- This device may not cause harmful interference, and
- This device must accept any interference received, including interference that may cause undesired operation.



CAUTION: Any changes or modifications not expressly approved by the party responsible for compliance could void the user's authority to operate the equipment.

NOTE: This equipment has been tested and found to comply with the limits for a Class B digital device, pursuant to part 15 of the FCC Rules. These limits are designed to provide reasonable protection against harmful interference in a residential installation.

This equipment generates, uses and can radiate radio frequency energy and, if not installed and used in accordance with the instructions, may cause harmful interference to radio communications. However, there is no guarantee that interference will not occur in a particular installation.

If this equipment does cause harmful interference to radio or television reception, which can be determined by turning the equipment off and on, the user is encouraged to try to correct the interference by one or more of the following measures:


- Reorient or relocate the receiving antenna.
- Increase the separation between the equipment and receiver.
- Connect the equipment into an outlet on a circuit different from that to which the receiver is connected.
- Consult the dealer or an experienced radio/TV technician for help.


READ AND SAVE THESE INSTRUCTIONS

GROUNDING INSTRUCTIONS

This air mover must be grounded. If it should malfunction or breakdown, grounding provides a path of least resistance for electric current to reduce the risk of electric shock. The plug must be inserted into an appropriate GFCI outlet that is properly installed and grounded in accordance with all local codes and ordinances.




This air mover is for use on a nominal 120-volt circuit, and has a grounded plug. The air mover should not be plugged into an outlet if it is not grounded and equipped with GFCI-equipped outlet. Please consult a qualified electrician if there is a question on whether an outlet is GFCI-equipped. Do not use with an extension cord.

 **CAUTION: RISK OF ELECTRIC SHOCK. THIS AIR MOVER IS SUPPLIED WITH A GROUNDING CONDUCTOR AND GROUNDING-TYPE ATTACHMENT PLUG. TO REDUCE THE RISK OF ELECTRIC SHOCK, BE CERTAIN THAT IT IS CONNECTED ONLY TO A GFCI-EQUIPPED, PROPERLY GROUNDED, GROUNDING-TYPE RECEPTACLE.**

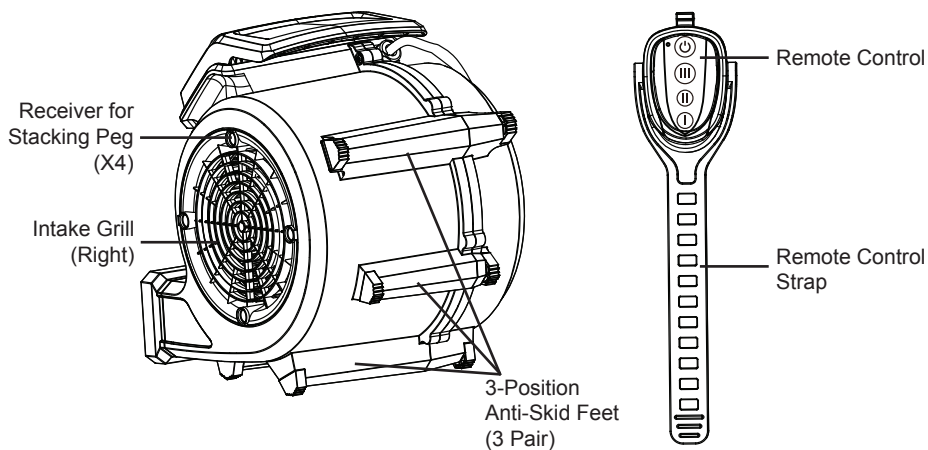
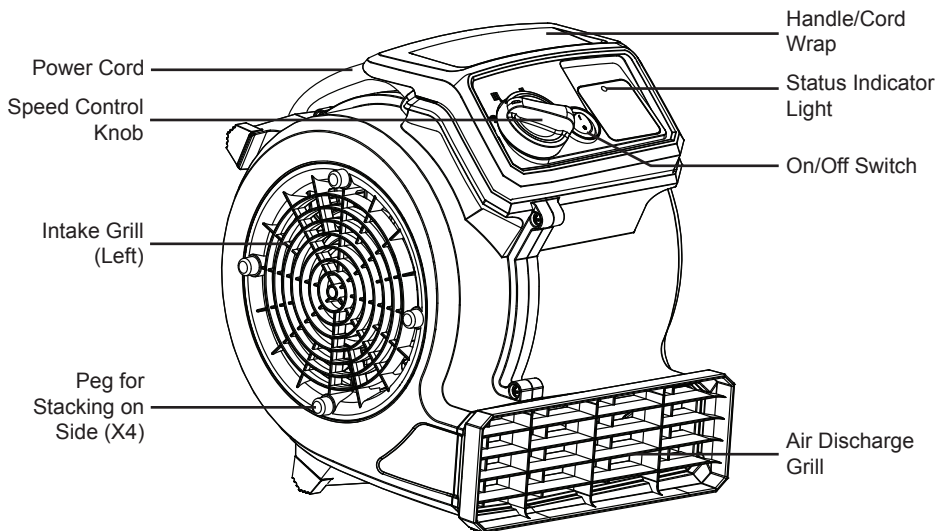
 **WARNING: CHECK WITH A QUALIFIED ELECTRICIAN OR SERVICE PERSON IF YOU ARE IN DOUBT AS TO WHETHER THE OUTLET IS PROPERLY GROUNDED. DO NOT MODIFY THE PLUG PROVIDED WITH THE APPLIANCE. IF IT WILL NOT FIT THE OUTLET, OR IF THE OUTLET IS NOT GFCI EQUIPPED, HAVE A PROPER GROUNDED, GFCI OUTLET INSTALLED BY A QUALIFIED ELECTRICIAN.**

SYMBOLS

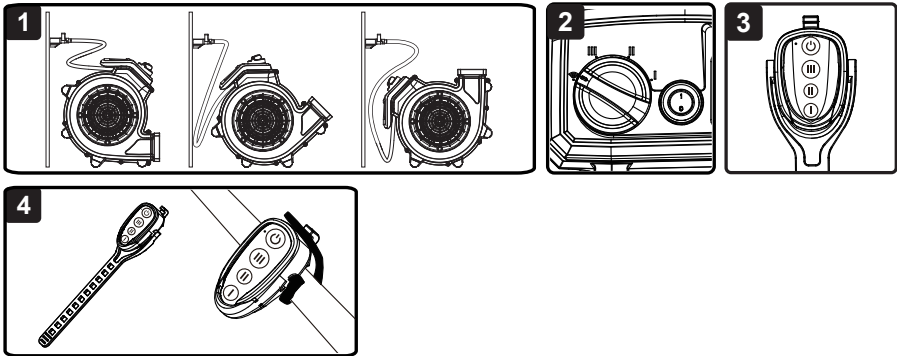
The following signal words and meanings are intended to explain the levels of risk associated with this product.

SYMBOL	SIGNAL	MEANING
	DANGER	Indicates an imminently hazardous situation, which, if not avoided, will result in death or serious injury.
	WARNING	Indicates a potentially hazardous situation, which, if not avoided, could result in death or serious injury.
	CAUTION	Indicates a potentially hazardous situation, which, if not avoided, may result in minor or moderate injury.
	NOTICE	(Without Safety Alert Symbol) Indicates a situation that may result in property damage.

KNOW YOUR PRODUCT - PORTABLE AIR MOVER





OPERATION

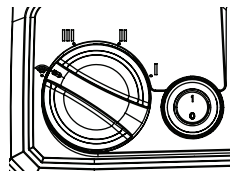


GENERAL USE INSTRUCTIONS

! WARNING: BE SURE TO READ, UNDERSTAND, AND APPLY ALL THE INFORMATION IN THE IMPORTANT SAFETY INSTRUCTIONS SECTION AT THE BEGINNING OF THIS OPERATOR'S MANUAL. DO NOT OPERATE IN AREAS WITH FLAMMABLE GASES, VAPORS, OR EXPLOSIVE DUSTS IN THE AIR. FLAMMABLE GASES OR VAPORS INCLUDE BUT ARE NOT LIMITED TO: LIGHTER FLUID, SOLVENT TYPE CLEANERS, OIL-BASED PAINTS, GASOLINE, ALCOHOL, OR AEROSOL SPRAYS. EXPLOSIVE DUSTS INCLUDE BUT ARE NOT LIMITED TO: COAL, MAGNESIUM, GRAIN, OR GUN POWDER. TO REDUCE THE RISK OF HEALTH HAZARDS FROM VAPORS OR DUST, DO NOT USE AROUND TOXIC MATERIALS.

1. Verify that the on/off switch is set to "0" OFF and the power cord is unplugged.
2. Place the air mover in the desired position on a flat and stable surface. Ensure there is at least a foot of clearance on each side of the air mover. Avoid placing the air mover where loose fabric, sheets, or other objects can get pulled onto the intake grills.
3. Direct air mover at the designated target area, using one of the operational positions (Fig. 1).
4. Plug in the air mover to a suitable power outlet.
5. Press the on/off switch to "I" ON position.
6. When the speed control knob is positioned at either I, II or III, the air mover will begin to operate at the desired speed. The indicator light on air mover will illuminate green.
7. To change to desired speed, switch the knob between the three positions.
8. When the speed control knob is located at  position, the remote control mode is engaged. For remote control operation, refer to the Remote Control Mode section.
9. When finished with use, press the on/off switch to "0" OFF position and unplug the power cord from the outlet. See page 10 for storage instructions.





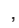

Position	Status
I	Low
II	Medium
III	Maximum
	Remote Control Mode



⚠ WARNING: Do not stack air movers vertically during operation. To reduce risk of overheating or overload, ensure area around intake grills are clear to allow for unobstructed air flow.




REMOTE CONTROL MODE

NOTE: The remote control supplied with your air mover is already pre-set and does not require pairing upon first use. The remote control can be used directly to operate the air mover in remote control mode.




1. Switch the speed control knob to the  position (Fig. 2). Press the on/off switch on the air mover to "I" ON position. The air mover is in standby mode. The indicator light will illuminate red.
2. Press the  button on the remote control to start the air mover. The air mover will automatically start in the lowest speed setting. The indicator light on air mover will illuminate green. To change to desired speed, press the , , or  button as necessary (Fig. 3).
3. The air mover can also be started by pressing the desired speed setting on the remote control initially.
4. Press the  button again to return the air mover into standby mode. The indicator light will illuminate red.
5. To turn off the air mover, press the on/off switch to "0" OFF position.

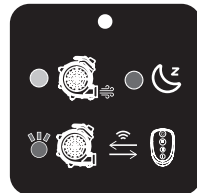
PAIRING A REMOTE CONTROL WITH YOUR AIR MOVER

If a replacement remote control is used, or the current remote control is not able to operate the air mover, reset the remote control by following the instructions below:

1. Ensure the air mover is in the "0" OFF Position.
2. Switch the speed control knob to the  position.
3. Restart the air mover by pressing the on/off switch to "I" ON position.
4. Within the first 5 seconds, immediately press the  button on the remote control. The indicator light will flash red until the  button is released.

The indicator light on air mover shows the status as below:

Symbols	Indicator Light	Status
	Green, Continuous	Operational
	Red, Continuous	Standby
	Red, Flashing	Pairing/Receiving instructions

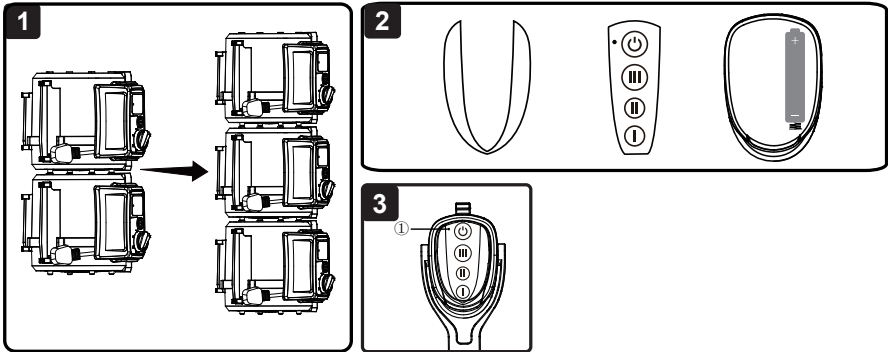


AFFIXING REMOTE CONTROL STRAP

The remote control can be conveniently stored on the included strap.

1. Place the remote control unit into the holder within the strap. Remote control should sit securely.
2. The strap can be attached to the handle of an exercise machine (ex. stationary bike or treadmill). To secure the strap, loop the strap around the handle of the exercise machine and secure the locking tab into an available slot (Fig. 4).

MAINTENANCE



⚠ WARNING: DO NOT STORE OUTDOORS. STORE IN A DRY ENVIRONMENT, AWAY FROM HAZARDOUS MATERIALS, SUCH AS TOXIC, CARCINOGENIC, FLAMMABLE, OR EXPLOSIVE SUBSTANCES.

⚠ CAUTION: TO PREVENT DAMAGE TO AIR MOVER, PROPERTY DAMAGE, OR PERSONAL INJURY: DO NOT STACK MORE THAN THREE UNITS HIGH. STACK ONLY ON A STABLE, LEVEL, EVEN SURFACE. DO NOT TRANSPORT STACKED UNITS UNLESS THEY ARE BRACED ON ALL SIDES.

⚠ CAUTION: DO NOT TURN ON THE AIR MOVER WHILE IT IS STACKED. THE STACKING PEGS ARE FOR STORAGE PURPOSES ONLY.

MAINTENANCE BEFORE & AFTER EACH USE

1. Inspect the plug and the power cord to ensure that it has not been damaged during operation or between uses. If the plug or cord is damaged, do not use the air mover and replace the damaged part immediately.
2. Check the air intake and air discharge grills and make sure they are free of any blockages.

CORD STORAGE

1. Before storing the air mover, ensure the on/off switch is turned to the "0" OFF position, and unplug the unit from the power outlet.
2. Wrap the power cord around the base of the handle.

STORING THE AIR MOVER

To conserve space while storing multiple units, this air mover can be stacked together with multiple additional units (Fig. 1).

To stack, the pegs on the intake grill on the side of the unit must be inserted into the peg receiver on the opposite side of the partner unit.

REPLACING THE REMOTE CONTROL BATTERY

NOTE: The remote control contains small parts. Be careful when replacing the battery and ensure all maintenance is completed on a flat and stable surface.

1. Locate the 3 screws on the rear of the remote control. Carefully remove these screws and keep them in a safe place.
2. Remove the rear casing to access the battery. Take out the PCB board and battery (Fig. 2).
3. Replace the battery with a suitable 27A 12V battery cell. Ensure the positive and negative battery connections are correctly positioned (Fig. 2).
4. Insert the PCB board and battery back into the casing and secure in place by retightening the screws provided.



CAUTION: Check that the new battery is installed correctly by pressing a button on the remote control. The indicator light (①) should illuminate RED (Fig. 3).



WARNING: Ensure that the unit is never operated without the intake grills, air discharge grill, and impeller.

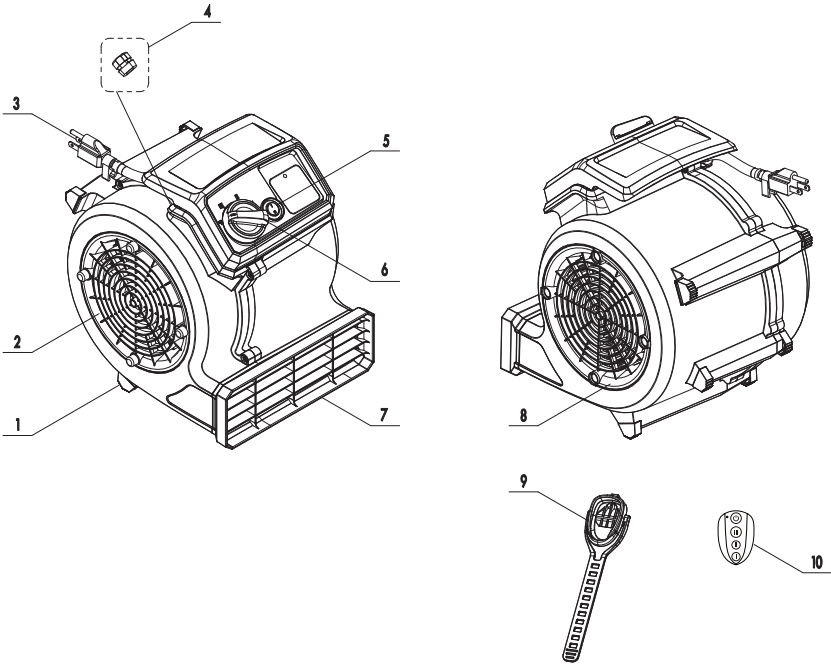
TROUBLESHOOTING



WARNING: TO REDUCE THE RISK OF ELECTRIC SHOCK, UNPLUG BEFORE TROUBLESHOOTING.

PROBLEM	POSSIBLE CAUSE	SOLUTION
The air mover will not operate.	No power supply.	Check the power supply, cord, breakers, and fuses.
	Faulty power cord.	Unplug and check the power cord. If damaged, have it repaired by qualified personnel or contact the after sales helpline.
	On/off switch in the wrong position.	Move the switch to the "I" ON position.
	The on/off switch is faulty.	Have the switch replaced by qualified personnel or contact the after sales helpline.
The air mover runs but makes loud scraping noise.	Damage to the unit has caused deformed housing or misaligned centrifugal fan.	Replace the air mover.
The air mover runs but centrifugal fan does not rotate.	The centrifugal fan and housing are jammed.	Replace the air mover.
	There is a problem with the switch or capacitor.	
The air mover runs but with excessive vibration.	The centrifugal fan has dirt build up.	Have the air mover inspected by qualified personnel or contact the after sales helpline.
	The centrifugal fan is damaged or the motor is bent.	Replace the air mover.
The remote control will not operate.	The remote control is not paired with the air mover.	Reset the remote control following the instructions on page 8.
	The battery is dead.	Replace the battery or remote control.
	The remote control is damaged.	Replace with a new remote control.
The status light on the remote control no longer illuminates when pressed.	The battery is dead.	Replace the battery or remote control.
	The remote control is damaged.	Replace with a new remote control.

EXPLODED VIEW & PARTS LIST



Part	Drawing Number	Description	Quantity
1	251002118	Rubber Foot	8
2		Intake Grill (Left)	1
3		Power Cord	1
4		Cord Grommet	1
5		Speed Control Knob	1
6		ON/OFF Switch	1
7	251002117	Air Discharge Grill	1
8		Intake Grill (Right)	1
9	251012112	Remote Control Holder	1
10	251012113	Remote Control	1