

# Declaration

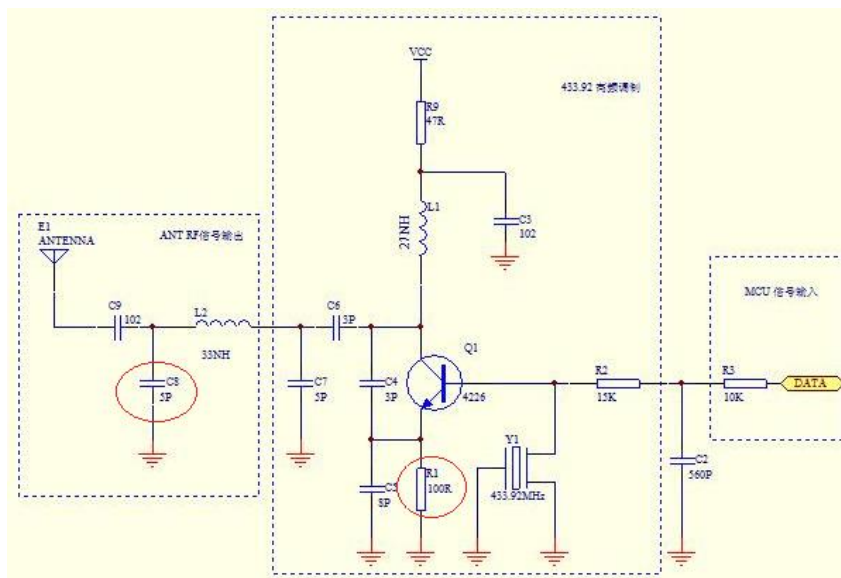
We, **Suzhou Cleva Electric Appliance Co., Ltd.** declare

Our company's project

## Remote Controller (KL-RC01A)

Have these modifications to the original product and report:

- 1: Change the value of C8 from 5pF to 7pF
- 2: Change the value of R1 from 100Ω to 2kΩ



The above-mentioned statements of our company are totally true. If false, we will bear corresponding liability.

Company: Suzhou Cleva Electric Appliance Co., Ltd.

Name: Will Zhou

Title: General Manager

Date: August 15, 2016

Sign: